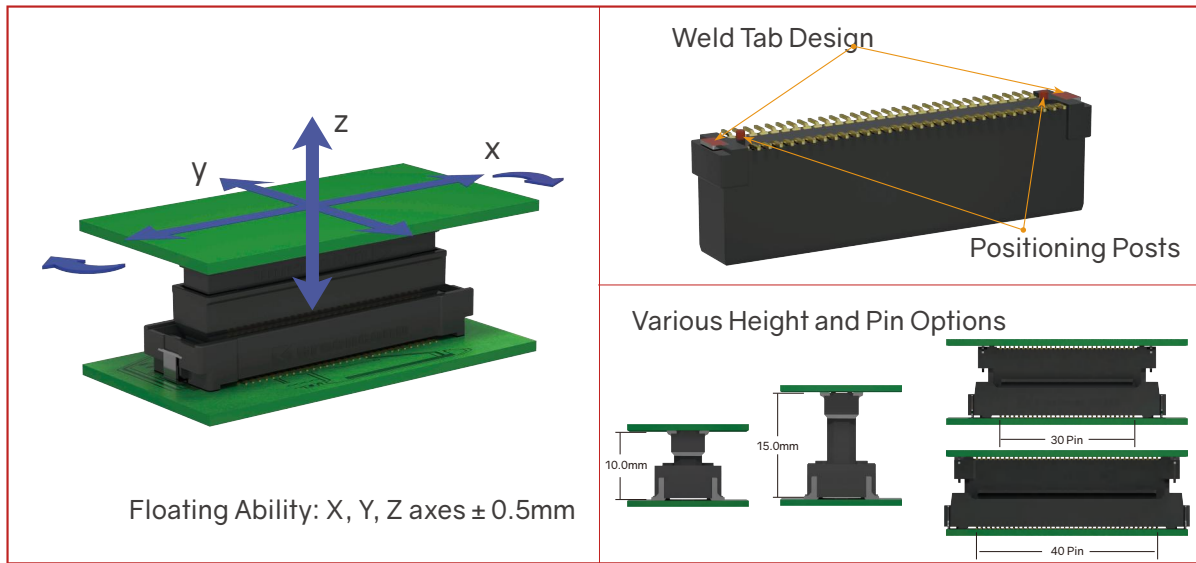


Floating Connector

Board-to-Board

Male and Female / Floating side and fixed side

| Characteristics



Advantages of Floating Connectors:

- Conducive to automated production, saving labor costs
- Effectively solves the problem of misalignment caused by having multiple connectors on one board
- Eliminate stress during assembly and pairing processes, creating high reliability
- The floating characteristic helps increase the tolerance of the overall circuit board and reduces the difficulty of production

浮动连接器的优势:

- 有助于自动化生产, 节省人工成本
- 有效解决了因单板上有多多个连接器导致的错位问题
- 消除装配和配对过程中的应力, 确保高可靠性
- 浮动特性有助于增加整个电路板的容差, 降低生产难度

Features of Floating Connectors:

- X and Y axes have a certain distance of movement in the axial direction
- Weld tab design to strengthen the welded connection
- Positioning posts prevent misalignment when soldering onto PCB boards
- Various height and pitch combinations to choose from
- Available in Tape Reel packaging for automation

浮动连接器的特点:

- X和Y轴在轴向方向上有一定距离的移动
- 焊接片设计可加强焊接连接
- 定位柱在焊接到PCB板上时防止错位
- 可选择多种高度和间距组合
- 提供适合自动化的卷带包装

Floating Connector Material:

- Insulation Material: LCP
- Contact Material: Copper Alloy
- Electroplating Layer: Bottom Layer-Nickel, Surface Layer-Gold or Tin

浮动连接器材料:

- 绝缘材料: LCP (液晶聚合物)
- 接触材料: 铜合金
- 电镀层: 底层-镍, 表层-金或锡

| Specifications

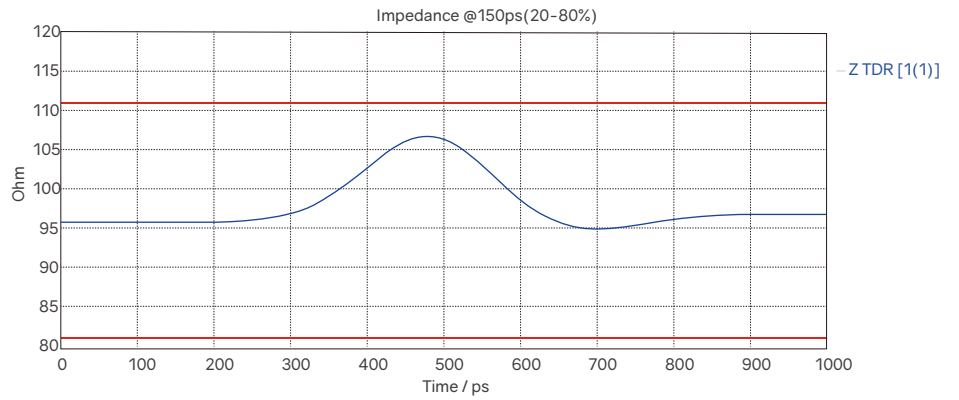
Items 项目	Specifications 规范			Conditions 条件
	Pitch: 0.50mm	Pitch: 0.635mm	Pitch: 0.80mm	
Rated Current 额定电流	0.4A/Pin	0.5A/Pin	0.5A/Pin	
Rated Voltage 额定电压	According to the actual situation 根据实际情况			
Operating Temperature 工作温度	-40°C to 105°C			
Contact Resistance 接触电阻	≤ 100mΩ			
Insulation Resistance 绝缘电阻	≥ 500MΩ			
Withstand Voltage 耐压	AC 250V			EIA-364-20: 1 min
Current Temperature Rise 当前温度上升	ΔT ≤ 30°C			EIA-364-70
Mechanical Vibration 机械振动	Instant Rupture <1μs 即时破裂<1μs			EIA-364-28: Test conditions according to product specification
Mechanical Shock 机械冲击	Instant Rupture <1μs 即时破裂<1μs			EIA-364-27: Test conditions according to product specification
Durability 持久力	30 mating cycles 30次插拔	100 mating cycles 100次插拔		EIA-364-09
Retention Force 保持力	≥ 1N/Pin			
Insertion Force 插入力	According to product specification 根据产品规格			
Preservative 防腐剂				EIA-364-26: 35±2°C, 5% salt solution, Gold: 48H, Tin: 8H
Temperature and Humidity Control 温度和湿度控制				EIA-364-31: 40±2°C, 90-95% RH, 96H
Thermal Shock 热冲击	Impedance ≤ 120mΩ 抗阻 ≤ 120mΩ			Condition: -40°C to 105°C, Test method according to product specification
Temperature Life (High Temperature) 温度寿命 (高温)				Condition: -105±2°C, Test method according to product specification
Soldering Heat Resistance 焊接耐热性	260±5°C			EIA-364-56: 5-15 seconds

| Floating S-Parameters 浮动 散射参数

Impedance:

阻抗:

$100\Omega \pm 15\Omega$ @150ps(20-80%)

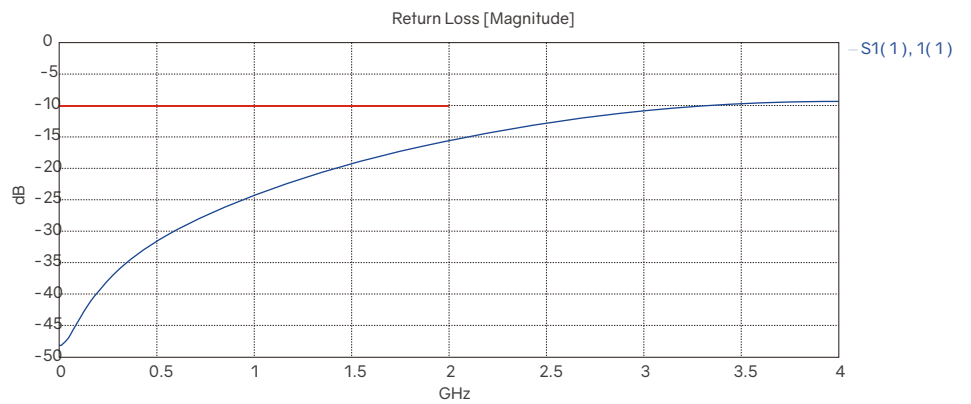


Return Loss:

返回损耗:

less than -10dB up to 2GHz

小于-10dB 不超过 2GHz

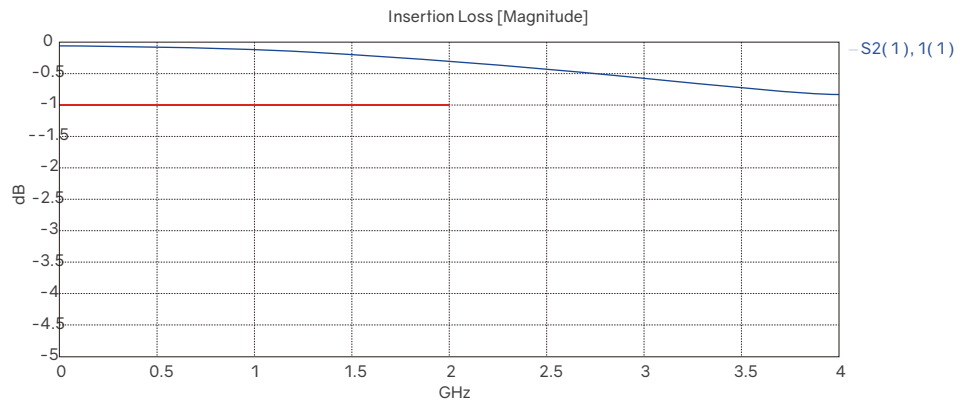


Insertion Loss:

插入损耗:

greater than -1dB up to 2GHz

大于-1dB 不超过2GHz

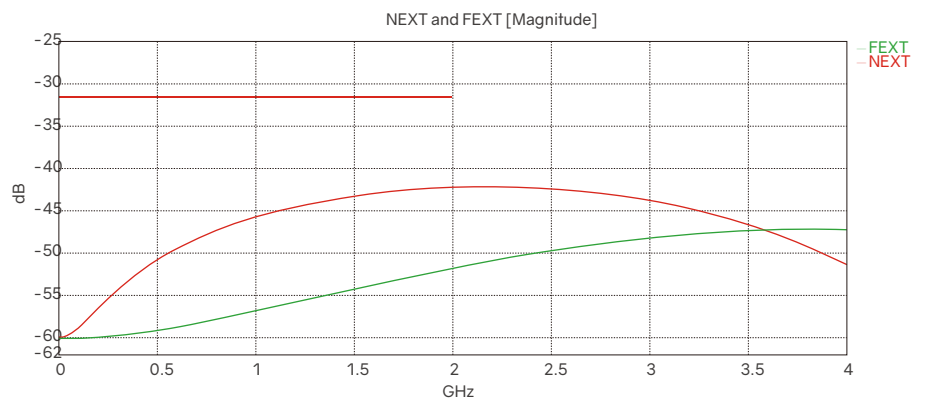


NEXT and FEXT:

近端和远端串扰:

less than -32dB up to 2GHz

小于-32dB 不超过 20GHz



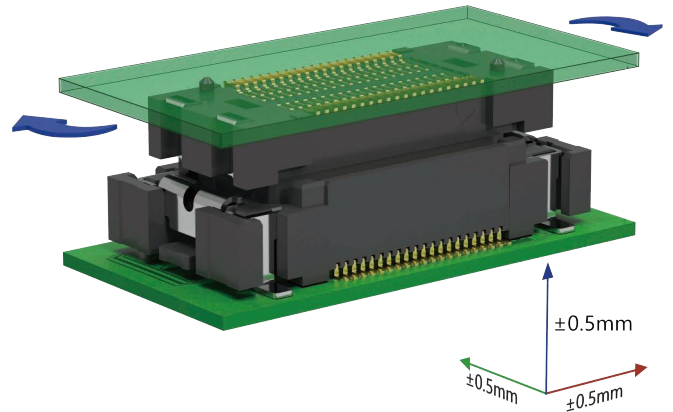
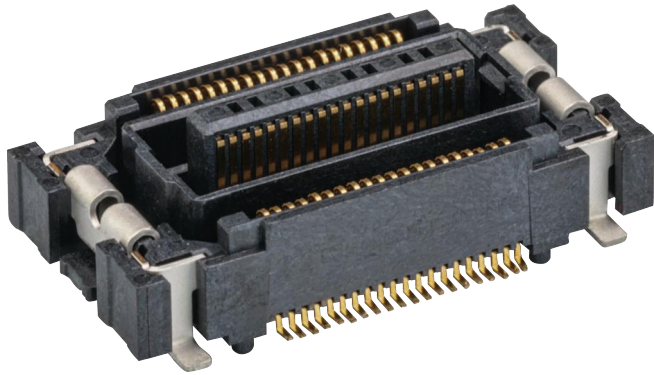
0.50 mm

CFLT-XX-V00X-MS

SERIES

FLOATING SIDE

S.M.T.



PRODUCT SPECIFICATIONS

Current Rating	0.4 Amp / Pin
Contact Resistance	100 mΩ Max
Dielectric Withstanding Voltage	250VAC/60S
Insulation Resistance	500 MΩ Min.
Operating Temperature	-40°C to + 105° C

ORDERING INFORMATION

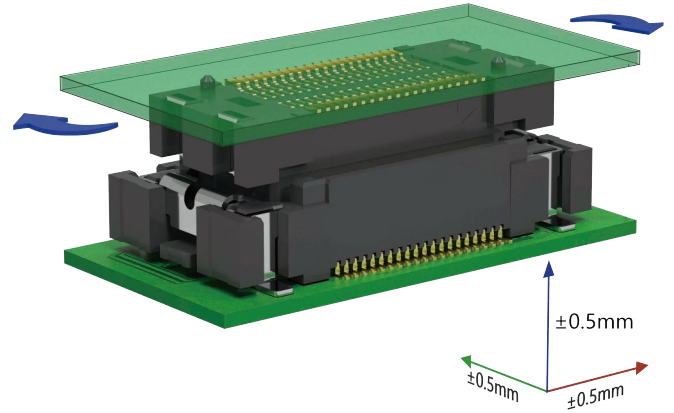
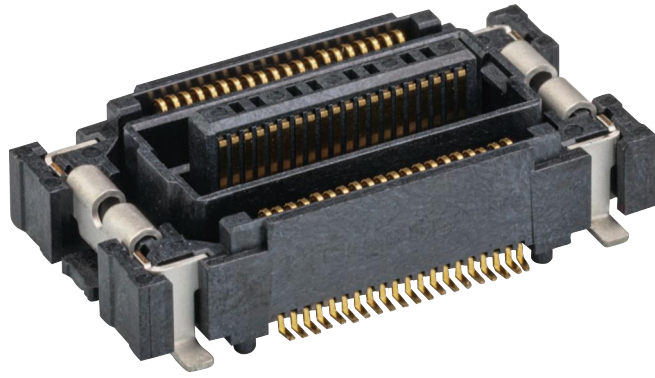
CFLT	-	XX	V00X	M	S
		No. of Pins per Row	Short Spersification Code	Pin Shape	Packing
		30 40		SMT, Straight	Reel + Pad

0.50 mm
CFLT-XX-V00X-MS
 SERIES

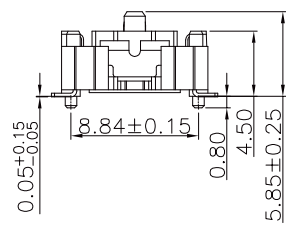
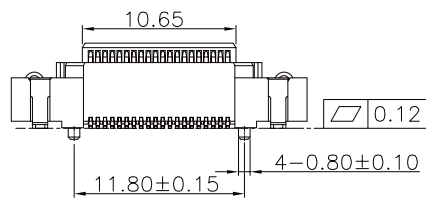
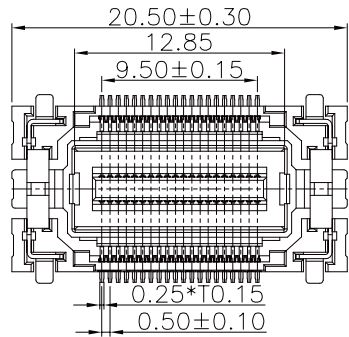


FLOATING SIDE

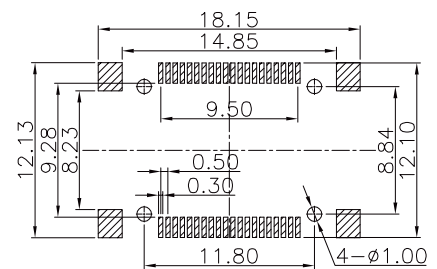
S.M.T.



DIMENSION DRAWINGS



Recommended P.C.Board
 Layout
 (Tolerance : ±0.05)



Mates with

Serial No.	Mating Height	Page
CLFT-XX-V01X-MQ	7.2-9.4mm	6

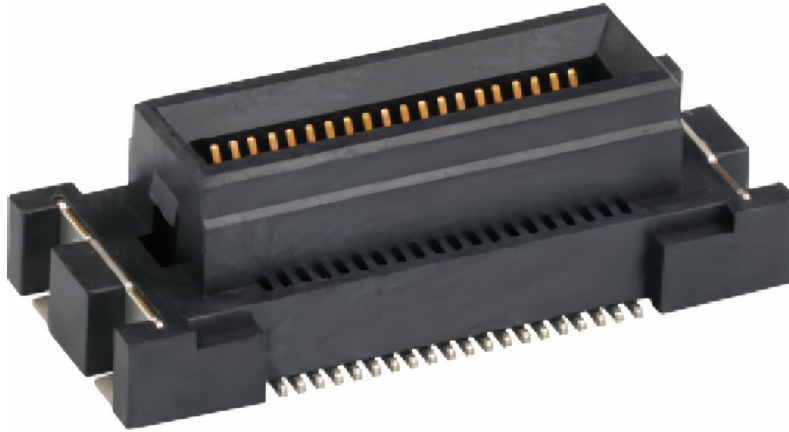
0.50 mm

CFLT-XX-V01X-MQ

SERIES

FIXED SIDE

S.M.T.



PRODUCT SPECIFICATIONS

Current Rating	0.4 Amp / Pin
Contact Resistance	100 mΩ Max
Dielectric Withstanding Voltage	250VAC/60S
Insulation Resistance	500 MΩ Min.
Operating Temperature	-40°C to + 105° C

ORDERING INFORMATION

CFLT	-	XX	V01X	M	Q
		No. of Pins per Row	Short Spersification Code	Pin Shape	Packing
		30 40		SMT, Straight	Reel + Mylar

0.50 mm

CFLT-XX-V01X-MQ

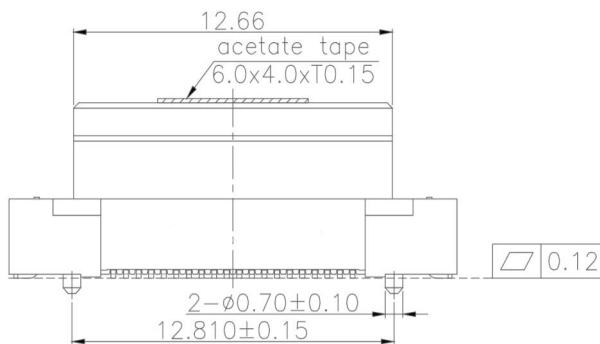
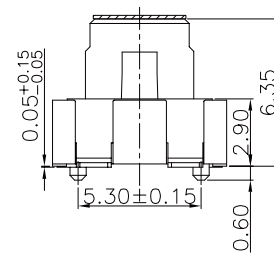
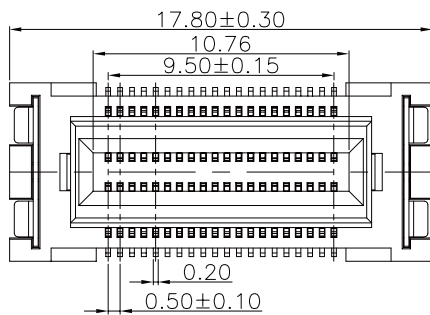
SERIES

FIXED SIDE

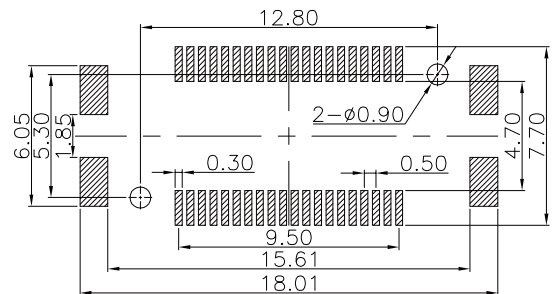
S.M.T.



DIMENSION DRAWINGS



Recommended P.C.Board
Layout
(Tolerance : ±0.05)



Mates with

Serial No.	Mating Height	Page
CFLT-XX-V00X-MS	7.2-9.4mm	4

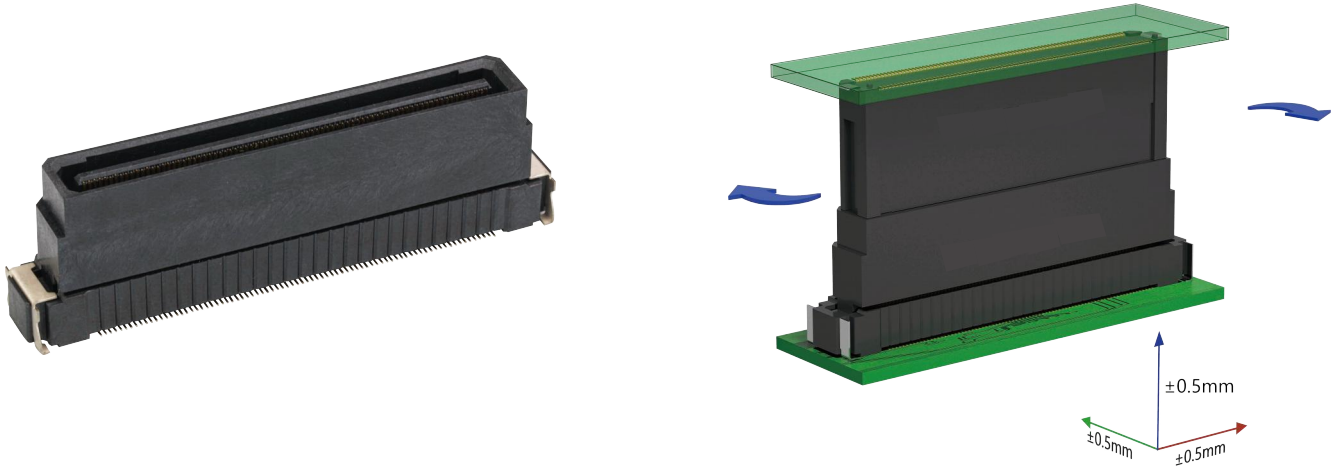
0.50 mm

CFLT-XX-V02X-MQ

SERIES

FLOATING SIDE

S.M.T.



PRODUCT SPECIFICATIONS

Current Rating	0.4 Amp / Pin
Contact Resistance	100 mΩ Max
Dielectric Withstanding Voltage	250VAC
Insulation Resistance	500 MΩ Min.
Operating Temperature	-40°C to + 105° C

ORDERING INFORMATION

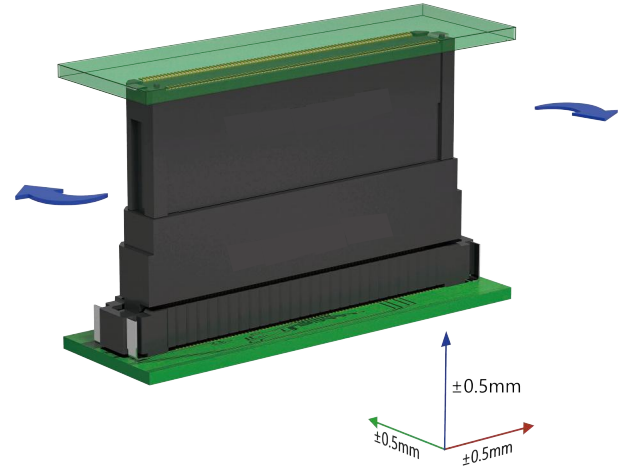
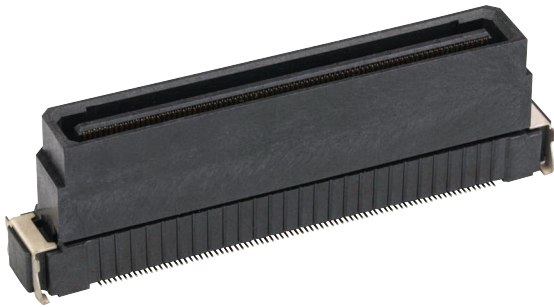
CFLT	-	XX	V02X	M	Q
		No. of Pins per Row	Short Spcification Code	Pin Shape	Packing
		30 40 60 80		SMT, Straight	Reel + Mylar
		100 120 140 160			

0.50 mm
CFLT-XX-V02X-MQ
 SERIES

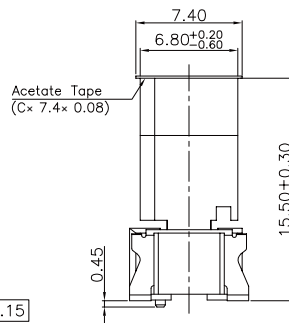
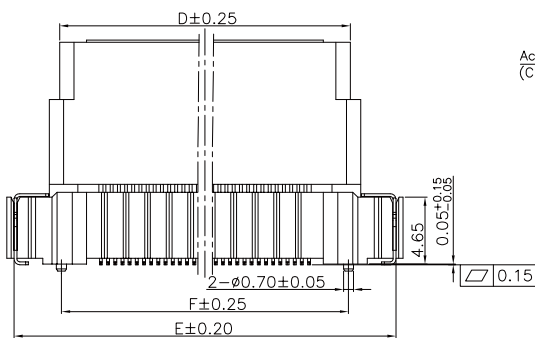
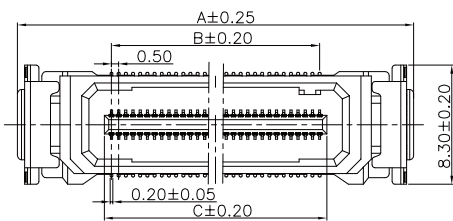


FLOATING SIDE

S.M.T.

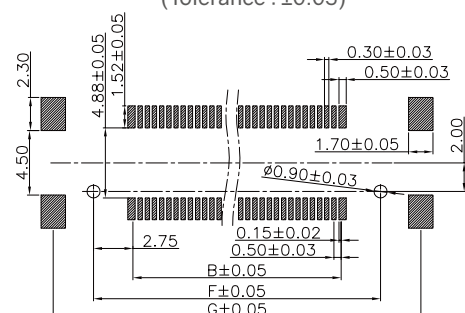


DIMENSION DRAWINGS



PIN NO	A	B	C	D	E	F	G
2X20	22.60	9.50	10.50	15.25	21.60	15.00	20.60
2X30	27.60	14.50	15.50	20.25	26.60	20.00	25.60
2X40	32.60	19.50	20.50	25.25	31.60	5.00	30.60
2X50	37.60	24.50	25.50	30.25	36.60	30.00	35.60
2X60	42.60	29.50	30.50	35.25	41.60	35.00	40.60
2X70	47.60	34.50	35.50	40.25	46.60	40.00	45.60
2X80	52.60	39.50	40.50	45.25	51.60	45.00	50.60

Recommended P.C.Board
 Layout
 (Tolerance : ±0.05)



Mates with

Serial No.	Mating Height	Page
CFLT-XX-V03X-MQ	29.5-31.0mm	10
CFLT-XX-VOLX-MQ	17.5-19.0mm	12
CFLT-XX-VOMX-MQ	24.5-26.0mm	14

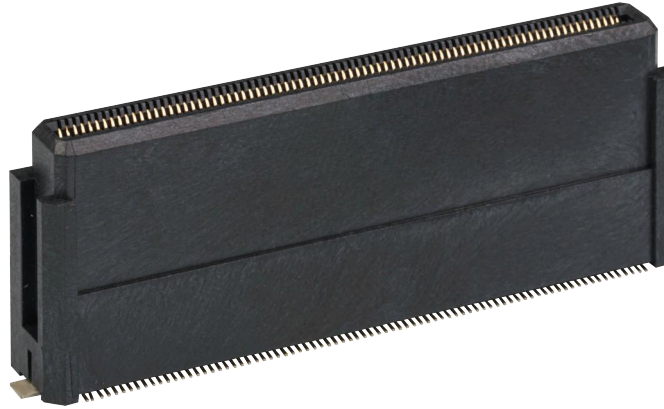
0.50 mm

CFLT-XX-V03X-MQ

SERIES

FIXED SIDE

S.M.T.



PRODUCT SPECIFICATIONS

Current Rating	0.4 Amp / Pin
Contact Resistance	100 mΩ Max
Dielectric Withstanding Voltage	250VAC
Insulation Resistance	500 MΩ Min.
Operating Temperature	-40°C to + 105° C

ORDERING INFORMATION

CFLT	-	XX	V03X	M	Q
		No. of Pins per Row	Short Specification Code	Pin Shape	Packing
		30 40 60 80		SMT, Straight	Reel + Mylar
		100 120 140 160			

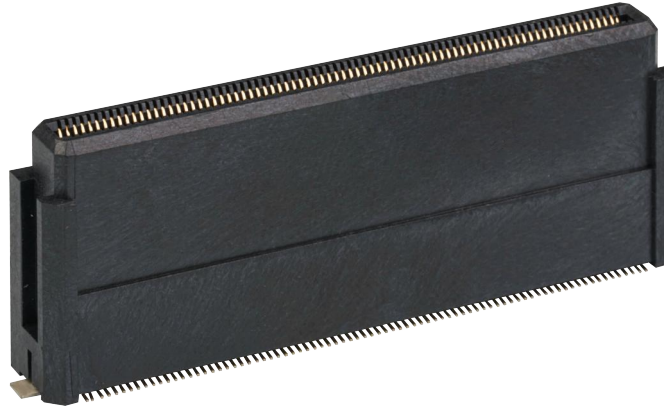
0.50 mm

CFLT-XX-V03X-MQ

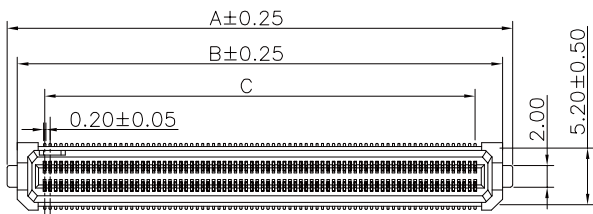
SERIES

FIXED SIDE

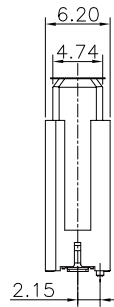
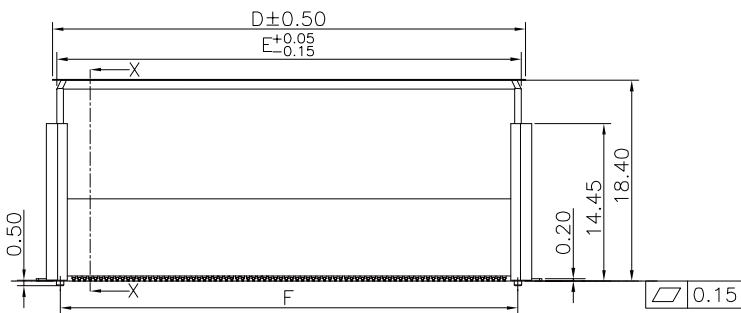
S.M.T.



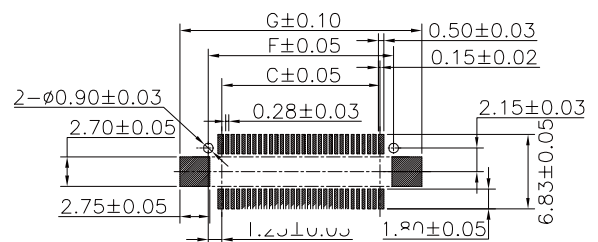
DIMENSION DRAWINGS



80	46.40	44.50	39.50	43.40	42.60	42.00	47.20
70	41.40	39.50	34.50	38.40	37.60	37.00	42.20
60	36.40	34.50	29.50	33.40	32.60	32.00	37.20
50	31.40	29.50	24.50	28.40	27.60	27.00	32.20
40	26.40	24.50	19.50	23.40	22.60	22.00	27.20
30	21.40	19.50	14.50	18.40	17.60	17.00	22.20
20	16.40	14.50	9.50	13.40	12.60	12.00	17.20
No. of PIN/ROW	A	B	C	D	E	F	G
Dimension Information							



Recommended P.C.Board Layout
(Tolerance : ±0.05)



Mates with

Serial No.	Mating Height	Page
CFLT-XX-V02X-MQ	29.5-31.0mm	9

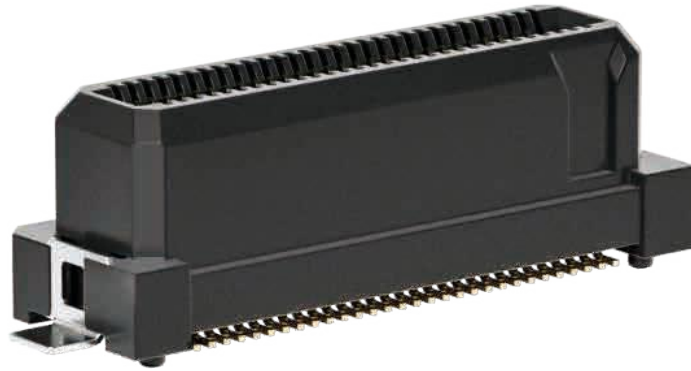
0.50 mm

CFLT-XX-VOLX-MQ

SERIES

FIXED SIDE

S.M.T.



PRODUCT SPECIFICATIONS

Current Rating	0.4 Amp / Pin
Contact Resistance	80 mΩ Max
Dielectric Withstanding Voltage	250VAC/60S
Insulation Resistance	100 MΩ Min.
Operating Temperature	-40°C to + 105° C

ORDERING INFORMATION

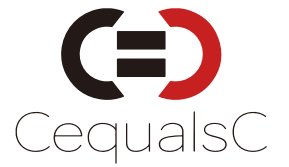
CFLT - XX VOLX M Q

No. of Pins per Row	Short Specification Code	Pin Shape	Packing
30 40 60 80		SMT, Straight	Reel + Mylar
100 120 140 160			

0.50 mm

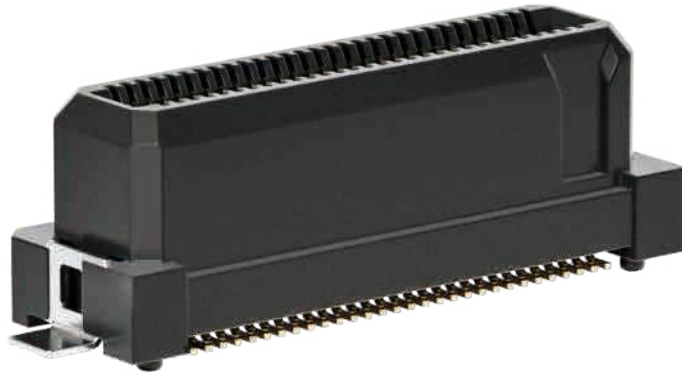
CFLT-XX-VOLX-MQ

SERIES

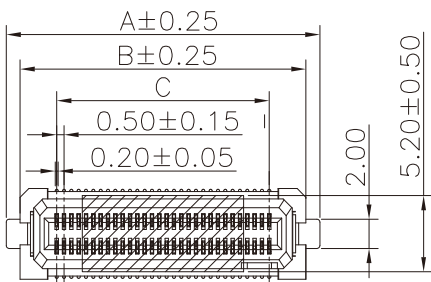


FIXED SIDE

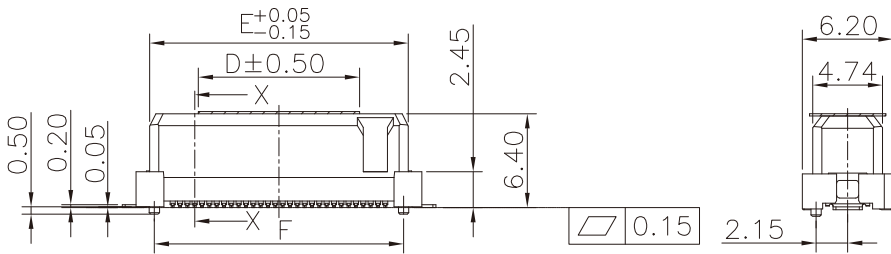
S.M.T.



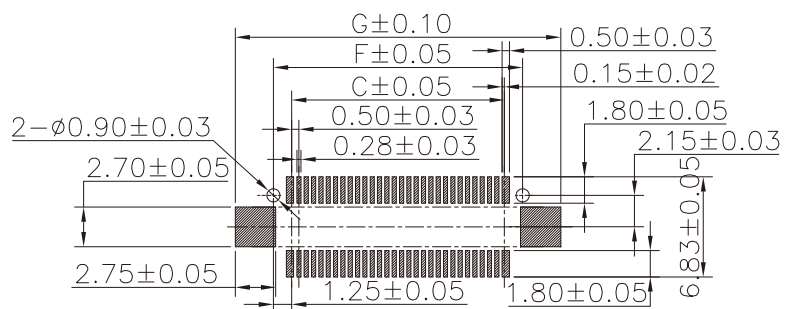
DIMENSION DRAWINGS



80	46.40	44.50	39.50	28.50	42.60	42.00	47.20
70	41.40	39.50	34.50	28.50	37.60	37.00	42.20
60	36.40	34.50	29.50	28.50	32.60	32.00	37.20
50	31.40	29.50	24.50	28.50	27.60	27.00	32.20
40	26.40	24.50	19.50	11.00	22.60	22.00	27.20
30	21.40	19.50	14.50	11.00	17.60	17.00	22.20
20	16.40	14.50	9.50	11.00	12.60	12.00	17.20
15	13.90	12.00	7.00	11.00	10.10	9.50	14.70
No. of PIN/ROW	A	B	C	D	E	F	G
Dimension Information							



Recommended P.C.Board Layout
(Tolerance : ±0.05)



Mates with

Serial No.	Mating Height	Page
CFLT-XX-V02X-MQ	17.5-19.0mm	9

0.50 mm

CFLT-XX-VOMX-MQ

SERIES

FIXED SIDE

S.M.T.



PRODUCT SPECIFICATIONS

Current Rating	0.4 Amp / Pin
Contact Resistance	80 mΩ Max
Dielectric Withstanding Voltage	250VAC/60S
Insulation Resistance	100 MΩ Min.
Operating Temperature	-40°C to + 105° C

ORDERING INFORMATION

CFLT	-	XX		VOMX		M		Q
		No. of Pins per Row		Short Spcification Code		Pin Shape		Packing
		30 40 60 80				SMT, Straight		Reel + Mylar
		100 120 140 160						

0.50 mm
CFLT-XX-V0MX-MQ
 SERIES

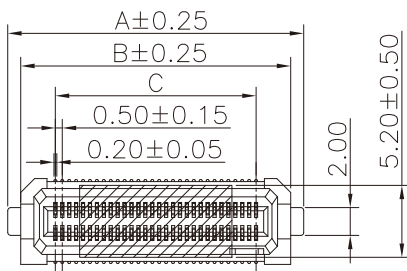


FIXED SIDE

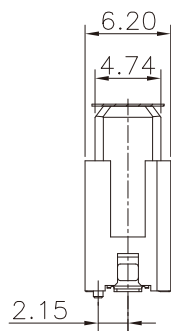
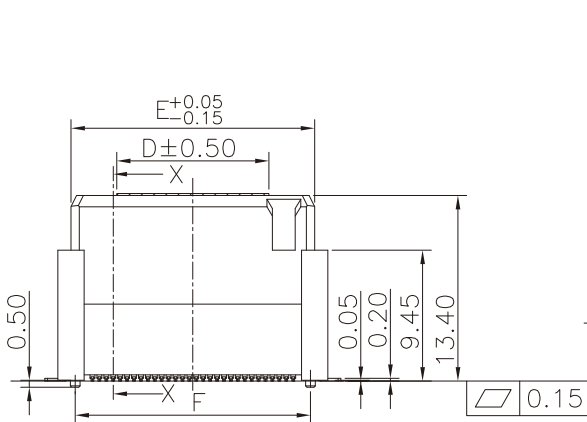
S.M.T.



DIMENSION DRAWINGS

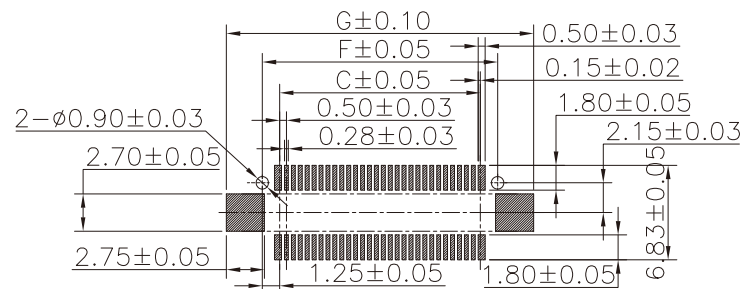


80	46.40	44.50	39.50	28.50	42.60	42.00	47.20
70	41.40	39.50	34.50	28.50	37.60	37.00	42.20
60	36.40	34.50	29.50	28.50	32.60	32.00	37.20
50	31.40	29.50	24.50	28.50	27.60	27.00	32.20
40	26.40	24.50	19.50	11.00	22.60	22.00	27.20
30	21.40	19.50	14.50	11.00	17.60	17.00	22.20
20	16.40	14.50	9.50	11.00	12.60	12.00	17.20
15	13.90	12.00	7.00	11.00	10.10	9.50	14.70
No. of PIN/ROW	A	B	C	D	E	F	G
Dimension Information							



Recommended P.C.Board

(Tolerance : ± 0.05)



Mates with

Serial No.	Mating Height	Page
CFLT-XX-V02X-MQ	17.5-19.0mm	9

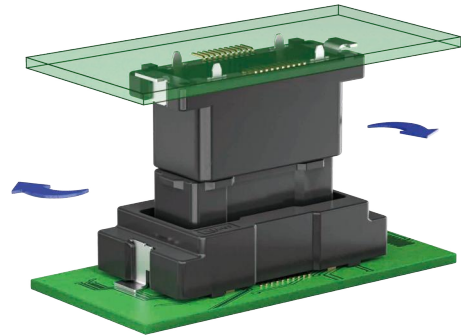
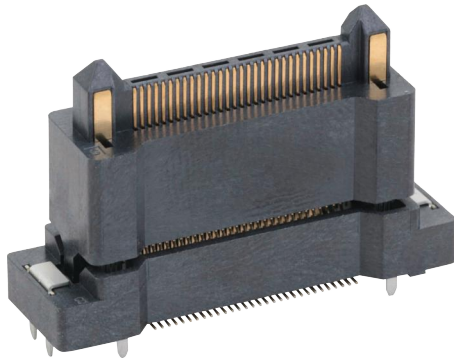
0.50 mm

CFLT-XX-V0JX-MQ

SERIES

FLOATING SIDE

S.M.T.



PRODUCT SPECIFICATIONS

Current Rating	Signal contact: 0.5Amp / pin Power contact: 3Amp / pin
Contact Resistance	Signal part: 70 mΩ Max. Power part: 20 mΩ Max.
Dielectric Withstanding Voltage	Signal part: 150VAC Power part: 600VAC
Insulation Resistance	Signal part: 100 MΩ Min. Power part: 1000 MΩ Min.
Operating Temperature	-55°C to + 105° C

ORDERING INFORMATION

CFLT	-	XX	V0JX	M	Q
		No. of Pins per Row	Short Spcification Code	Pin Shape	Packing
		20 40 60 80 100 120		SMT, Straight	Reel + Mylar

0.50 mm

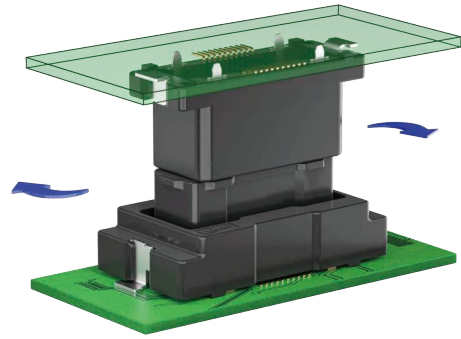
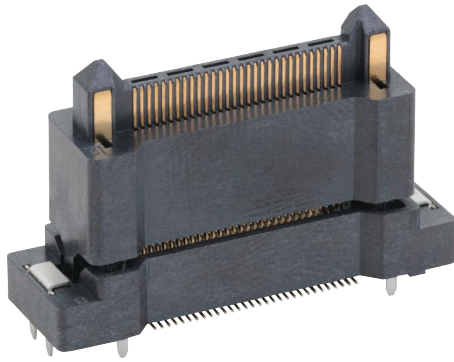
CFLT-XX-V0JX-MQ

SERIES

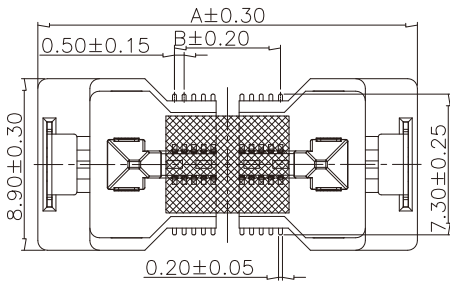


FLOATING SIDE

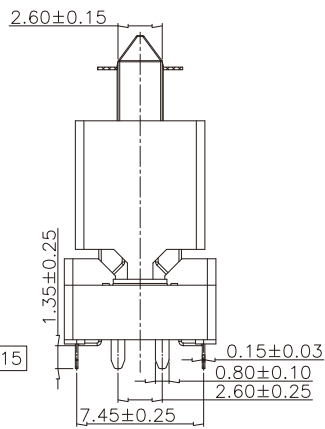
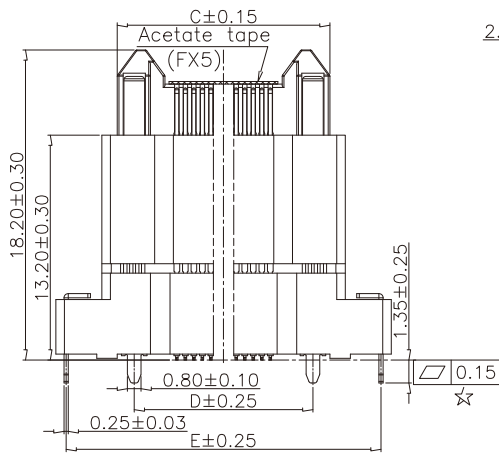
S.M.T.



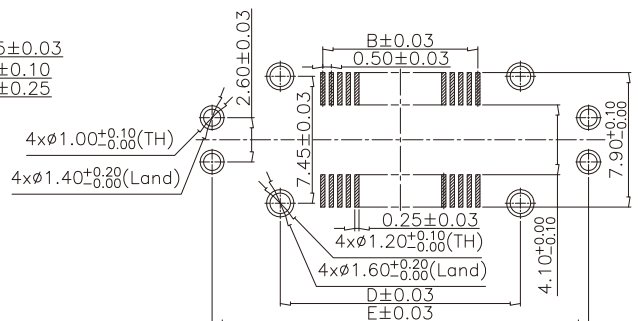
DIMENSION DRAWINGS



No. of contacts	Dimension Information					
	A	B	C	D	E	F
2x10	18.70	4.50	11.50	9.50	17.50	5.0
2x20	23.70	9.50	16.50	14.50	22.50	10.0
2x30	28.70	14.50	21.50	19.50	27.50	10.0
2x40	33.70	19.50	26.50	24.50	32.50	10.0
2x50	38.70	24.50	31.50	29.50	37.50	10.0
2x60	43.70	29.50	36.50	34.50	42.50	10.0



Recommended P.C.Board Layout
(Tolerance : ± 0.05)



Mates with

Serial No.	Mating Height	Page
CFLT-XX-V0HX-MQ	19.5-21.0mm	22
CFLT-XX-V0EX-MQ	18.0-20.0mm	24
CFLT-XX-V0KX-NR	21.4-22.3mm	26

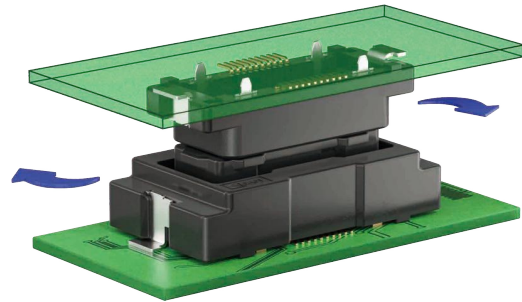
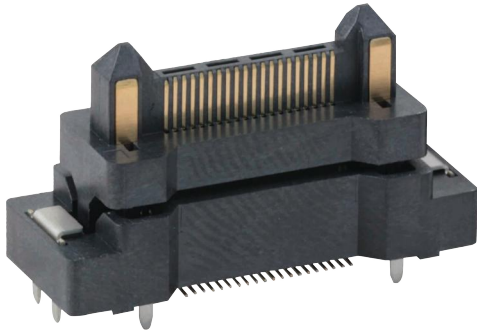
0.50 mm

CFLT-XX-VOGX-MQ

SERIES

FLOATING SIDE

S.M.T.



PRODUCT SPECIFICATIONS

Current Rating	Signal contact: 0.5Amp / pin Power contact: 3Amp / pin
Contact Resistance	Signal part: 70 mΩ Max. Power part: 20 mΩ Max.
Dielectric Withstanding Voltage	Signal part: 150VAC Power part: 600VAC
Insulation Resistance	Signal part: 100 MΩ Min. Power part: 1000 MΩ Min.
Operating Temperature	-55°C to + 105° C

ORDERING INFORMATION

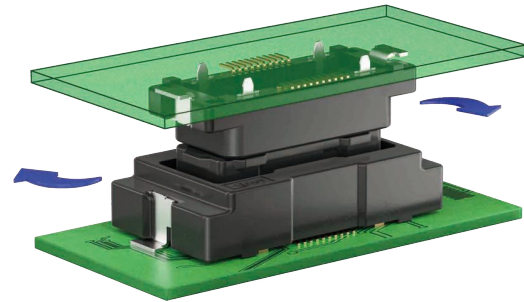
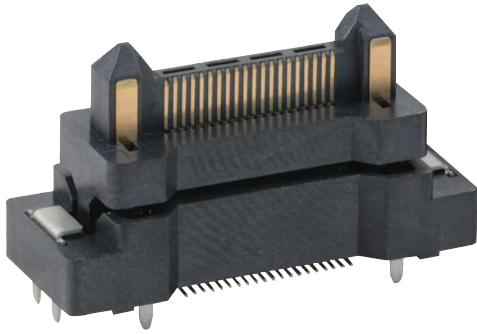
CFLT	-	XX	VOGX	M	Q
		No. of Pins per Row	Short Specification Code	Pin Shape	Packing
		20 40 60 80		SMT, Straight	Reel + Mylar
		100 120			

0.50 mm
CFLT-XX-V0GX-MQ
 SERIES

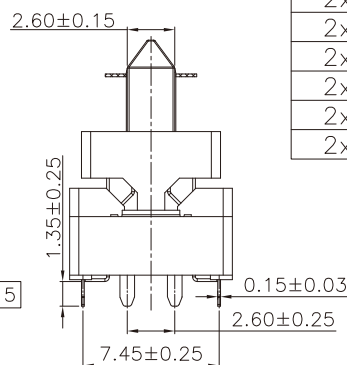
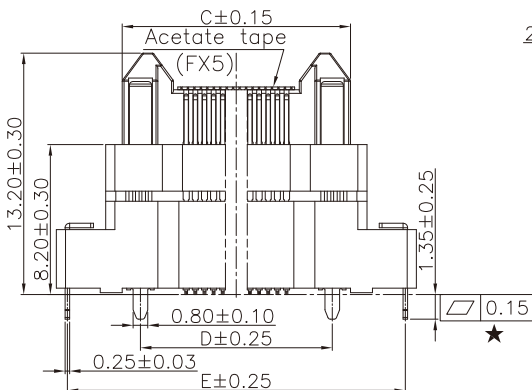
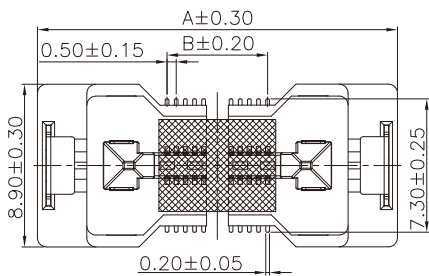


FLOATING SIDE

S.M.T.

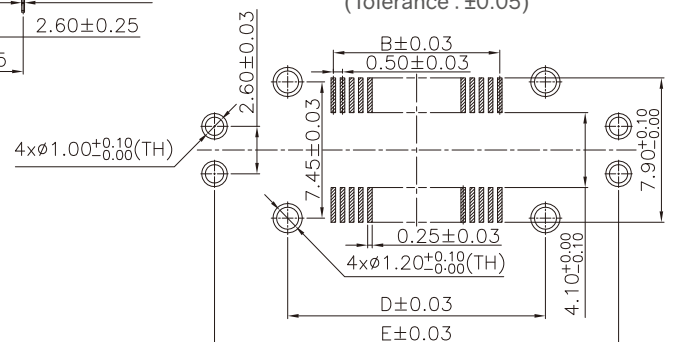


DIMENSION DRAWINGS



No. of contacts	Dimension Information					
	A	B	C	D	E	F
2x10	18.70	4.50	11.50	9.50	17.50	5.0
2x20	23.70	9.50	16.50	14.50	22.50	10.0
2x30	28.70	14.50	21.50	19.50	27.50	10.0
2x40	33.70	19.50	26.50	24.50	32.50	10.0
2x50	38.70	24.50	31.50	29.50	37.50	10.0
2x60	43.70	29.50	36.50	34.50	42.50	10.0

Recommended P.C.Board Layout
 (Tolerance : ± 0.05)



Mates with

Serial No.	Mating Height	Page
CFLT-XX-V0HX-MQ	14.5-16.0mm	22
CFLT-XX-V0EX-MQ	13.0-15.0mm	24
CFLT-XX-V0KX-NR	16.3-17.2mm	26

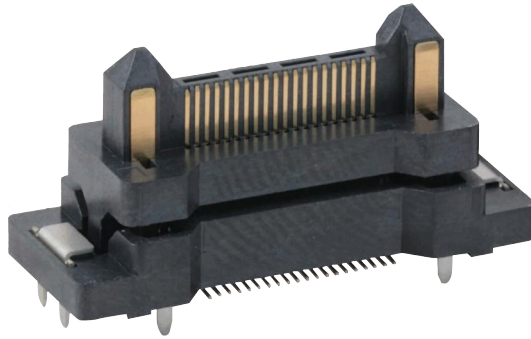
0.50 mm

CFLT-XX-V0FX-MQ

SERIES

FIXED SIDE

S.M.T.



PRODUCT SPECIFICATIONS

Current Rating	Signal contact: 0.5Amp / pin Power contact: 3Amp / pin
Contact Resistance	Signal part: 70 mΩ Max. Power part: 20 mΩ Max.
Dielectric Withstanding Voltage	Signal part: 150VAC Power part: 600VAC
Insulation Resistance	Signal part: 100 MΩ Min. Power part: 1000 MΩ Min.
Operating Temperature	-55°C to + 105° C

ORDERING INFORMATION

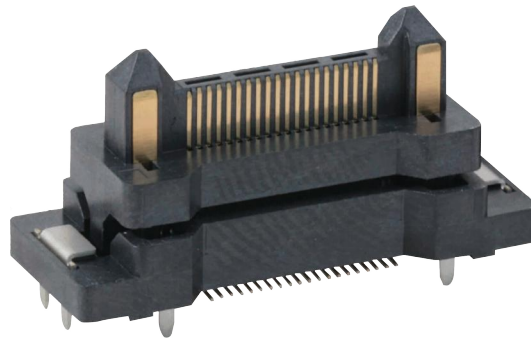
CFLT	-	XX	V0FX	M	Q
		No. of Pins per Row	Short Specification Code	Pin Shape	Packing
		20 40 60 80		SMT, Straight	Reel + Mylar
		100 120			

0.50 mm
CFLT-XX-V0FX-MQ
 SERIES

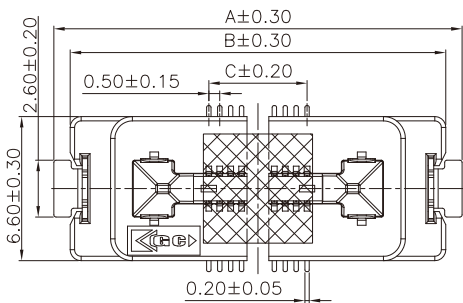


FIXED SIDE

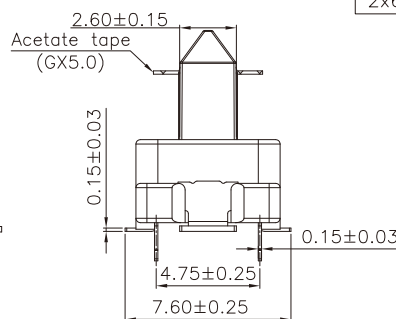
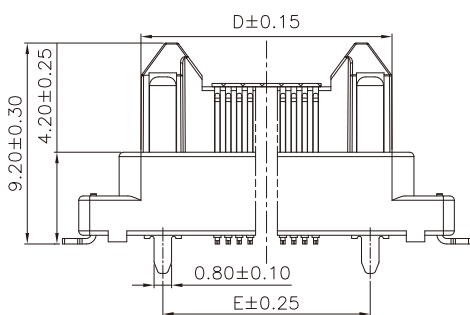
S.M.T.



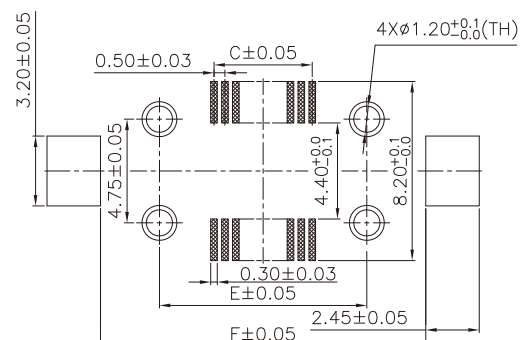
DIMENSION DRAWINGS



No. of contacts	Dimension Information						
	A	B	C	D	E	F	G
2x10Pin	18.70	17.20	4.50	11.50	9.50	14.90	5.0
2x20Pin	23.70	22.20	9.50	16.50	14.50	19.90	10.0
2x30Pin	28.70	27.20	14.50	21.50	19.50	24.90	10.0
2x40Pin	33.70	32.20	19.50	26.50	24.50	29.90	10.0
2x50Pin	38.70	37.20	24.50	31.50	29.50	34.90	10.0
2x60Pin	43.70	42.20	29.50	36.50	34.50	39.90	10.0



Recommended P.C. Board
 Layout
 (Tolerance : ± 0.05)



Mates with

Serial No.	Mating Height	Page
CFLT-XX-V0HX-MQ	14.5-16.0mm	22
CFLT-XX-V0EX-MQ	13.0-15.0mm	24
CFLT-XX-V0KX-NR	16.3-17.2mm	26

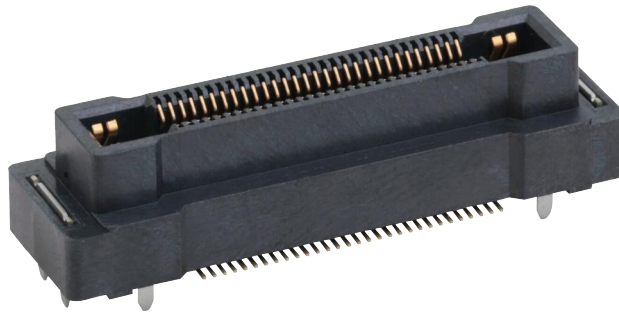
0.50 mm

CFLT-XX-VOHX-MQ

SERIES

FIXED SIDE

S.M.T.



PRODUCT SPECIFICATIONS

Current Rating	Signal contact: 0.5Amp / pin Power contact: 3Amp / pin
Contact Resistance	Signal part: 70 mΩ Max. Power part: 20 mΩ Max.
Dielectric Withstanding Voltage	Signal part: 150VAC Power part: 600VAC
Insulation Resistance	Signal part: 100 MΩ Min. Power part: 1000 MΩ Min.
Operating Temperature	-55°C to + 105° C

ORDERING INFORMATION

CFLT - XX VOHX M Q

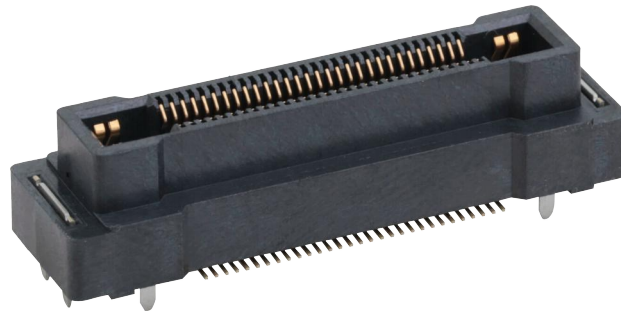
No. of Pins per Row	Short Specification Code	Pin Shape	Packing
20 40 60 80		SMT, Straight	Reel + Mylar
100 120			

0.50 mm
CFLT-XX-V0HX-MQ
 SERIES

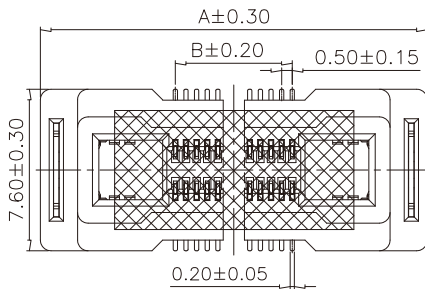


FIXED SIDE

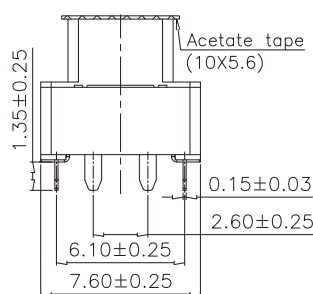
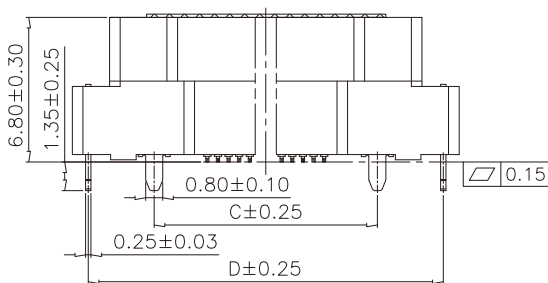
S.M.T.



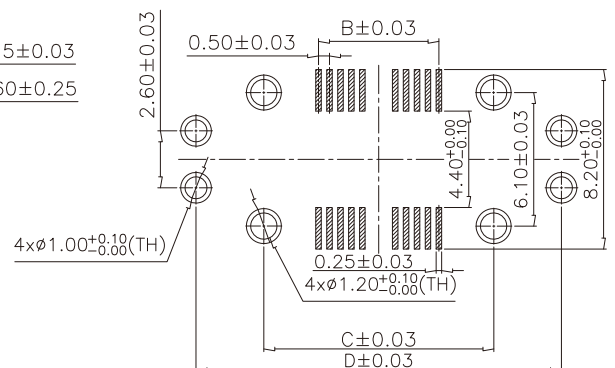
DIMENSION DRAWINGS



No. of contacts	Dimension Information			
	A	B	C	D
2x10	17.20	4.50	9.50	15.70
2x20	22.20	9.50	14.50	20.70
2x30	27.20	14.50	19.50	25.70
2x40	32.20	19.50	24.50	30.70
2x50	37.20	24.50	29.50	35.70
2x60	42.20	29.50	34.50	40.70



Recommended P.C.Board Layout
 (Tolerance : ±0.05)



Mates with

Serial No.	Mating Height	Page
CFLT-XX-V0JX-MQ	19.5-21.0mm	17
CFLT-XX-V0GX-MQ	14.5-16.0mm	19
CFLT-XX-V0FX-MQ	11.0-12.0mm	21

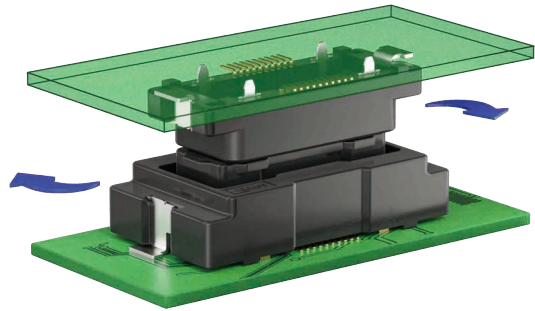
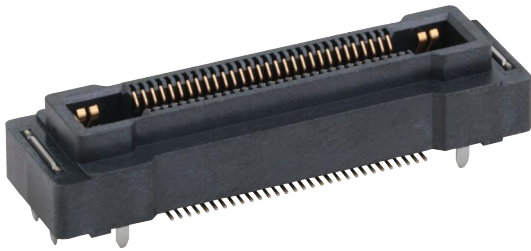
0.50 mm

CFLT-XX-VOEX-MQ

SERIES

FLOATING SIDE

S.M.T.



PRODUCT SPECIFICATIONS

Current Rating	Signal contact: 0.5Amp / pin Power contact: 3Amp / pin
Contact Resistance	Signal part: 70 mΩ Max. Power part: 20 mΩ Max.
Dielectric Withstanding Voltage	Signal part: 150VAC Power part: 600VAC
Insulation Resistance	Signal part: 100 MΩ Min. Power part: 1000 MΩ Min.
Operating Temperature	-55°C to + 105° C

ORDERING INFORMATION

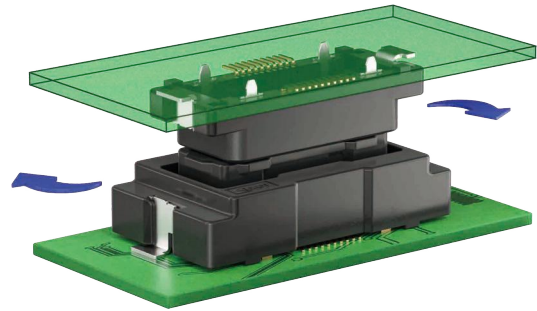
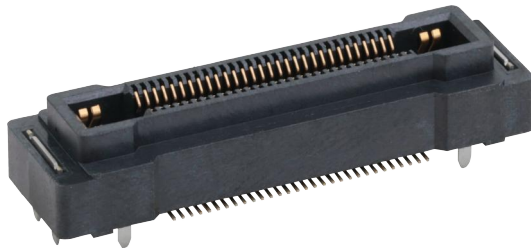
CFLT	-	XX	VOEX	M	Q
		No. of Pins per Row	Short Specification Code	Pin Shape	Packing
		20 40 60 80 100 120		SMT, Straight	Reel + Mylar

0.50 mm
CFLT-XX-V0EX-MQ
 SERIES

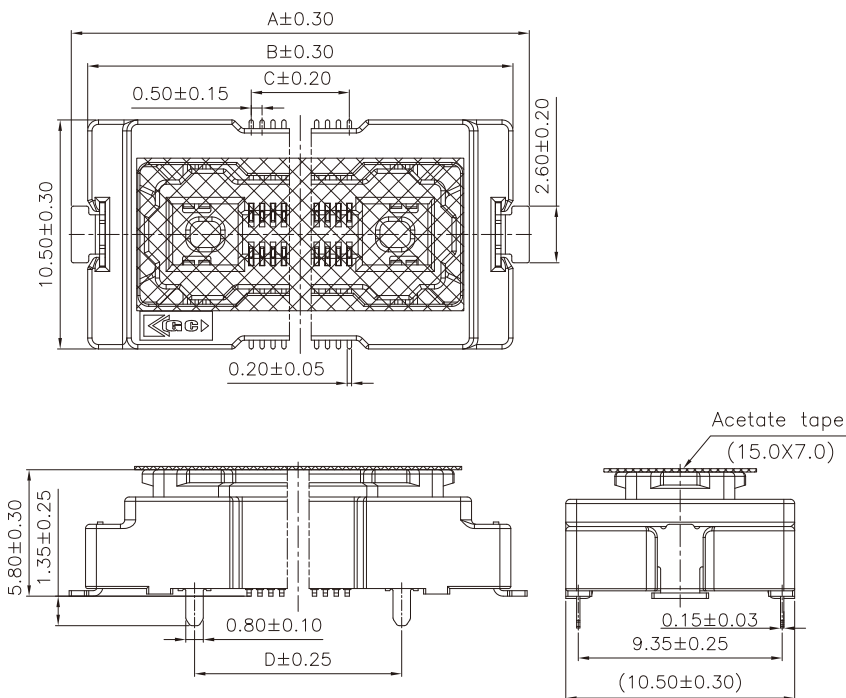


FLOATING SIDE

S.M.T.

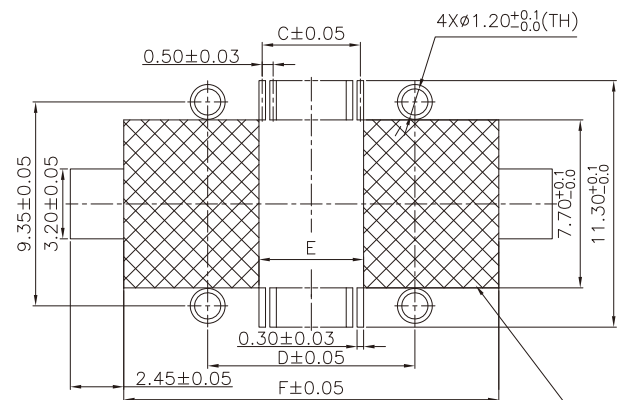


DIMENSION DRAWINGS



No. of contacts	Dimension Information					
	A	B	C	D	E	F
2x10Pin	21.00	19.50	4.50	9.50	4.80	17.20
2x20Pin	26.00	24.50	9.50	14.50	9.80	22.20
2x30Pin	31.00	29.50	14.50	19.50	14.80	27.20
2x40Pin	36.00	34.50	19.50	24.50	19.80	32.20
2x50Pin	41.00	39.50	24.50	29.50	24.80	37.20
2x60Pin	46.00	44.50	29.50	34.50	29.80	42.20

Recommended P.C.Board Layout
 (Tolerance : ± 0.05)



area Of inner SMT land requires pattern prohibition or resist treatment to prevent the pattern.

Mates with

Serial No.	Mating Height	Page
CFLT-XX-V0JX-MQ	18.0-20.0mm	17
CFLT-XX-V0GX-MQ	13.0-15.0mm	19
CFLT-XX-V0FX-MQ	9.5-11.0mm	21

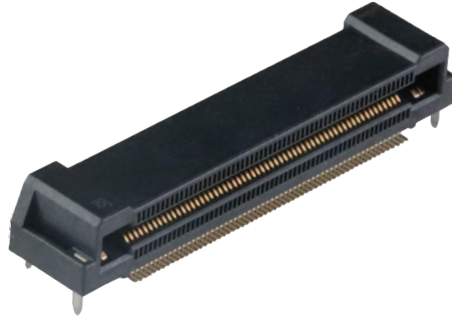
0.50 mm

CFLT-XX-V0KX-NR

SERIES

FIXED SIDE

S.M.T.



PRODUCT SPECIFICATIONS

Current Rating	Signal contact: 0.5Amp / pin Power contact: 3Amp / pin
Contact Resistance	Signal part: 70 mΩ Max. Power part: 20 mΩ Max.
Dielectric Withstanding Voltage	Signal part: 150VAC Power part: 600VAC
Insulation Resistance	Signal part: 100 MΩ Min. Power part: 1000 MΩ Min.
Operating Temperature	-55°C to + 105° C

ORDERING INFORMATION

CFLT -

No. of Pins per Row	Short Spcification Code	Pin Shape	Packing
<input type="text" value="20"/> <input type="text" value="40"/> <input type="text" value="60"/> <input type="text" value="80"/> <input type="text" value="100"/> <input type="text" value="120"/>		SMT, R/A	Reel

0.50 mm

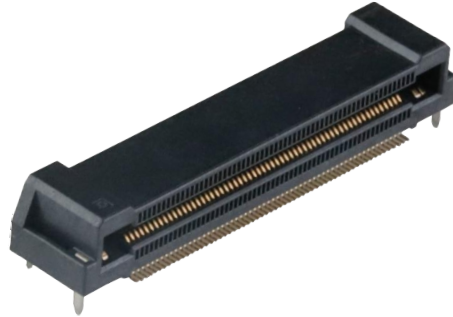
CFLT-XX-V0KX-NR

SERIES

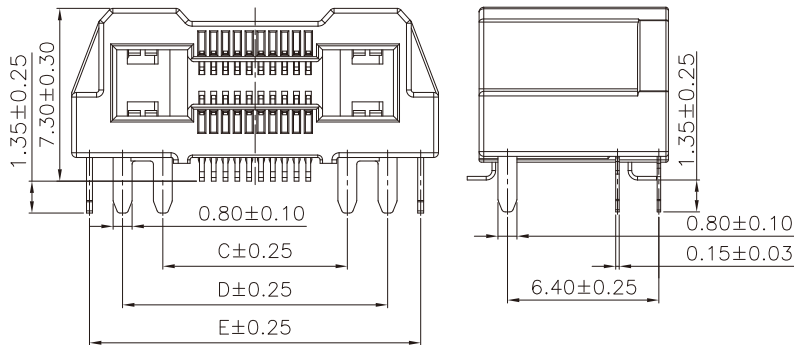


FIXED SIDE

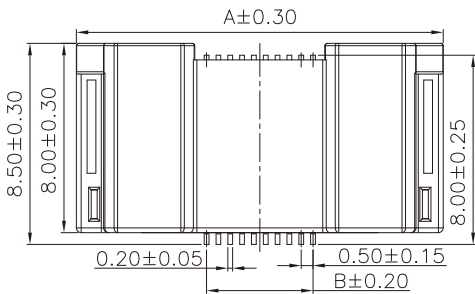
S.M.T.



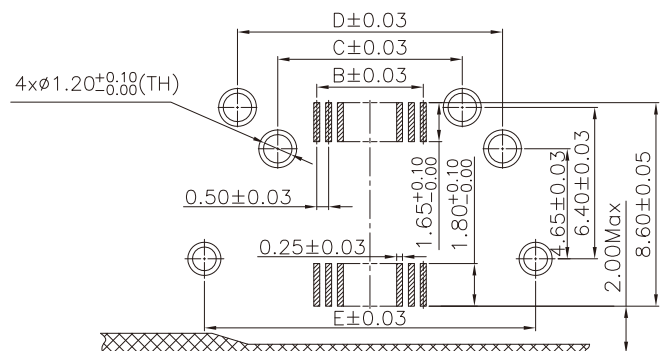
DIMENSION DRAWINGS



No. of contacts	Dimension Information				
	A	B	C	D	E
2x10	15.50	4.50	7.80	11.20	14.00
2x20	20.50	9.50	12.80	16.20	19.00
2x30	25.50	14.50	17.80	21.20	24.00
2x40	30.50	19.50	22.80	26.20	29.00
2x50	35.50	24.50	27.80	31.20	34.00
2x60	40.50	29.50	32.80	36.20	39.00



Recommended P.C.Board Layout
(Tolerance : ± 0.05)



Mates with

Serial No.	Mating Height	Page
CFLT-XX-V0JX-MQ	21.4-22.3mm	17
CFLT-XX-V0GX-MQ	16.3-17.2mm	19
CFLT-XX-V0FX-MQ	12.1-13.1mm	21

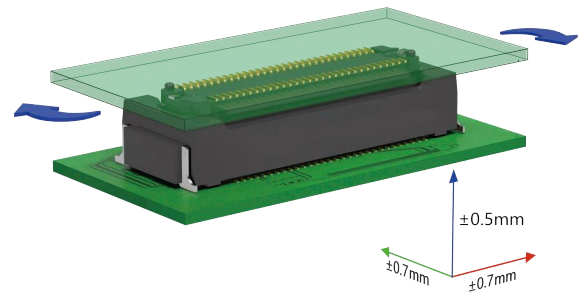
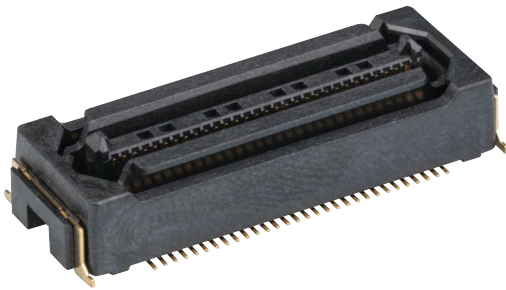
0.635mm

CFLT-XX-V04X-MQ

SERIES

FLOATING SIDE

S.M.T.



PRODUCT SPECIFICATIONS

Current Rating	0.5 Amp / Pin
Contact Resistance	100 mΩ Max
Dielectric Withstanding Voltage	250VAC
Insulation Resistance	500 MΩ Min.
Operating Temperature	-40°C to + 105° C

ORDERING INFORMATION

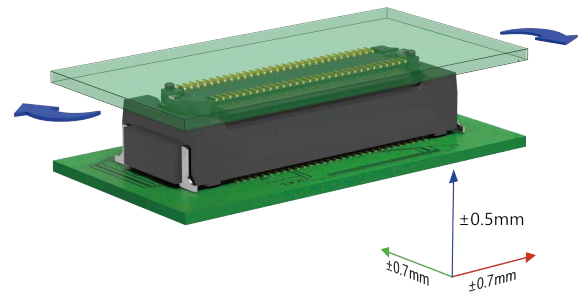
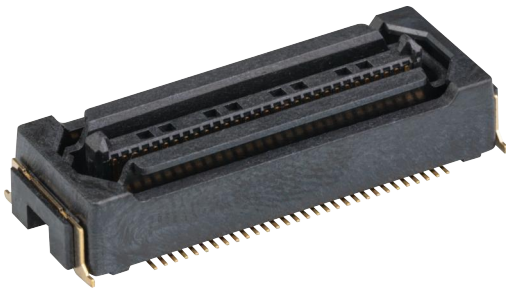
CFLT	-	XX	V04X	M	Q
		No. of Pins per Row	Short Spersification Code	Pin Shape	Packing
		30 40 60 80		SMT, Straight	Reel + Mylar

0.635mm
CFLT-XX-V04X-MQ
 SERIES

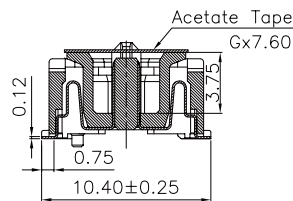
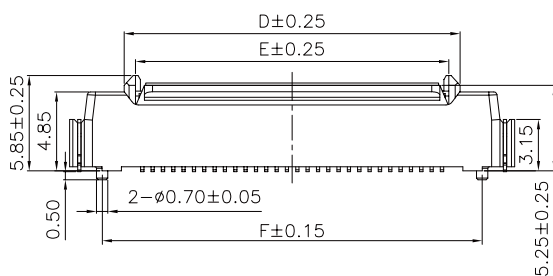
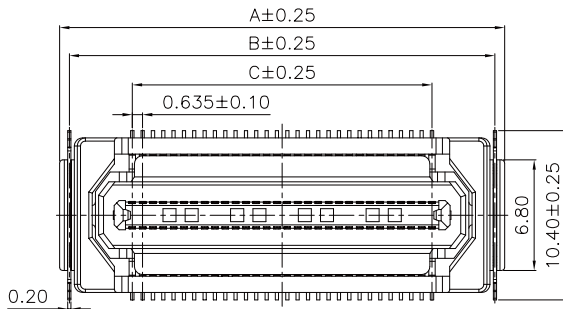


FLOATING SIDE

S.M.T.

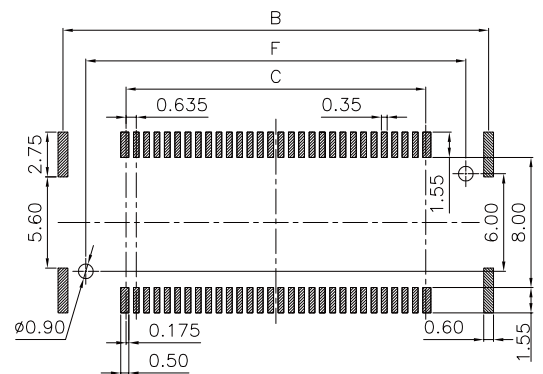


DIMENSION DRAWINGS



No. of PIN/ROW	Dimension Information						
	A	B	C	D	E	F	G
2x30	27.35	26.15	18.415	20.65	19.25	23.35	18.00
2x40	33.70	32.50	24.765	27.00	25.60	29.70	24.35

Recommended P.C.Board
 Layout
 (Tolerance : ±0.05)



Mates with

Serial No.	Mating Height	Page
CFLT-XX-V05X-MQ	5.8-7.3mm	30
CFLT-XX-V06X-MQ	9.5-11.0mm	32
CFLT-XX-V07X-MQ	14.5-16.0mm	34

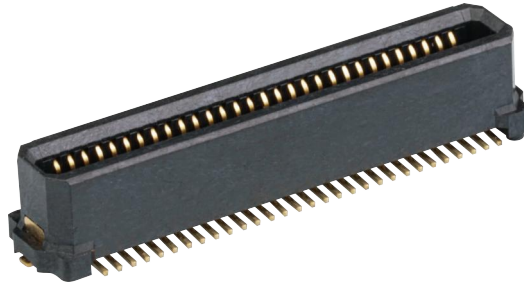
0.635mm

CFLT-XX-V05X-MQ

SERIES

FIXED SIDE

S.M.T.



PRODUCT SPECIFICATIONS

Current Rating	0.5 Amp / Pin
Contact Resistance	100 mΩ Max
Dielectric Withstanding Voltage	250VAC
Insulation Resistance	500 MΩ Min.
Operating Temperature	-40°C to + 105° C

ORDERING INFORMATION

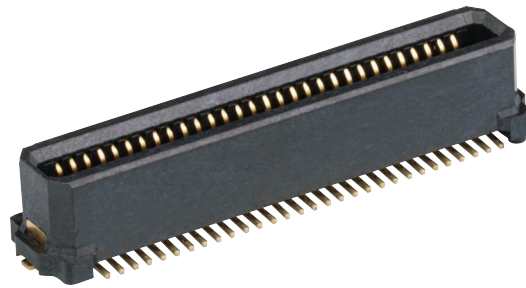
CFLT	-	XX	V05X	M	Q
		No. of Pins per Row	Short Specification Code	Pin Shape	Packing
		30 40 60 80		SMT, Straight	Reel + Mylar

0.635mm
CFLT-XX-V05X-MQ
 SERIES

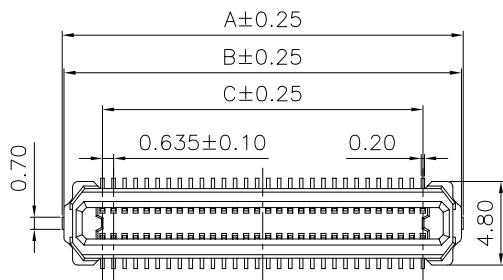


FIXED SIDE

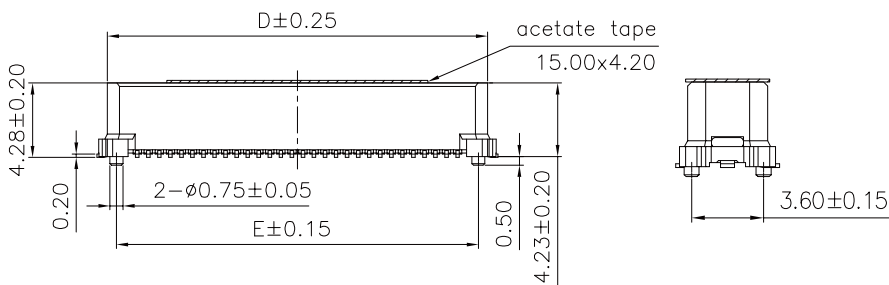
S.M.T.



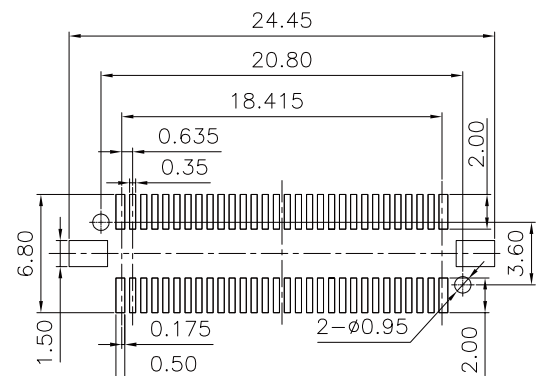
DIMENSION DRAWINGS



No. of PIN/ROW	Dimension Information				
	A	B	C	D	E
2x30	23.05	22.85	18.42	21.85	20.80
2x40	29.40	29.20	24.77	28.20	27.15



Recommended P.C.Board
 Layout
 (Tolerance : ±0.05)



Mates with

Serial No.	Mating Height	Page
CFLT-XX-V04X-MQ	5.8-7.3mm	28

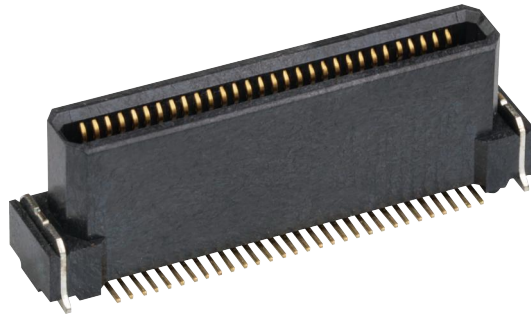
0.635mm

CFLT-XX-V06X-MQ

SERIES

FIXED SIDE

S.M.T.



PRODUCT SPECIFICATIONS

Current Rating	0.5 Amp / Pin
Contact Resistance	100 mΩ Max
Dielectric Withstanding Voltage	250VAC
Insulation Resistance	500 MΩ Min.
Operating Temperature	-40°C to + 105° C

ORDERING INFORMATION

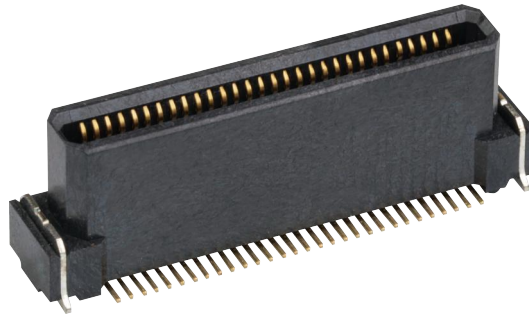
CFLT	-	XX	V06X	M	Q
		No. of Pins per Row	Short Spcification Code	Pin Shape	Packing
		30 40 60 80		SMT, Straight	Reel + Mylar

0.635mm
CFLT-XX-V06X-MQ
 SERIES

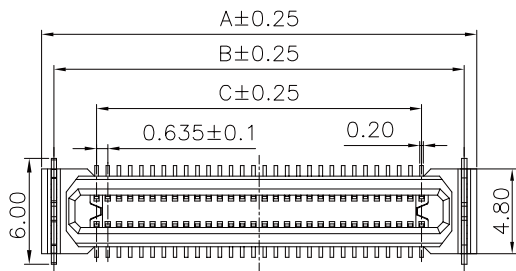


FIXED SIDE

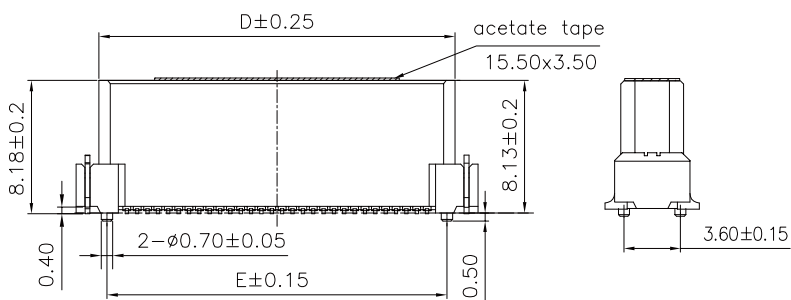
S.M.T.



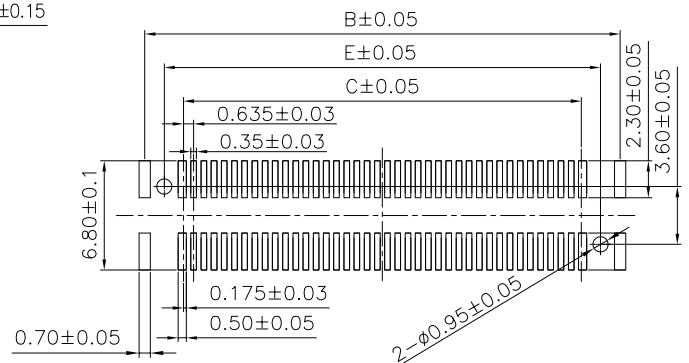
DIMENSION DRAWINGS



No. of PIN/ROW	Dimension Information				
	A	B	C	D	E
2x30	24.65	23.25	18.42	21.85	20.80
2x40	31.00	29.60	24.77	28.20	27.15



Recommended P.C.Board
 Layout
 (Tolerance : ±0.05)



Mates with

Serial No.	Mating Height	Page
CFLT-XX-V04X-MQ	9.5-11.0mm	28

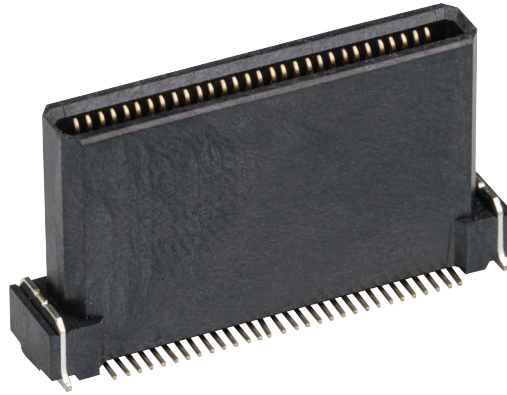
0.635mm

CFLT-XX-V07X-MQ

SERIES

FIXED SIDE

S.M.T.



PRODUCT SPECIFICATIONS

Current Rating	0.5 Amp / Pin
Contact Resistance	100 mΩ Max
Dielectric Withstanding Voltage	250VAC
Insulation Resistance	500 MΩ Min.
Operating Temperature	-40°C to + 105° C

ORDERING INFORMATION

CFLT - XX V07X M Q

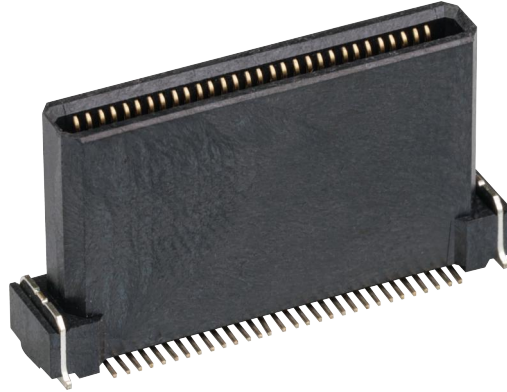
No. of Pins per Row	Short Specification Code	Pin Shape	Packing
30 40 60 80		SMT, Straight	Reel + Mylar

0.635mm
CFLT-XX-V07X-MQ
 SERIES

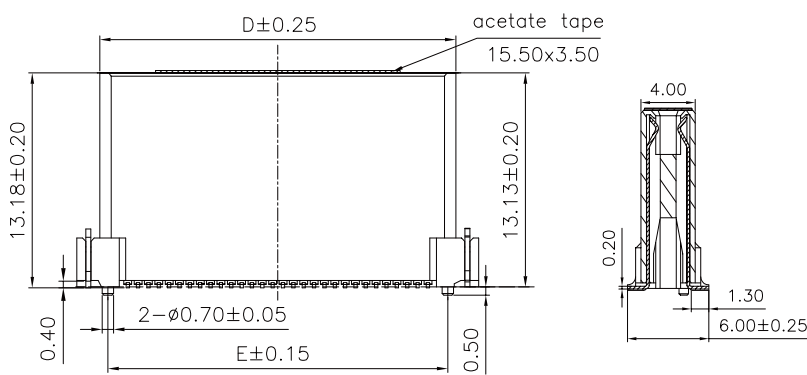
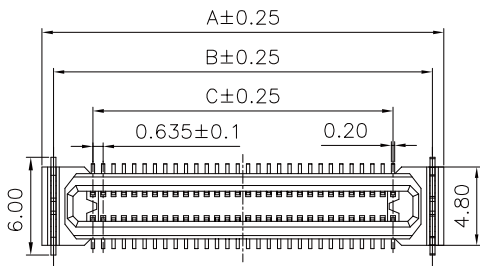


FIXED SIDE

S.M.T.

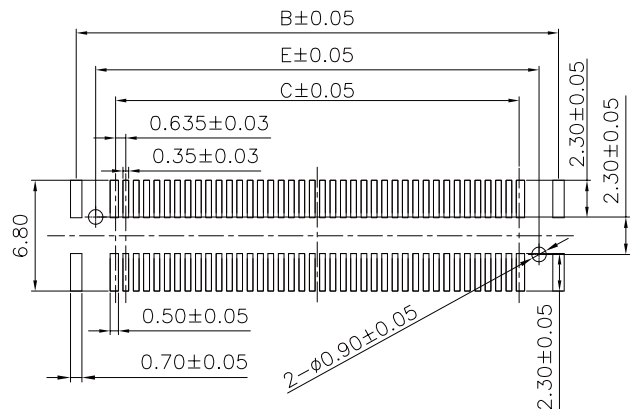


DIMENSION DRAWINGS



No. of PIN/ROW	Dimension Information				
	A	B	C	D	E
2x30	24.65	23.25	18.42	21.85	20.85
2x40	31.00	29.60	24.77	28.20	27.20

Recommended P.C.Board
 Layout
 (Tolerance : ±0.05)



Mates with

Serial No.	Mating Height	Page
CFLT-XX-V04X-MQ	17.5-19.0mm	28

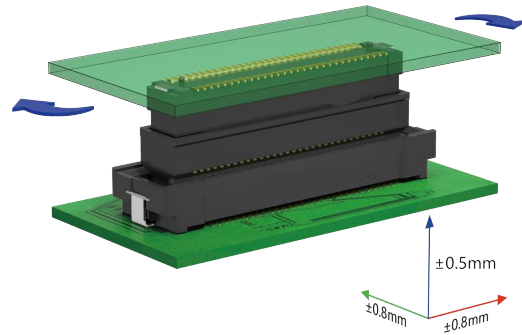
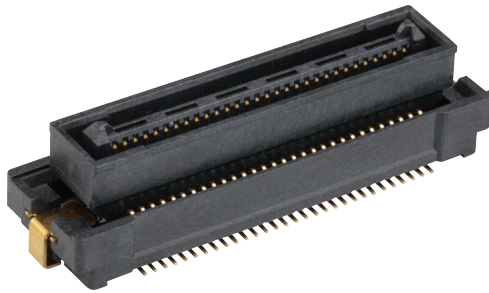
0.80mm

CFLT-XX-V0AX-MQ

SERIES

FLOATING SIDE

S.M.T.



PRODUCT SPECIFICATIONS

Current Rating	0.5 Amp / Pin
Contact Resistance	100 mΩ Max
Dielectric Withstanding Voltage	250VAC
Insulation Resistance	500 MΩ Min.
Operating Temperature	-40°C to + 105° C

ORDERING INFORMATION

CFLT	-	XX	V0AX	M	Q
		No. of Pins per Row	Short Spersification Code	Pin Shape	Packing
		30 40 60 80		SMT, Straight	Reel + Mylar

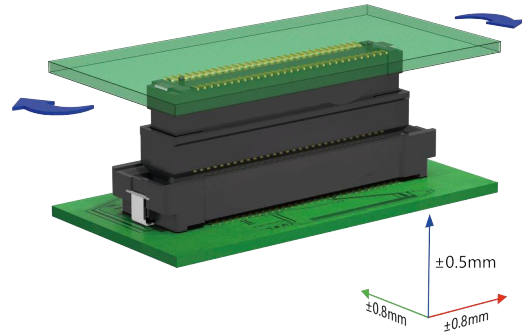
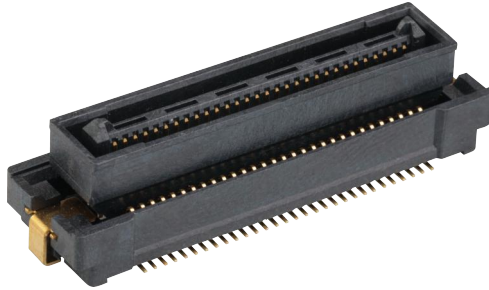
0.80mm

CFLT-XX-V0AX-MQ SERIES

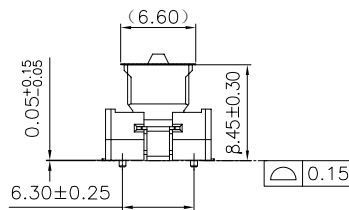
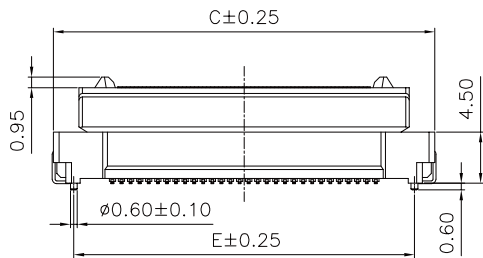
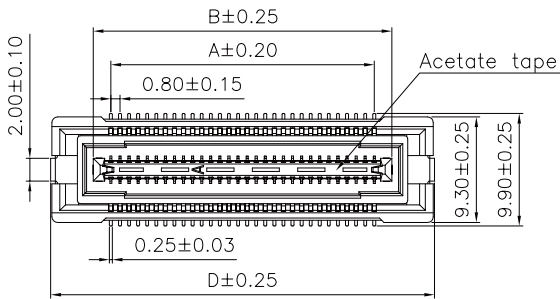


FLOATING SIDE

S.M.T.



DIMENSION DRAWINGS

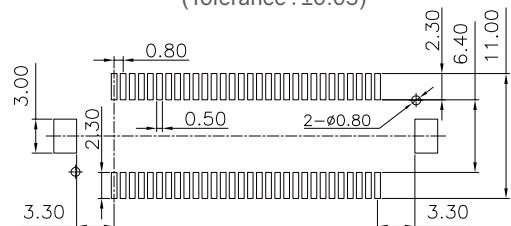


Pin NO.	A	B	C	D	E
2x30	23.20	26.30	33.60	33.80	30.00
2x40	31.20	34.30	41.60	41.80	38.00

Mates with

Serial No.	Mating Height	Page
CFLT-XX-V09X-MQ	12.25-13.75mm	38
CFLT-XX-V0NX-MQ	11.25-12.75mm	40
CFLT-XX-V0DX-MQ	24.2-25.7mm	44

Recommended P.C.Board
Layout
(Tolerance : ±0.05)



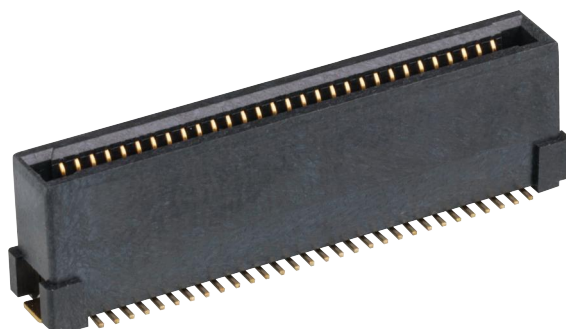
0.80mm

CFLT-XX-V09X-MQ

SERIES

FIXED SIDE

S.M.T.



PRODUCT SPECIFICATIONS

Current Rating	0.5 Amp / Pin
Contact Resistance	100 mΩ Max
Dielectric Withstanding Voltage	250VAC
Insulation Resistance	500 MΩ Min.
Operating Temperature	-40°C to + 105° C

CFLT	-	XX	V09X	M	Q
		No. of Pins per Row	Short Spercification Code	Pin Shape	Packing
		10 30 40 60		SMT, Straight	Reel + Mylar
		80			

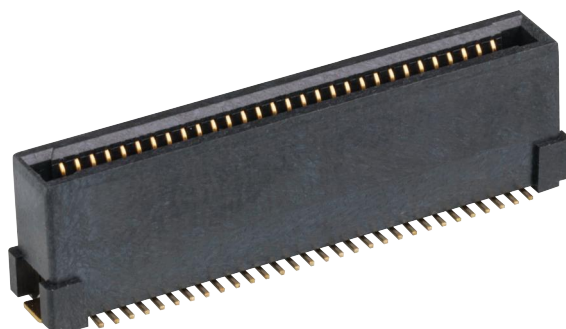
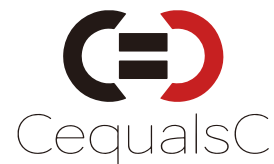
0.80mm

CFLT-XX-V09X-MQ

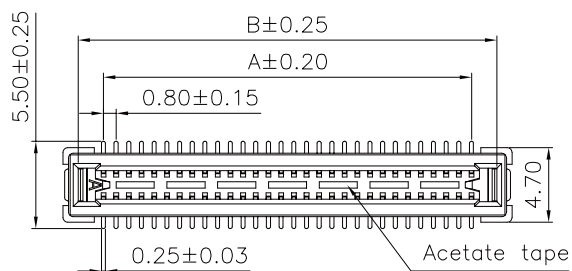
SERIES

FIXED SIDE

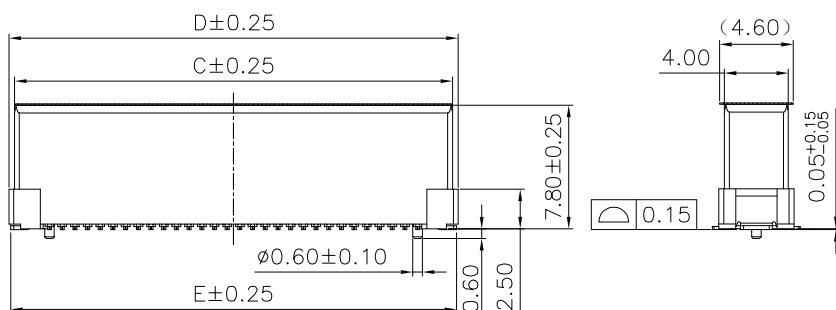
S.M.T.



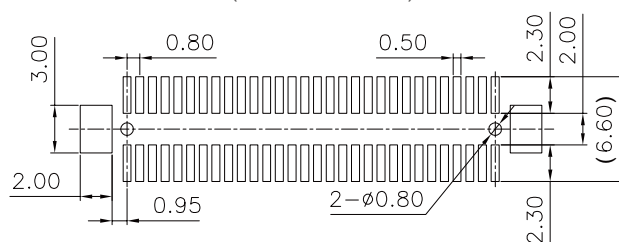
DIMENSION DRAWINGS



	A	B	C	D	E
2x30	23.20	26.40	27.60	28.30	28.10
2x40	31.20	34.40	35.60	36.30	36.10



Recommended P.C.Board
Layout
(Tolerance : ±0.05)



Mates with

Serial No.	Mating Height	Page
CFLT-XX-V0AX-MQ	12.25-13.75mm	36
CFLT-XX-V08X-MQ	8.5-10.0mm	42

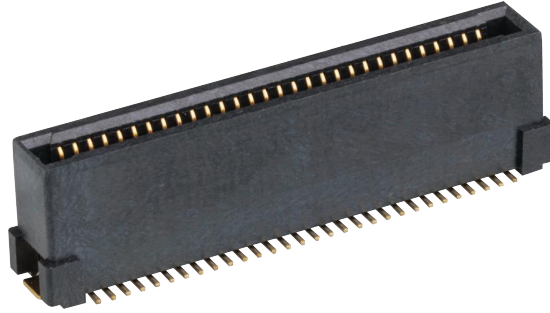
0.80mm

CFLT-XX-VONX-MQ

SERIES

FIXED SIDE

S.M.T.



PRODUCT SPECIFICATIONS

Current Rating	0.5 Amp / Pin
Contact Resistance	100 mΩ Max
Dielectric Withstanding Voltage	250VAC
Insulation Resistance	500 MΩ Min.
Operating Temperature	-40°C to + 105° C

ORDERING INFORMATION

CFLT	-	XX	VONX	M	Q
		No. of Pins per Row	Short Spersification Code	Pin Shape	Packing
		30 40 60 80		SMT, Straight	Reel + Mylar

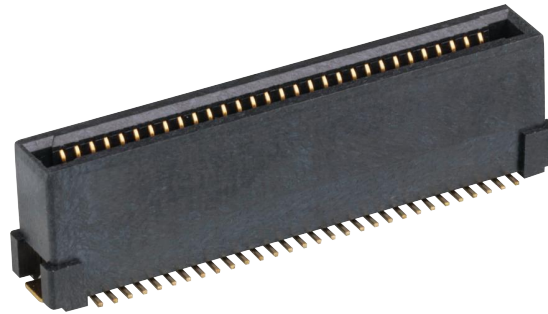
0.80mm

CFLT-XX-V0NX-MQ

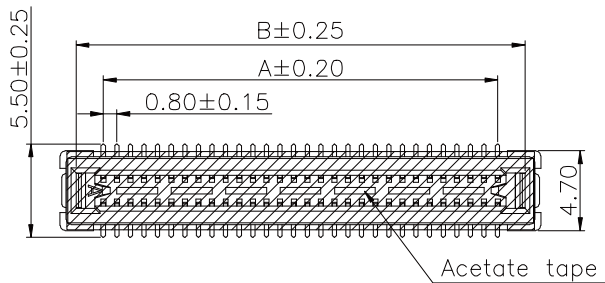
SERIES

FIXED SIDE

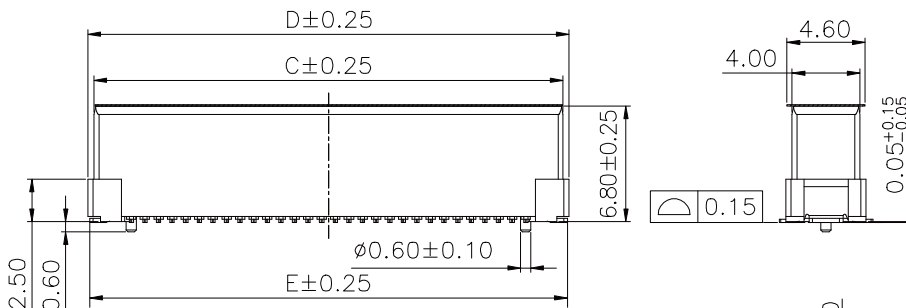
S.M.T.



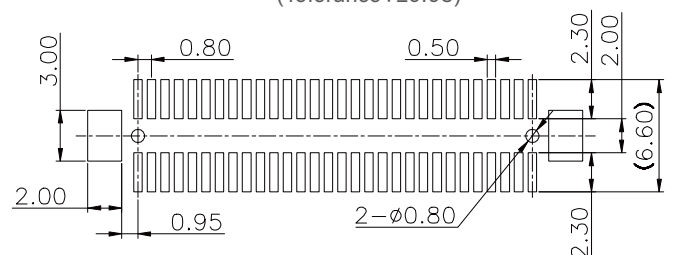
DIMENSION DRAWINGS



Pin NO.	A	B	C	D	E
2x30	23.20	26.40	27.60	28.30	28.10
2x40	31.20	34.40	35.60	36.30	36.10



Recommended P.C.Board
Layout
(Tolerance : ±0.05)



Mates with

Serial No.	Mating Height	Page
CFLT-XX-V0AX-MQ	11.25-12.75mm	36
CFLT-XX-V08X-MQ	7.5-9.0mm	42

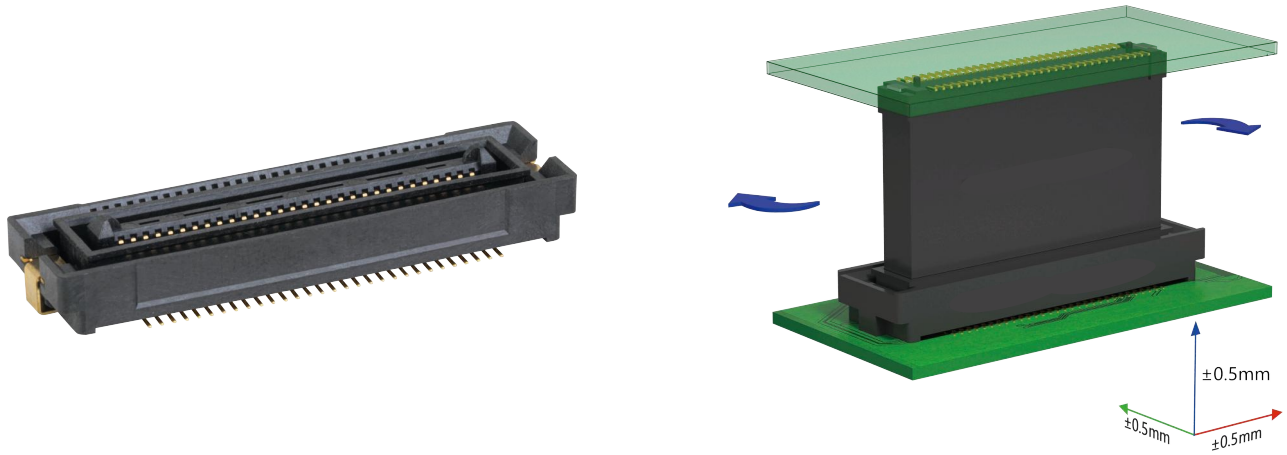
0.80mm

CFLT-XX-V08X-MQ

SERIES

FLOATING SIDE

S.M.T.



PRODUCT SPECIFICATIONS

Current Rating	0.5 Amp / Pin
Contact Resistance	100 mΩ Max
Dielectric Withstanding Voltage	250VAC
Insulation Resistance	500 MΩ Min.
Operating Temperature	-40°C to + 105° C

ORDERING INFORMATION

CFLT	-	XX	V08X	M	Q
		No. of Pins per Row	Short Spcification Code	Pin Shape	Packing
		10 30 40 60		SMT, Straight	Reel + Mylar
		80 100			

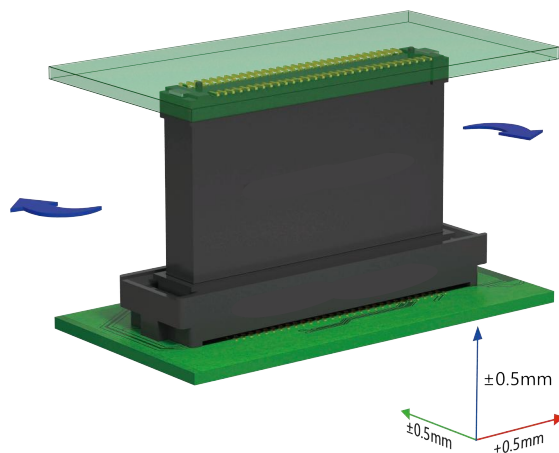
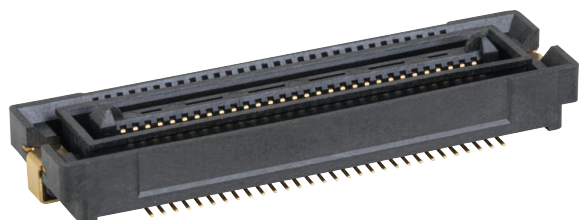
0.80mm

CFLT-XX-V08X-MQ

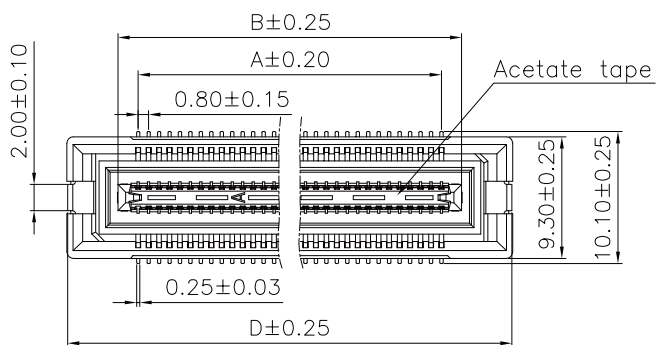
SERIES

FLOATING SIDE

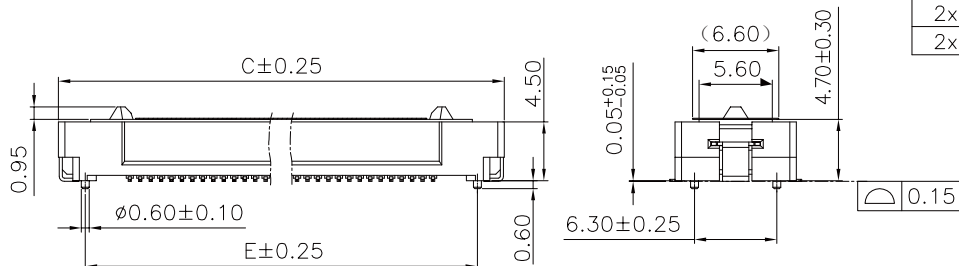
S.M.T.



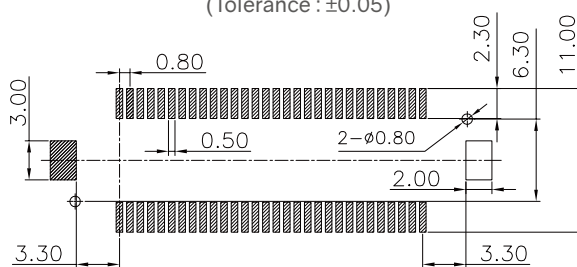
DIMENSION DRAWINGS



Pin NO.	A	B	C	D	E
2x30	23.20	26.30	34.10	34.00	30.00
2x40	31.20	34.30	42.10	42.00	38.00
2x50	39.20	42.30	50.10	50.00	46.00



Recommended P.C.Board Layout
(Tolerance : ±0.05)



Mates with

Serial No.	Mating Height	Page
CFLT-XX-V09X-MQ	8.5-10.0mm	38
CFLT-XX-V0NX-MQ	7.5-9.0mm	40
CFLT-XX-V0DX-MQ	20.45-21.9mm	44

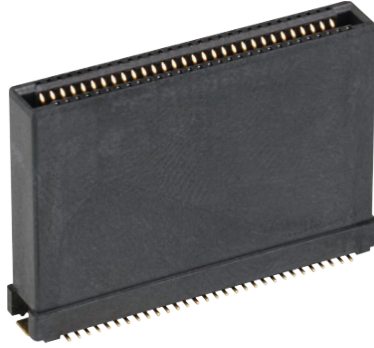
0.80mm

CFLT-XX-V0DX-MQ

SERIES

FIXED SIDE

S.M.T.



PRODUCT SPECIFICATIONS

Current Rating	0.5 Amp / Pin
Contact Resistance	100 mΩ Max
Dielectric Withstanding Voltage	250VAC
Insulation Resistance	500 MΩ Min.
Operating Temperature	-40°C to + 105° C

ORDERING INFORMATION

CFLT - XX V0DX M Q

No. of Pins per Row	Short Specification Code	Pin Shape	Packing
30 40 60 80		SMT, Straight	Reel + Mylar
100			

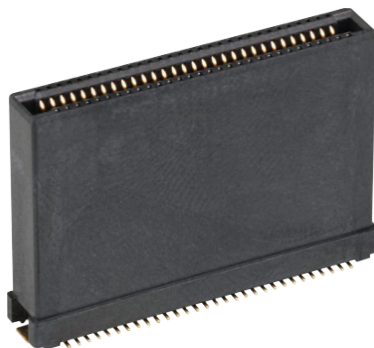
0.80mm

CFLT-XX-V0DX-MQ

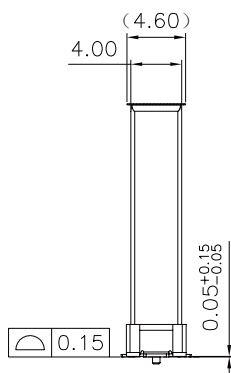
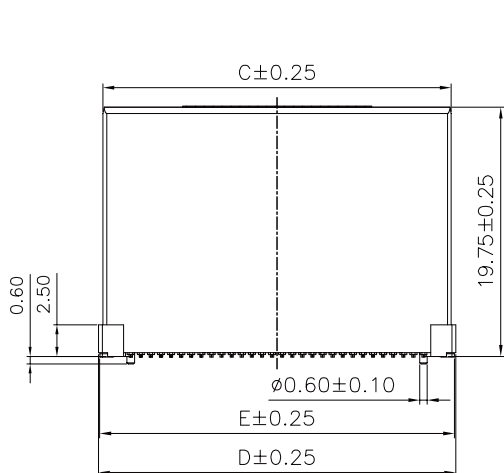
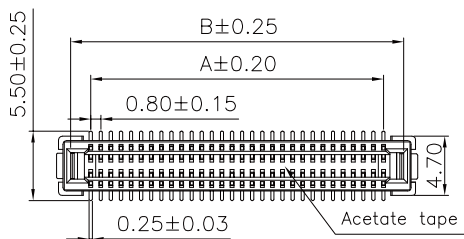
SERIES

FIXED SIDE

S.M.T.

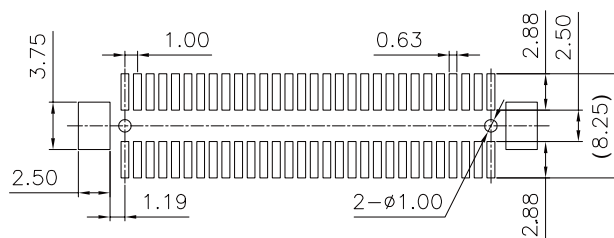


DIMENSION DRAWINGS



Pin NO.	A	B	C	D	E
2x30	23.20	26.40	27.60	28.30	28.10
2x40	31.20	34.40	35.60	36.30	36.10
2x50	39.20	42.40	43.60	44.30	44.10

Recommended P.C.Board
Layout
(Tolerance : ±0.05)



Mates with

Serial No.	Mating Height	Page
CFLT-XX-V0AX-MQ	24.2-25.7mm	36
CFLT-XX-V08X-MQ	20.45-21.95mm	42

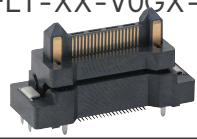


| Selection

PITCH 0.50mm


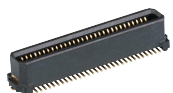


FLOATING SIDE SMT	FIXED SIDE SMT	HEIGHT RANGE (mm)	FLOATING TOLERANCE
CFLT-XX-V00X-MS 	CFLT-XX-V01X-MQ 	7.2-9.4mm	X-axis±0.5mm Y-axis±0.5mm
CFLT-XX-V02X-MQ 	CFLT-XX-V03X-MQ 	29.5-31.0mm	
	CFLT-XX-V0LX-MQ 	17.5-19.0mm	
	CFLT-XX-V0MX-MQ 	24.5-26.0mm	
CFLT-XX-V0JX-MQ 	CFLT-XX-V0HX-MQ 	19.5-21.0mm	X-axis±0.6mm Y-axis±0.6mm
	CFLT-XX-V0KX-NR 	21.4-22.3mm	
CFLT-XX-V0GX-MQ 	CFLT-XX-V0HX-MQ 	14.5-16.0mm	X-axis±0.6mm Y-axis±0.6mm
	CFLT-XX-V0KX-NR 	16.3-17.2mm	
CFLT-XX-V0EX-MQ 	CFLT-XX-V0FX-MQ 	9.5-11.0mm	X-axis±0.6mm Y-axis±0.6mm

| Selection

PITCH 0.50mm


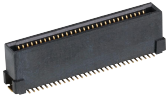
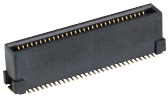

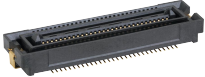
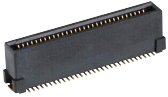
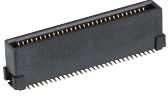

FLOATING SIDE SMT	FLOATING SIDE SMT	HEIGHT RANGE (mm)	FLOATING TOLERANCE
	CFLT-XX-V0IX-MQ 	18.0-20.0mm	X-axis±1.2mm Y-axis±1.2mm
	CFLT-XX-V0GX-MQ 	13.0-15.0mm	X-axis±1.2mm Y-axis±1.2mm
FIXED SIDE SMT	FIXED SIDE SMT	HEIGHT RANGE (mm)	
	CFLT-XX-V0HX-MQ 	11.0-12.0mm	
	CFLT-XX-V0KX-NR 	12.1-13.0mm	

PITCH 0.635mm

FLOATING SIDE SMT	FIXED SIDE SMT	HEIGHT RANGE (mm)	FLOATING TOLERANCE
	CFLT-XX-V05X-MQ 	5.8-7.3mm	X-axis±0.7mm Y-axis±0.7mm
	CFLT-XX-V06X-MQ 	9.5-11.0mm	
	CFLT-XX-V07X-MQ 	14.5-16.0mm	

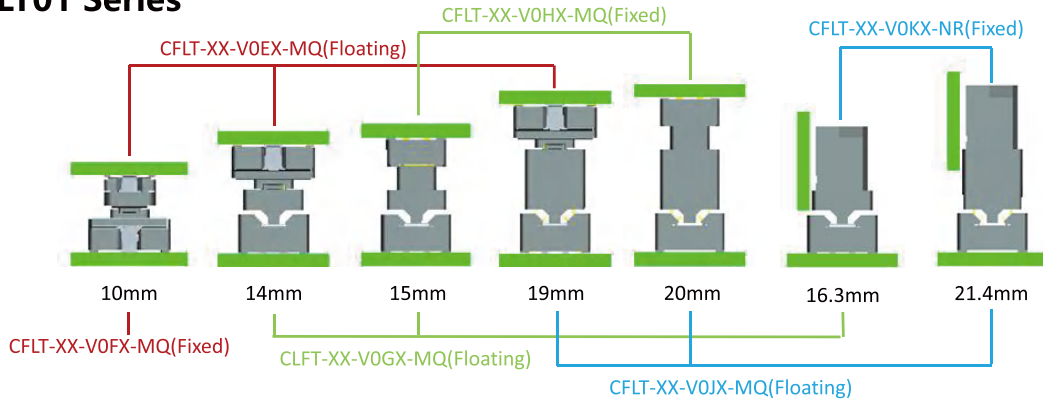
| Selection

PITCH 0.80mm

FLOATING SIDE SMT	FIXED SIDE SMT	HEIGHT ABILITY (mm)	FLOATING TOLERANCE
	CFLT-XX-V09X-MQ 	12.25-13.75mm	X-axis±0.8mm Y-axis±0.8mm
	CFLT-XX-V0NX-MQ 	11.25-12.75mm	
	CFLT-XX-V0DX-MQ 	24.20-25.70mm	
	CFLT-XX-V09X-MQ 	8.50-10.00mm	X-axis±0.5mm Y-axis±0.5mm
	CFLT-XX-V0NX-MQ 	7.50-9.00mm	
	CFLT-XX-V0DX-MQ 	20.45-21.95mm	

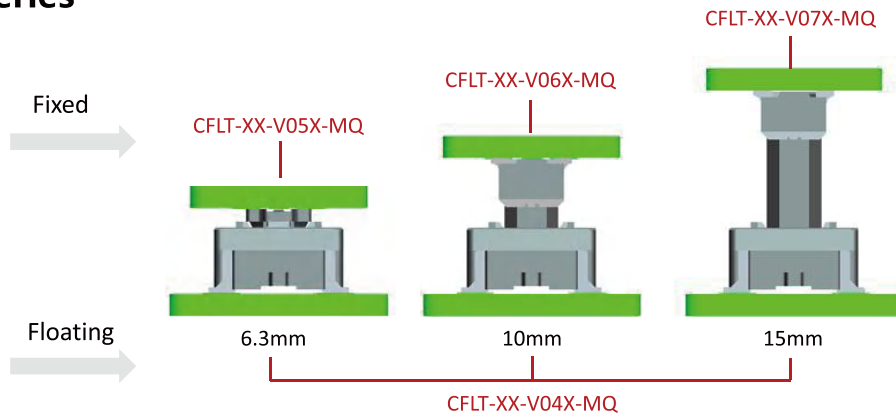
Selection

CFLT01 Series



Series	Pitch (mm)	Part Number		Matching Height (mm)			Pin Number					Movement (mm)		Remark	
		Male (Floating)	Female (Fixed)	Type	Standard	Effective	20	40	60	80	100	120	X axes		Y axes
CFLT01	0.50	CFLT-XX-V0FX-MQ	CFLT-XX-V0EX-MQ	Straight	10	9.5~11.0	✓	✓	✓	✓	✓	✓	0.6	0.6	Power Pin(3A)+8Gbps
		CFLT-XX-V0GX-MQ	CFLT-XX-V0EX-MQ	Straight	14	13.0~15.0	✓	✓	✓	✓	✓	✓	1.2	1.2	Power Pin(3A)+8Gbps
		CFLT-XX-V0GX-MQ	CFLT-XX-V0HX-MQ	Straight	15	14.5~16.0	✓	✓	✓	✓	✓	✓	0.6	0.6	Power Pin(3A)+8Gbps
		CFLT-XX-V0JX-MQ	CFLT-XX-V0EX-MQ	Straight	19	18.0~20.0	✓	✓	✓	✓	✓	✓	1.2	1.2	Power Pin(3A)+8Gbps

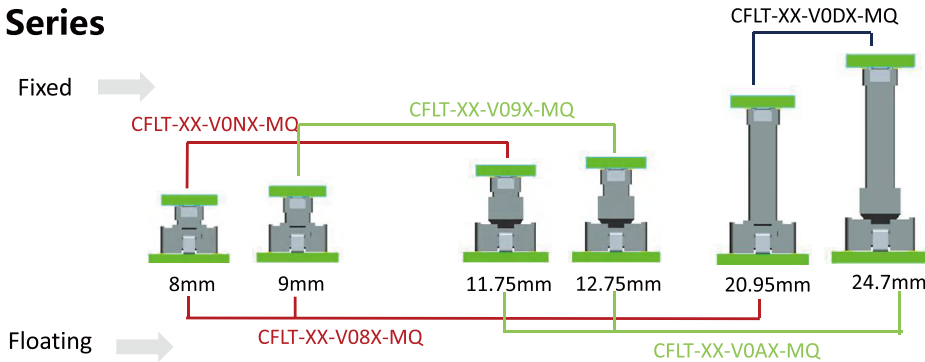
CFLT02 Series



Series	Pitch (mm)	Part Number		Matching Height (mm)			Pin Number				Movement (mm)		Remark
		Male (Floating)	Female (Fixed)	Type	Standard	Effective	30	40	60	80	X axes	Y axes	
CFLT02	0.635	CFLT-XX-V04X-MQ	CFLT-XX-V05X-MQ	Straight	6.3	5.8~7.3	✓	✓	✓	✓	0.7	0.7	
		CFLT-XX-V04X-MQ	CFLT-XX-V06X-MQ	Straight	10	9.5~11.0	✓	✓	✓	✓	0.7	0.7	
		CFLT-XX-V04X-MQ	CFLT-XX-V07X-MQ	Straight	15	14.5~16.0	✓	✓	✓	✓	0.7	0.7	

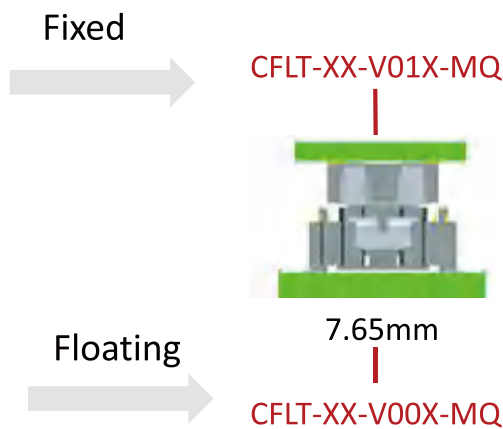
| Selection

CFIT03 Series



Series	Pitch (mm)	Part Number		Matching Height (mm)			Pin Number					Movement (mm)		Remark	
		Male (Floating)	Female (Fixed)	Type	Standard	Effective	10	30	40	60	80	100	X axes		Y axes
CFLT03	0.8	CFLT-XX-V08X-MQ	CFLT-XX-VONX-MQ	Straight	8	7.85~9.0		√	√	√	√		0.5	0.5	
		CFLT-XX-V08X-MQ	CFLT-XX-V09X-MQ	Straight	9	8.5~10.0	√	√	√	√	√		0.5	0.5	
		CFLT-XX-V0AX-MQ	CFLT-XX-VONX-MQ	Straight	11.75	11.25~12.25		√	√	√	√		0.8	0.8	
		CFLT-XX-V0AX-MQ	CFLT-XX-V09X-MQ	Straight	12.75	12.25~13.75		√	√	√	√		0.8	0.8	
		CFLT-XX-V08X-MQ	CFLT-XX-V0DX-MQ	Straight	20.95	20.45~21.95		√	√	√	√	√	0.5	0.5	
		CFLT-XX-V0AX-MQ	CFLT-XX-V0DX-MQ	Straight	24.7	24.2~25.7		√	√	√	√		0.8	0.8	

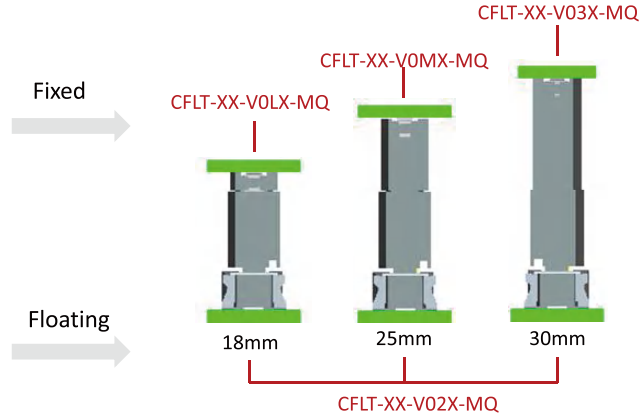
CFLT04 Series



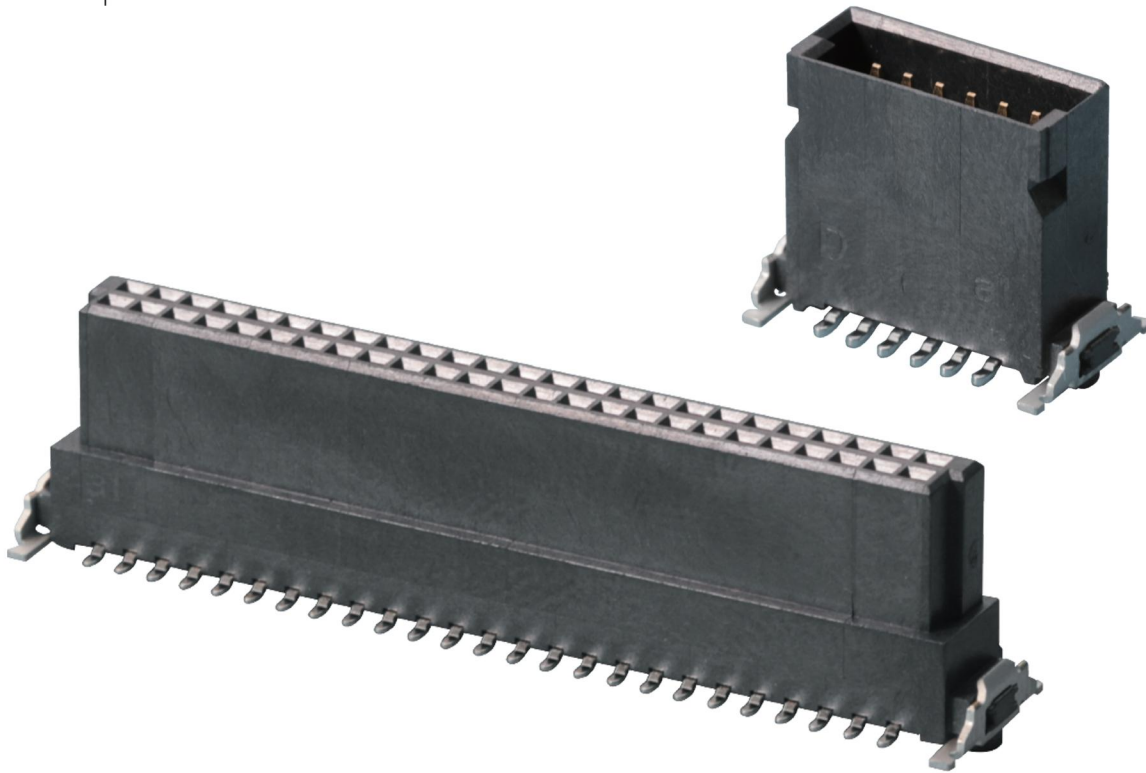
Series	Pitch (mm)	Part Number		Matching Height (mm)			Pin Number		Movement (mm)		Remark
		Male (Floating)	Female (Fixed)	Type	Standard	Effective	30	40	X axes	Y axes	
CFLT04	0.5	CFLT-XX-V00X-MQ	CFLT-XX-V01X-MQ	Straight	7.65	7.2~9.4	√	√	0.5	0.5	

| Selection

CFLT05 Series



Series	Pitch (mm)	Part Number		Matching Height (mm)			Pin Number								Movement (mm)		Remark
		Male (Floating)	Female (Fixed)	Type	Standard	Effective	30	40	60	80	100	120	140	160	X axis	Y axis	
CFLT 5	0.5	CFLT-XX-V02X-MQ	CFLT-XX-V0LX-MQ	Straight	18	17.5~19.0	√	√	√	√	√	√	√	√	0.5	0.5	8Gbps
		CFLT-XX-V02X-MQ	CFLT-XX-V0MX-MQ	Straight	25	24.5~26.0	√	√	√	√	√	√	√	√	0.5	0.5	8Gbps
		CFLT-XX-V02X-MQ	CFLT-XX-V03X-MQ	Straight	30	29.5~31.0	√	√	√	√	√	√	√	√	0.5	0.5	8Gbps



High-Speed Connector

Board-to-Board

5G Networks, LTE / Network Switches and Wireless Routers
Radars and Gateways / Power Supplies / Remote Radio Units

CONCEPT

■ GENERAL

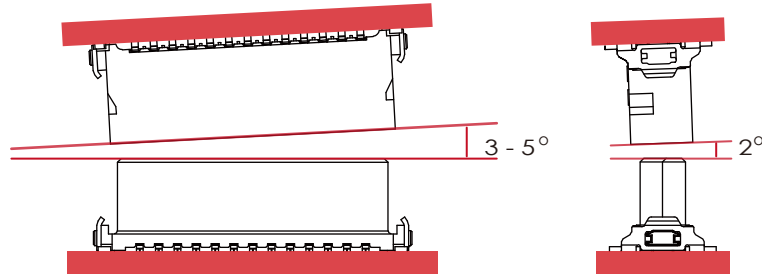
The system series is designed specifically with robust terminals and high-temperature plastic for high-speed industrial applications. The unique contact structure allows it to maintain a steady impedance profile, which ultimately minimizes both the noise and signal loss over the connectivity, with a potential secure data transmission up to 8Gbps. (4Gbps differential signaling, two pairs are driven.)

■ SPECIFICATION

Electrical	Description	Standard
Current Rating	0.8Amp per pin 12Pin Max. can load 1.7Amp per pin at ambient temperature 85°C	
Withstand Voltage	AC 500V	EIA-364-20
Contact Resistance	25 mΩ or lower	EIA-364-23
Insulation Resistance	10000 MΩ or higher	EIA-364-21
Temperature Rise	ΔT30°C Maximum	EIA-364-70
Mechanical	Description	Standard
Mechanical Shock	Instant rupture ≤ 1 μs Max.	
Durability	500 cycles	EIA-364-09
Contact Retention Force	≥ 0.1N / Pin	EIA-364-37
Mating / Unmating Force	≤ 0.5N / Pin	EIA-364-13
Vibration, Sine	Instant rupture ≤ 1 μs Max.	EIA-364-28
Shock, Half Sine	Instant rupture ≤ 1 μs Max.	EIA-364-27
Environment	Description	Standard
Operating Temperature / Humidity	-55°C to 105°C / 85% or lower	
Salt Spray	Test Condition: Atmosphere: 5% salt-solution	EIA-364-26
Thermal Shock	No puncture, contact resistance <35mΩ	EIA-364-32
Temperature Life	Test Condition: 105°C, 96 hrs.	EIA-364-17
Humidity Test	Test Condition: 40±2°C, 90-95% RH, 96 hrs.	EIA-364-31
Resistance to Soldering Heat	Peak Temp.: 260°C/10s Maximum	EIA-364-56

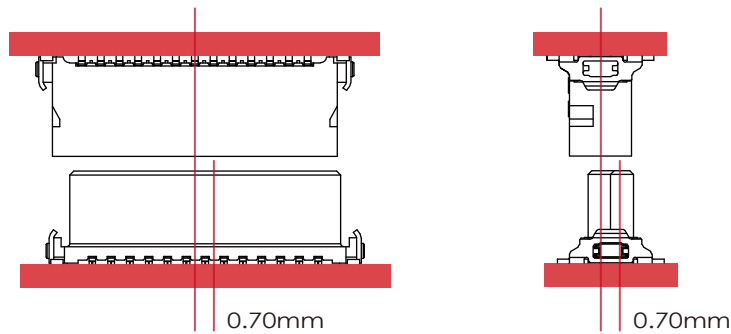
CHARACTERISTICS

■ ALLOWED DEGREE OF ANGULAR MISALIGNMENT THAT ENSURES A SECURE MATING PROCESS



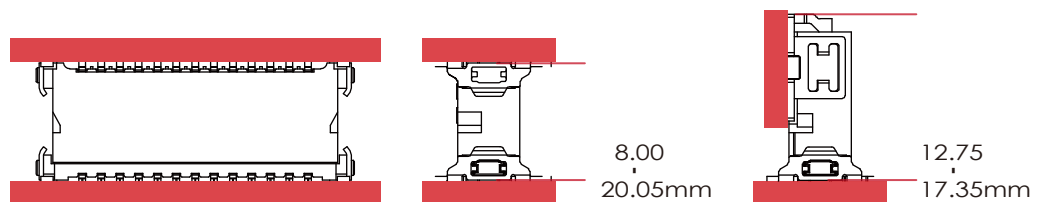
The allowable horizontal angular misalignment is 3 to 5° (dependent on the number of pins); and, the allowable vertical angular misalignment is 2° Max.

■ ALLOWED LINEAR MISALIGNMENT THAT ENSURES A SECURE MATING PROCESS



The allowable horizontal and vertical linear misalignment is: $\pm 0.70\text{mm}$ Max.

■ CAPABILITIES

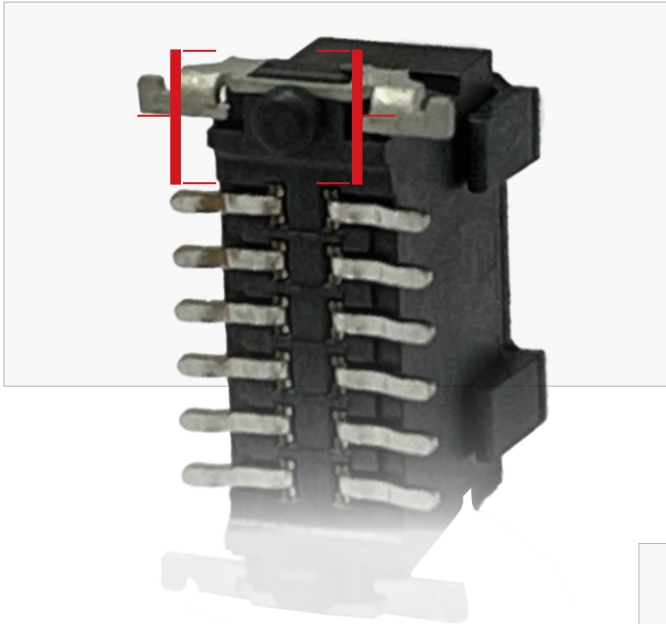


The effective mating distances between PCBs using these board-to-board connectors are shown in the figures above.

■ APPLICATIONS

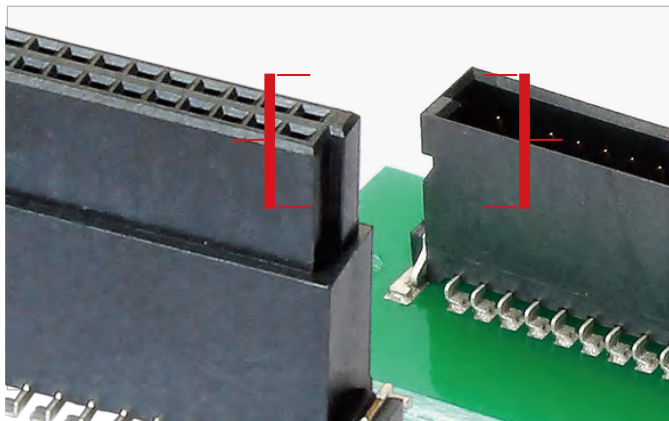
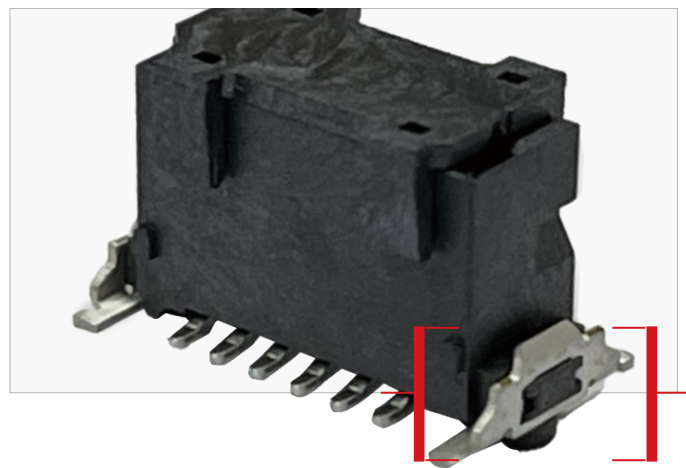
Automotive: charging systems, battery management systems, motor controllers
 Industrial: factory equipment, production line controls, large drives
 Telecommunication: portable monitoring equipment, data collectors, mobile maintenance and display control systems, trackside and roadside monitors

ADVANTAGES



■ POSITIONING POSTS

■ ROBUST SOLDER CLIPS



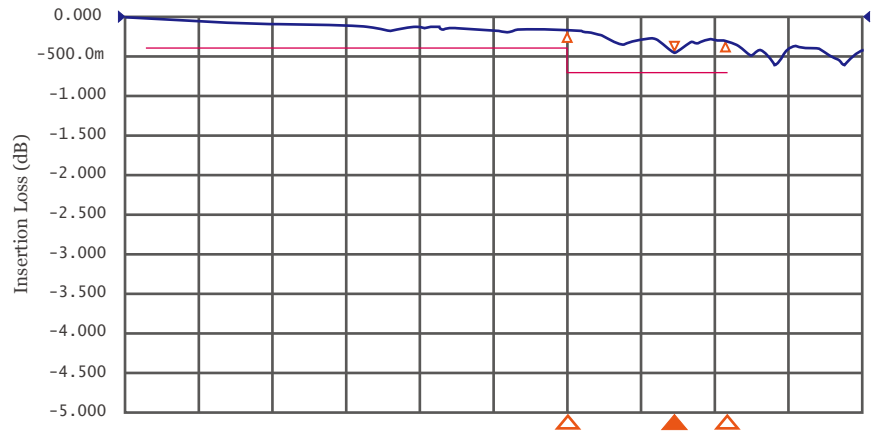
■ CHAMFER

HIGH FREQUENCY CHARACTERISTICS

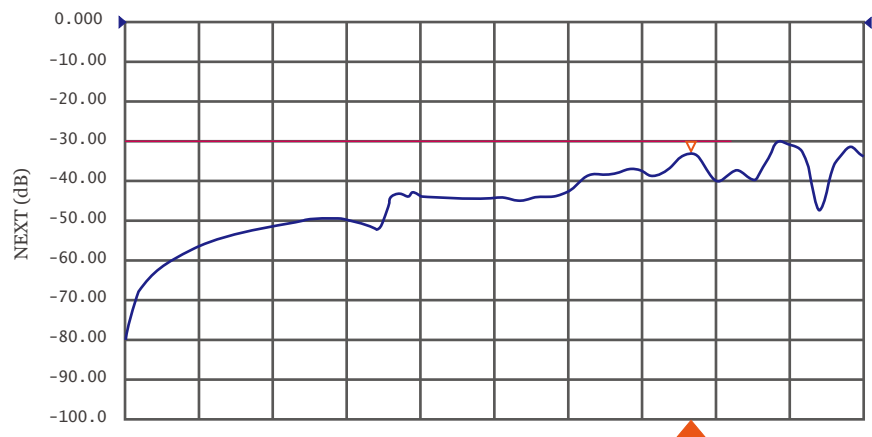
■ HIGH SPEED DATA TRANSMISSION

These series of connectors are designed specifically for secure data transmission, with a potential transmission rate of up to 8Gbps. Aside from their reliable high-speed performance, they are also robust making them ideal for any kind of high-speed application.

■ INSERTION LOSS



■ NEAR END CROSSTALK

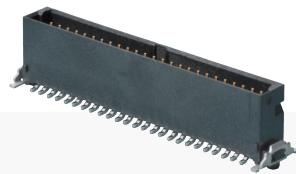


Board-to-Board

MALE

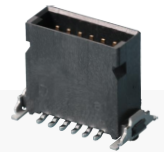
01

LSH-xx-VA



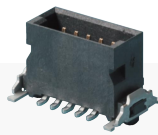
02

LSH-xx-VC



03

LSH-xx-VB



04

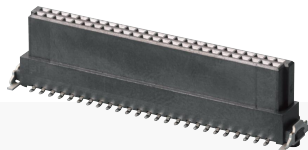
LSH-xx-VD



FEMALE

05

CFB-xx-VB



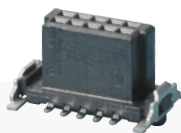
06

CFB-xx-VC



07

CFB-xx-VA



08

CFB-xx-VD



LSH-xx-VA

SERIES

Male

S.M.T



PRODUCT SPECIFICATIONS

Current Rating: 0.8Amp per pin

12Pin Max. can load 1.7Amp per pin at ambient temperature 85 °C

Contact Resistance : 25 mΩ Max.

Dielectric Withstanding Voltage : 500 VAC

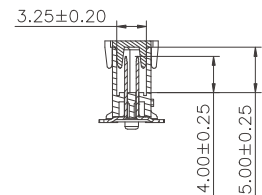
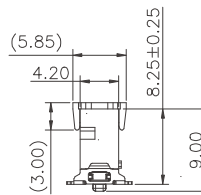
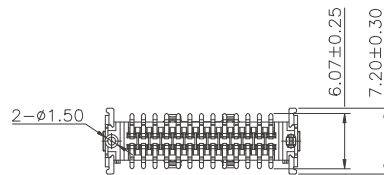
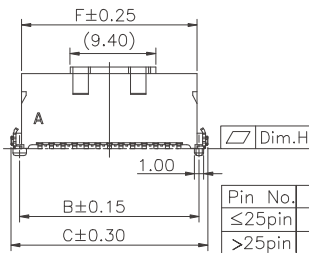
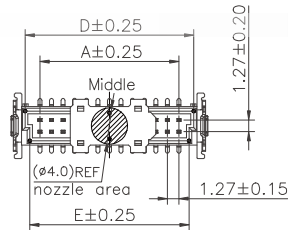
Insulation Resistance : 10000 MQ Min.

Operating Temperature: -55°C to +105°C

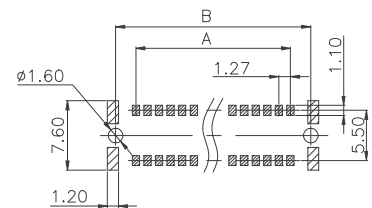
All materials must meet CequalSC hazardous substances control standards.

No. of PIN/ROW	Dimension Information					
	A	B	C	D	E	F
2x05	5.08	9.50	11.43	8.30	7.30	9.08
2x06	6.35	10.77	12.70	9.57	8.57	10.35
2x08	8.89	13.31	15.24	12.11	11.11	12.89
2x10	11.43	15.85	17.78	14.65	13.65	15.43
2x13	15.24	19.66	21.59	18.46	17.46	19.24
2x16	19.05	23.47	25.40	22.27	21.27	23.05
2x20	24.13	28.55	30.48	27.35	26.35	28.13
2x25	30.48	34.90	36.83	33.70	32.70	34.48
2x34	41.91	46.33	48.26	45.13	44.13	45.91
2x40	49.53	53.95	55.88	52.75	51.75	53.53

DIMENSIONAL DRAWINGS



Recommended PC.Board Layout
(Tolerance:±0.05)



ORDERING INFORMATION

LSH -

No. of Pins

05 10 20 34 40

06 13 25

08 16

- VA

Standard Plating

C : Au 5u"/Matte tin

Selective Plating

D : Au 10u"/Matte tin

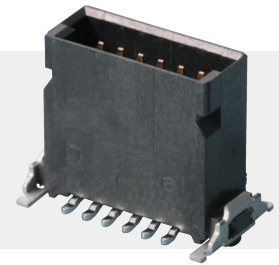
1- MS

LSH-xx-VC

SERIES

Male

S.M.T



PRODUCT SPECIFICATIONS

Current Rating: 0.8Amp per pin

12Pin Max. can load 1.7Amp per pin at ambient temperature 85 °C

Contact Resistance : 25 mΩ Max.

Dielectric Withstanding Voltage : 500 VAC

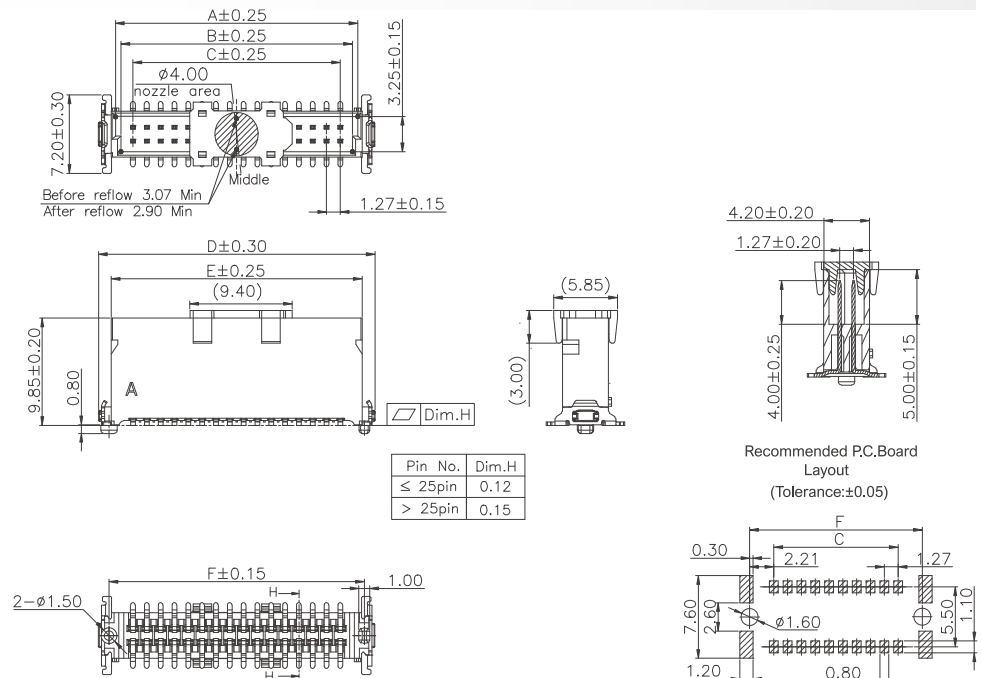
Insulation Resistance : 10000 MQ Min.

Operating Temperature: -55°C to +105°C

All materials must meet CequalisC hazardous substances control standards.

No. of PIN/ROW	Dimension Information					
	A	B	C	D	E	F
2x5	8.30	7.30	5.08	11.43	9.08	9.50
2x6	9.57	8.57	6.35	12.70	10.35	10.77
2x8	12.11	11.11	8.89	15.24	12.89	13.31
2x10	14.65	13.65	11.43	17.78	15.43	15.85
2x13	18.46	17.46	15.24	21.59	19.24	19.66
2x16	22.27	21.27	19.05	25.40	23.05	23.47
2x20	27.35	26.35	24.13	30.48	28.13	28.55
2x25	33.70	32.70	30.48	36.83	34.48	34.90
2x34	45.13	44.13	41.91	48.26	45.91	46.33
2x40	52.75	51.75	49.53	55.88	53.53	53.95

DIMENSIONAL DRAWINGS



ORDERING INFORMATION

LSH - [XX]

No. of Pins

05 10 20 34 40

06 13 25

08 16

- VC [X]

Standard Plating

[C] : Au 5u"/Matte tin

Selective Plating

[D] : Au 10u"/Matte tin

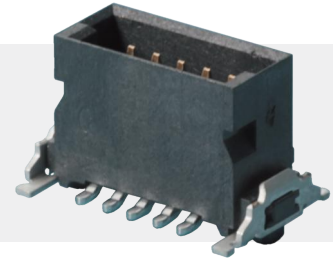
1- MS

LSH-xx-VB

SERIES

Male

S.M.T



PRODUCT SPECIFICATIONS

Current Rating: 0.8Amp per pin

12Pin Max. can load 1.7Amp per pin at ambient temperature 85 °C

Contact Resistance : 25 mΩ Max.

Dielectric Withstanding Voltage : 500 VAC

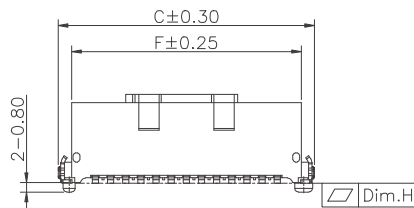
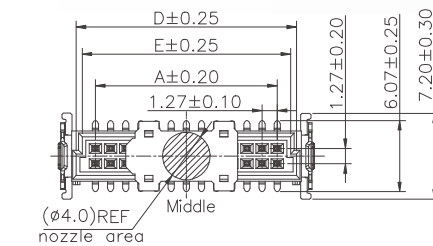
Insulation Resistance : 10000 MQ Min.

Operating Temperature: -55 °C to +105 °C

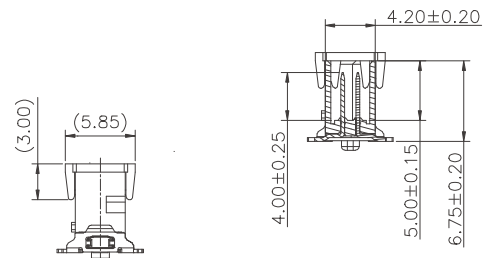
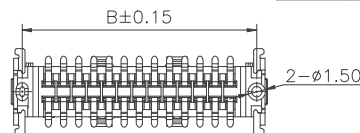
All materials must meet CequalSC hazardous substances control standards.

No. of PIN/ROW	Dimension Information					
	A	B	C	D	E	F
2x05	5.08	9.50	11.30	8.30	7.30	9.08
2x06	6.35	10.77	12.57	9.57	8.57	10.35
2x08	8.89	13.31	15.11	12.11	11.11	12.89
2x10	11.43	15.85	17.65	14.65	13.65	15.43
2x13	15.24	19.66	21.46	18.46	17.46	19.24
2x16	19.05	23.47	25.27	22.27	21.27	23.05
2x20	24.13	28.55	30.35	27.35	26.35	28.13
2x25	30.48	34.90	36.70	33.70	32.70	34.48
2x34	41.91	46.33	48.13	45.13	44.13	45.91
2x40	49.53	53.95	55.75	52.75	51.75	53.53

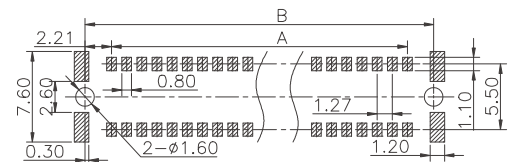
DIMENSIONAL DRAWINGS



Pin No.	Dim.H
≤25Pin	0.12
>25Pin	0.15



Recommended P.C. Board layout
 (Tolerance: ±0.05)



ORDERING INFORMATION

LSH -

No. of Pins	
<input type="checkbox"/> 05	<input type="checkbox"/> 10
<input type="checkbox"/> 06	<input type="checkbox"/> 13
<input type="checkbox"/> 08	<input type="checkbox"/> 16
<input type="checkbox"/> 20	<input type="checkbox"/> 34
<input type="checkbox"/> 25	<input type="checkbox"/> 40

- VB

Standard Plating	
<input type="checkbox"/> C	: Au 5u"/Matte tin
Selective Plating	
<input type="checkbox"/> D	: Au 10u"/Matte tin

1- MS

LSH-xx-VD

SERIES

Male

S.M.T R/A



PRODUCT SPECIFICATIONS

Current Rating: 0.8Amp per pin

12Pin Max. can load 1.7Amp per pin at ambient temperature 85 °C

Contact Resistance : 25 mΩ Max.

Dielectric Withstanding Voltage : 500 VAC

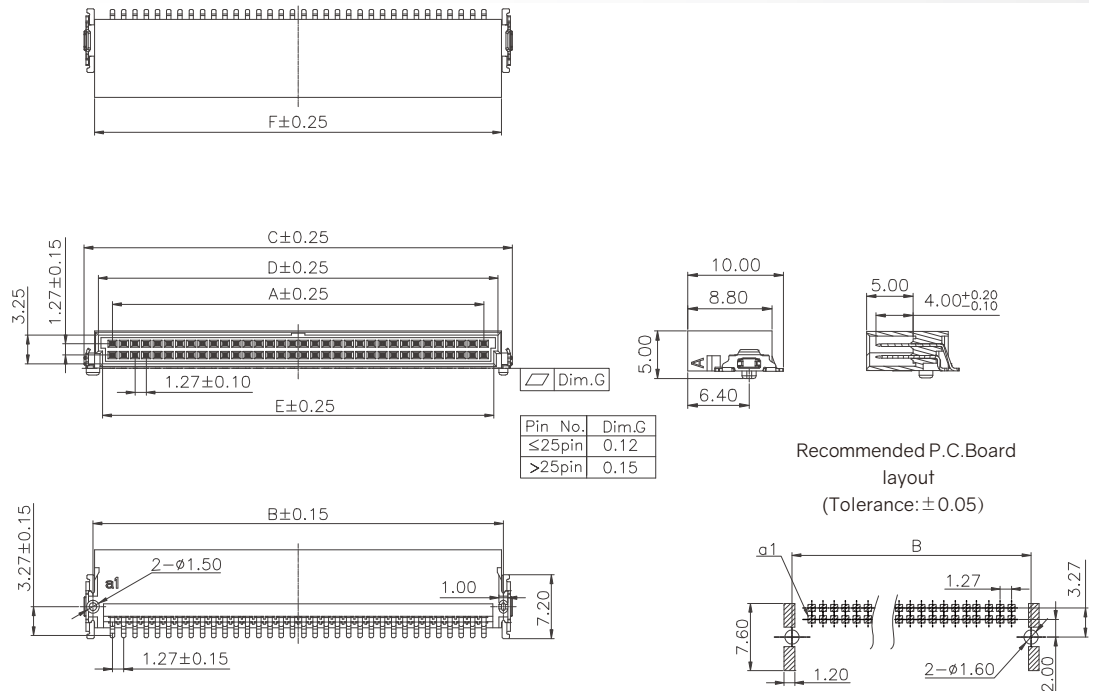
Insulation Resistance : 10000 MQ Min.

Operating Temperature: -55°C to +105°C

All materials must meet CequalisC hazardous substances control standards.

No. of PIN/ROW	Dimension Information					
	A	B	C	D	E	F
2X05	5.08	9.50	11.50	8.30	7.30	9.10
2X06	6.35	10.77	12.77	9.57	8.57	10.37
2X08	8.89	13.31	15.31	12.11	11.11	12.91
2X10	11.43	15.85	17.85	14.65	13.65	15.45
2X13	15.24	19.66	21.66	18.46	17.46	19.26
2X16	19.05	23.47	25.47	22.27	21.27	23.07
2X20	24.13	28.55	30.55	27.35	26.35	28.15
2X25	30.48	34.90	36.90	33.70	32.70	34.50
2X30	36.83	41.25	43.25	40.05	39.05	40.85
2X34	41.91	46.33	48.33	45.13	44.13	45.93
2X40	49.53	53.95	55.95	52.75	51.75	53.55

DIMENSIONAL DRAWINGS



ORDERING INFORMATION

 LSH -

No. of Pins

 - VD

Standard Plating

 : Au 5u"/Matte tin

Selective Plating

 : Au 10u"/Matte tin

1- NR

CFB-xx-VB

SERIES

Female

S.M.T



PRODUCT SPECIFICATIONS

Current Rating: 0.8Amp per pin

12Pin Max. can load 1.7Amp per pin at ambient temperature 85 °C

Contact Resistance : 25 mΩ Max.

Dielectric Withstanding Voltage : 500 VAC

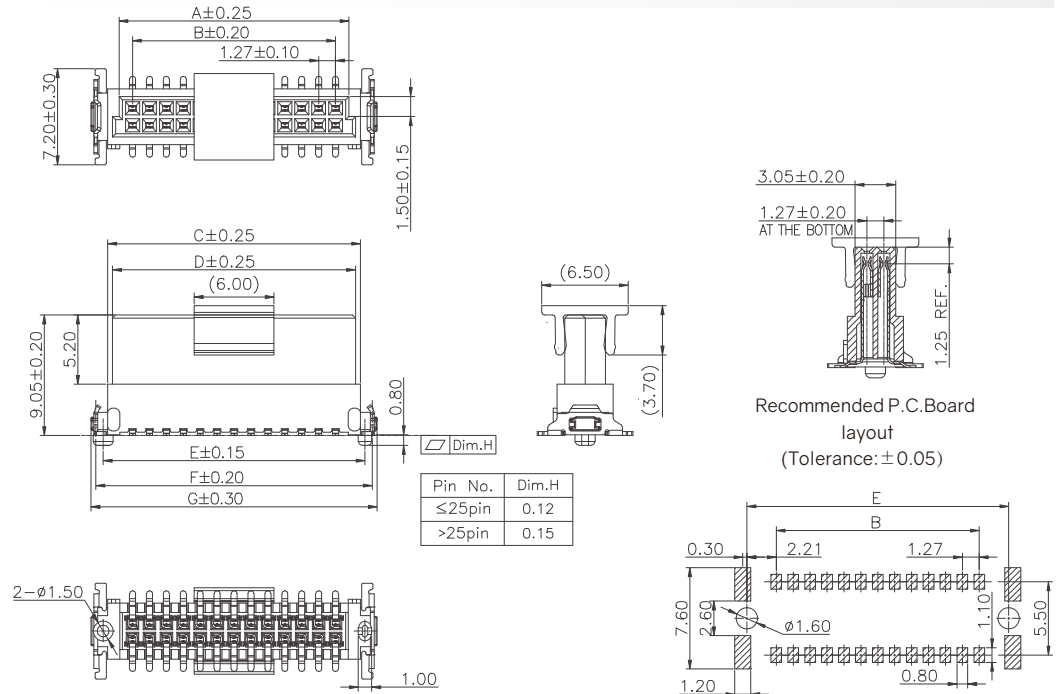
Insulation Resistance : 10000 MQ Min.

Operating Temperature: -55 °C to +105 °C

All materials must meet CequalSC hazardous substances control standards.

No. of PIN/ROW	Dimension Information						
	A	B	C	D	E	F	G
2x06	8.37	6.35	10.10	9.37	10.77	11.87	12.60
2x08	10.91	8.89	12.64	11.91	13.31	14.41	15.14
2x10	13.45	11.43	15.18	14.45	15.85	16.95	17.68
2x13	17.26	15.24	18.99	18.26	19.66	20.76	21.49
2x16	21.07	19.05	22.80	22.07	23.47	24.57	25.30
2x20	26.15	24.13	27.88	27.15	28.55	29.65	30.38
2x25	32.50	30.48	34.23	33.50	34.90	36.00	36.73
2x34	43.93	41.91	45.66	44.93	46.33	47.43	48.16
2x40	51.55	49.53	53.28	52.55	53.95	55.05	55.78

DIMENSIONAL DRAWINGS



ORDERING INFORMATION

CFB -

No. of Pins

06 10 20 34 40

08 13 25

16

- VB

Standard Plating

4 : Au 5u"/Matte tin

Selective Plating

5 : Au 10u"/Matte tin

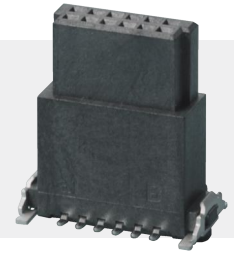
1- MS

CFB-xx-VC

SERIES

Female

S.M.T



PRODUCT SPECIFICATIONS

Current Rating: 0.8Amp per pin

12Pin Max. can load 1.7Amp per pin at ambient temperature 85 °C

Contact Resistance : 25 mΩ Max.

Dielectric Withstanding Voltage : 500 VAC

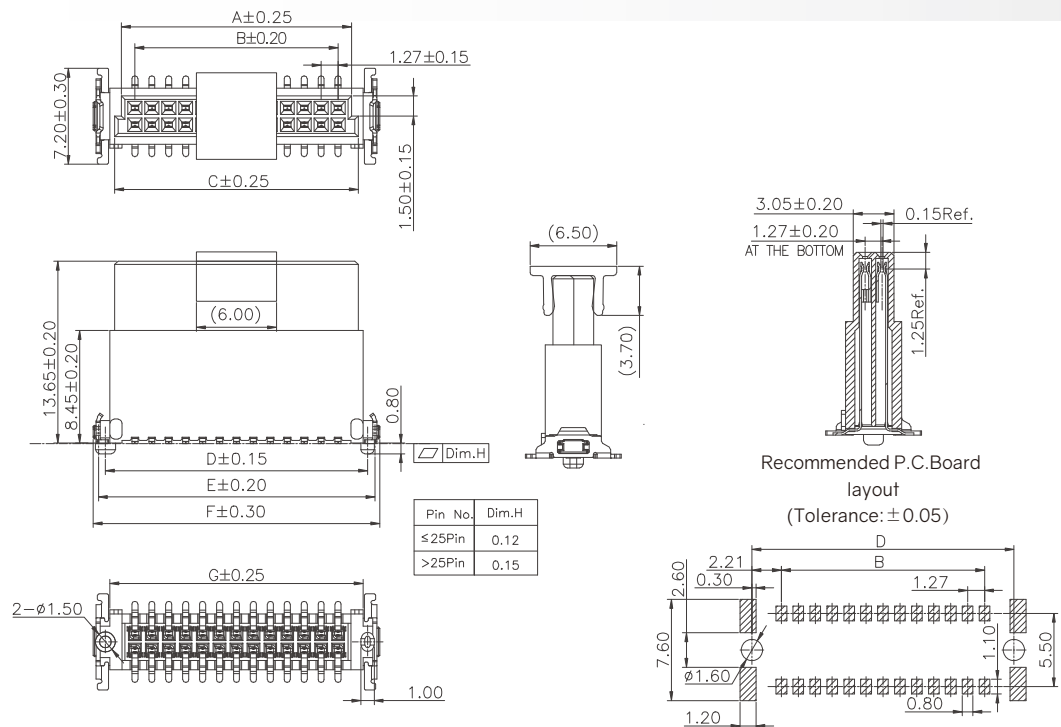
Insulation Resistance : 10000 MQ Min.

Operating Temperature: -55 °C to +105 °C

All materials must meet CequalsC hazardous substances control standards.

No. of PIN/ROW	Dimension Information						
	A	B	C	D	E	F	G
2x06	8.37	6.35	9.37	10.77	11.87	12.60	10.10
2x08	10.91	8.89	11.91	13.31	14.41	15.14	12.64
2x10	13.45	11.43	14.45	15.85	16.95	17.68	15.18
2x13	17.26	15.24	18.26	19.66	20.76	21.49	18.99
2x16	21.07	19.05	22.07	23.47	24.57	25.30	22.80
2x20	26.15	24.13	27.15	28.55	29.65	30.38	27.88
2x23	29.96	27.94	30.96	32.36	33.46	34.19	31.69
2x25	32.50	30.48	33.50	34.90	36.00	36.73	34.23
2x34	43.93	41.91	44.93	46.33	47.43	48.16	45.66
2x40	51.55	49.53	52.55	53.95	55.05	55.78	53.28

DIMENSIONAL DRAWINGS



ORDERING INFORMATION

 CFB -

No. of Pins

 - VC

Standard Plating

 : Au 5u"/Matte tin

Selective Plating

 : Au 10u"/Matte tin

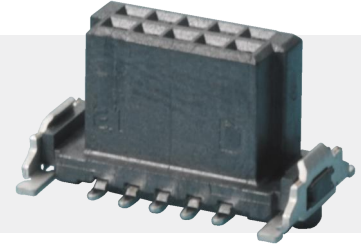
1- MS

CFB-xx-VA

SERIES

Female

S.M.T.



PRODUCT SPECIFICATIONS

Current Rating: 0.8Amp per pin

12Pin Max. can load 1.7Amp per pin at ambient temperature 85°C

Contact Resistance : 25 mΩ Max.

Dielectric Withstanding Voltage : 500 VAC

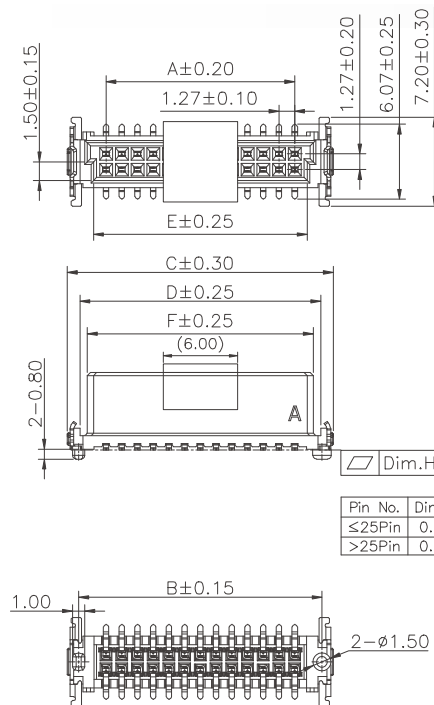
Insulation Resistance : 10000 MQ Min.

Operating Temperature: -55°C to +105°C

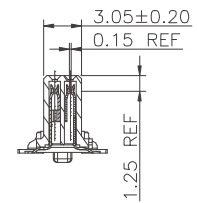
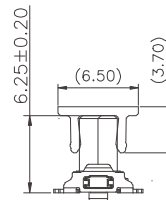
All materials must meet CequalSC hazardous substances control standards.

No. of PIN/ROW	Dimension Information					
	A	B	C	D	E	F
2X05	5.08	9.50	11.33	9.30	7.10	8.10
2X06	6.35	10.77	12.60	10.57	8.37	9.37
2X08	8.89	13.31	15.14	13.11	10.91	11.91
2X10	11.43	15.85	17.68	15.65	13.45	14.45
2X13	15.24	19.66	21.49	19.46	17.26	18.26
2X16	19.05	23.47	25.30	23.27	21.07	22.07
2X20	24.13	28.55	30.38	28.35	26.15	27.15
2X25	30.48	34.90	36.73	34.70	32.50	33.50
2X34	41.91	46.33	48.16	46.13	43.93	44.93
2X40	49.53	53.95	55.78	53.75	51.55	52.55

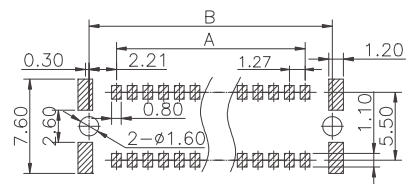
DIMENSIONAL DRAWINGS



Pin No.	Dim.H
≤25Pin	0.12
>25Pin	0.15



Recommended P.C.Board layout
 (Tolerance: ±0.05)



ORDERING INFORMATION

CFB -

No. of Pins

- VA

Standard Plating

: Au 5u"/Matte tin

Selective Plating

: Au 10u"/Matte tin

1- MS

CFB-xx-VD

SERIES **Female** **S.M.T. R/A**



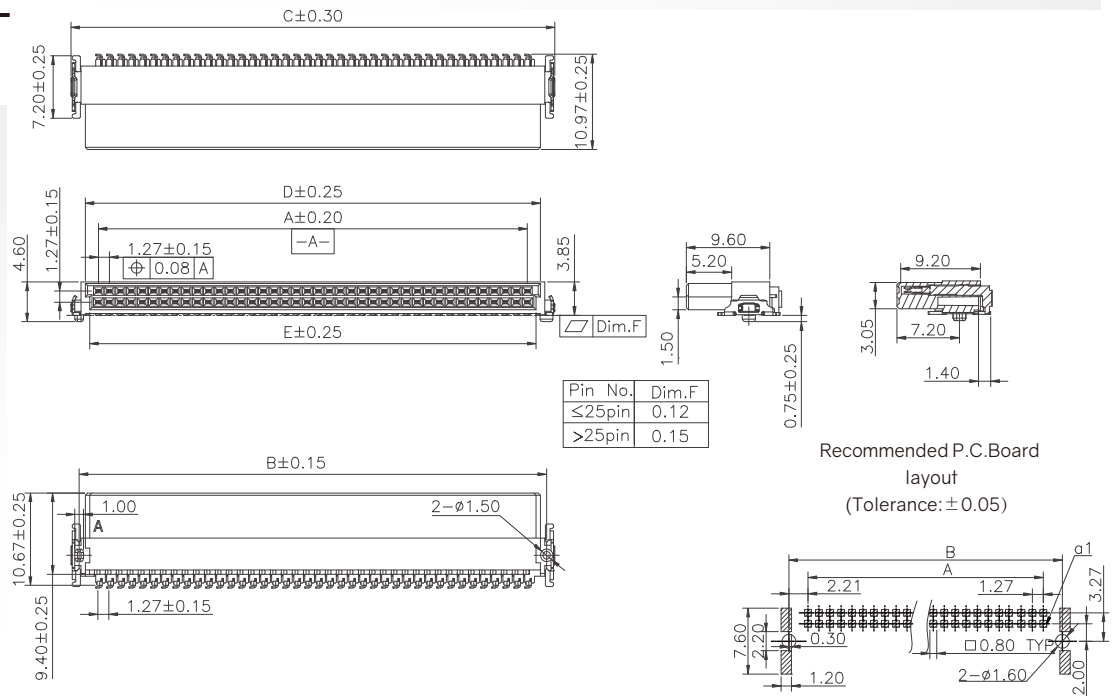
PRODUCT SPECIFICATIONS

Current Rating: 0.8Amp per pin
 12Pin Max. can load 1.7Amp per pin at ambient temperature 85 °C
 Contact Resistance : 25 mΩ Max.
 Dielectric Withstanding Voltage : 500 VAC
 Insulation Resistance : 10000 MQ Min.
 Operating Temperature: -55 °C to +105 °C

No. of PIN/ROW	Dimension Information				
	A	B	C	D	E
2X05	5.08	9.50	11.43	8.10	7.10
2X06	6.35	10.77	12.70	9.37	8.37
2X08	8.89	13.31	15.24	11.91	10.91
2X10	11.43	15.85	17.78	14.45	13.45
2X13	15.24	19.66	21.59	18.26	17.26
2X16	19.05	23.47	25.40	22.07	21.07
2X20	24.13	28.56	30.49	27.15	26.15
2X25	30.48	34.90	36.83	33.50	32.50
2X30	36.83	41.25	43.18	39.85	38.85
2X34	41.91	46.33	48.26	44.93	43.93
2X40	49.53	53.95	55.88	52.55	51.55

All materials must meet CequalisC hazardous substances control standards.

DIMENSIONAL DRAWINGS



ORDERING INFORMATION

CFB -

No. of Pins	
<input type="text" value="05"/>	<input type="text" value="10"/>
<input type="text" value="06"/>	<input type="text" value="13"/>
<input type="text" value="08"/>	<input type="text" value="16"/>

- VD

Standard Plating	
<input type="text" value="4"/>	: Au 5u"/Matte tin
Selective Plating	
<input type="text" value="5"/>	: Au 10u"/Matte tin

1- NR



Singapore (HQ)

1 Fusionopolis Place
Unit 320 Level 03
Galaxis West Lobby
Singapore 138522



Hong Kong

RM409, Tower One, Silvercord Centre
30 Canton Road, TST, Kowloon, Hong Kong.



China

Unit1104, International Science Building
Hongshan Road, Xiangzhou, Zhuhai
Guangdong, China



Germany

45731 Waltrop, Richtstrecke 13
Germany