

Connector Series

Board-to-board, wire-to-board, I/O, floating, waterproof, and high-speed connectors.

RGB01-RGB02.....	p5
CPCO-20 Series.....	p14
CMOD-40 Series.....	p18
Waterproof connector Series.....	p22
Rastlink Connector Series.....	p38
WTB&PCI&I/O Connector.....	p48
Floating Connector Series.....	p129
High Speed Connector Series.....	p181



CequalsC是RTS Connect的产品商标。RTS connect是CequalsC产品的唯一代表和独家销售渠道，为确保采购过程中为我们的企业客户和消费者提供透明度和优惠，我们恳请您在来购过程中优先考虑标有RTSConnect注册商标的产品。我们承诺这将为您的交易的质量和安提供最好的保证，

公司简介

RTS创立于2008年，专注于元器件及相关产品，为工控、汽车、医疗等各行业提供标准件及定制产品。秉持快速响应的服务理念，通过与客户的紧密协同，提供高质量、高一致性的货架产品和订制服务，助力客户项目的快速落地。

自成立以来，RTS已与多家国内和国际客户建立了长期、稳定的合作关系。



合作客户



一汽富晟



捷温



李尔



博世



德科斯米尔



哈曼

服务

从项目阶段开始直到产品周期结束，RTS CONNECT将在以下领域为您提供高水平的专业知识：

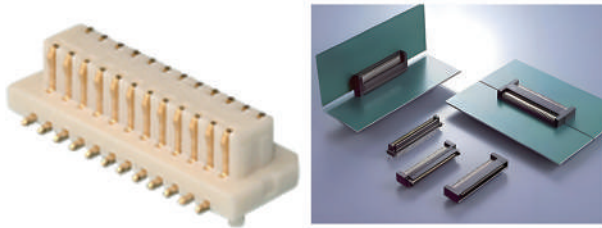
- 集成设计/成本目标设计
- 技术咨询
- PPAP文件和确认
- 质量管理和保证
- 批量生产
- 物流

产品领域

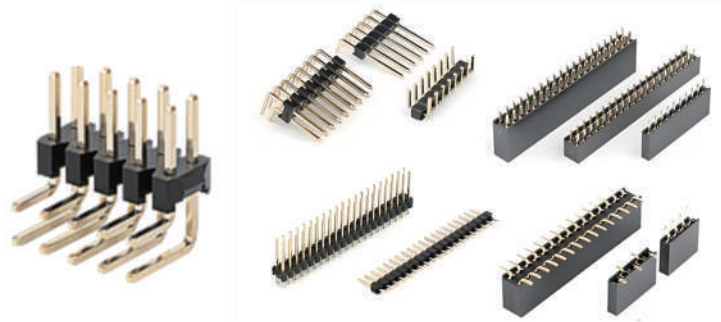
连接器

连接器用于连接不同的电气系统组，确保电流和信号的稳定传输。

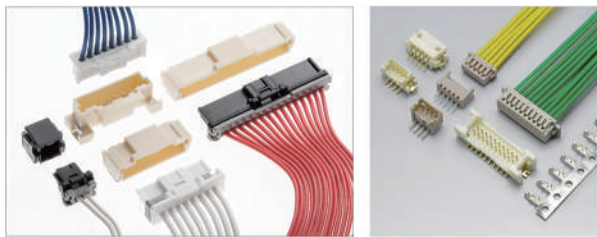
RTS的连接器的包含板对板、线对板、线对线、大电流等种类，同时可根据客户需求专业定制方案，短期高效帮助客户解决问题。



板对板



排针排母



板对线



I/O类



浮动系列



车载以太网



摄像头解决方案



定制化服务

金属件

RTS工厂可提供多种金属件，综合应用冲压、压铸、冷微等成型工艺，产品应用于工控机柜、消费类电子、汽车座椅、综合接地等方向。



导电硅橡胶

导电硅橡胶具有理想的屏蔽效能，适用于各种场合，既可作为EMI屏蔽也可以用作环境密封使用，同时我们特别推荐加强耐腐蚀和阻燃功能的产品。我们采用专有的导电填料技术，专业控制导电颗粒的成分、大小和结构，使其在树脂粘合剂中精确均匀地分布，从而达到稳定一致的电气和物理特性。我们可以提供挤压成形件、复合挤压成形件、板材、模切件、模制件(模制O形圈/D形圈等)和现场成形件，现货供应标准规格的系列产品，并可根据客户图纸专门进行产品定制。若有任何需求我们强大的产品工程团队随时欢迎您的咨询。



导电衬布垫&导电泡棉

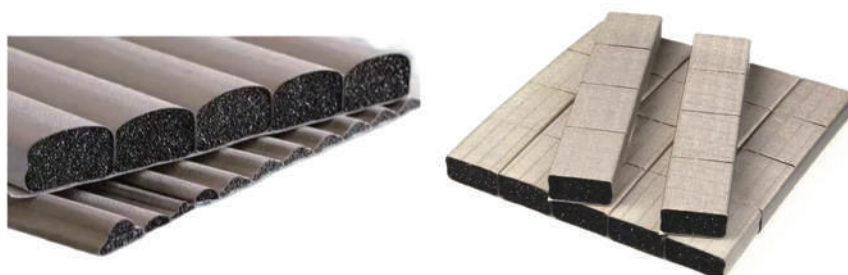
导电布衬垫是一种起导电屏蔽作用的衬垫材料。内层芯型一般采用氨基甲酸乙酯或热塑橡胶材料，外层包覆各种被金属化了的织物。通常采用压敏双面胶固定安装产品。

※在使用频率20MHZ-10GHz时，屏蔽效能>80dB(MIL-G-83528)

※表面电阻率低，$0.052/\square$，使得织物导电性能优良

※耐磨性好，频繁使用不影响实际屏蔽功能，工作温度-35°C到75°C

※无卤阻燃，通过UL认证可达UL94-VO、UL94HB或HF-1



Wire to Board Connectors

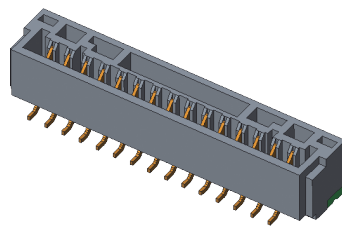
1.25 mm

2.00 mm

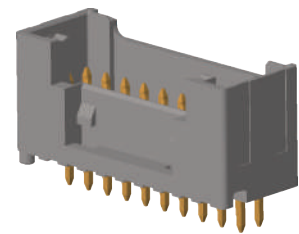
Board Side Connector



Top-Entry

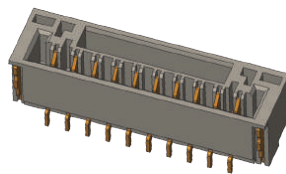


RGPDC101 Series

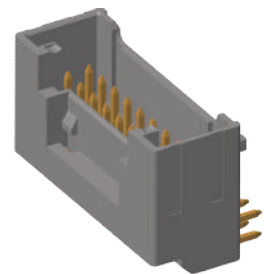


RGWFA214 Series

Side-Entry

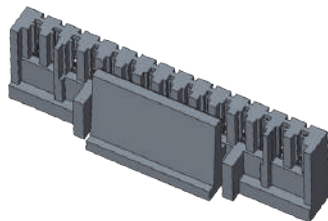


RGPDD101 Series

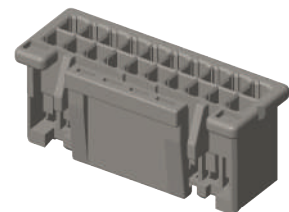


RGWFB215 Series

Housing

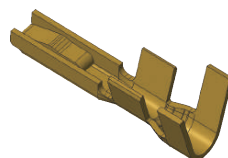


RGH361 Series

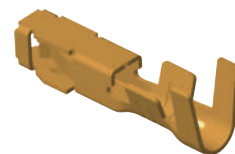


RGWF192 Series

Contact



RGRD601 Series

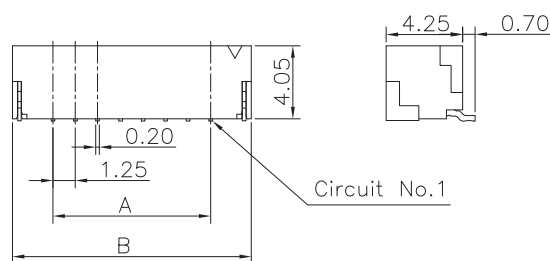
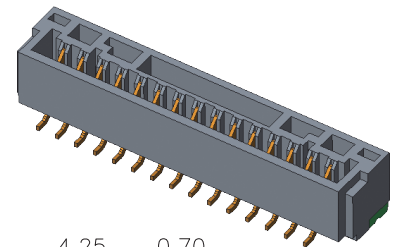


RGRF159 Series

1.25 mm

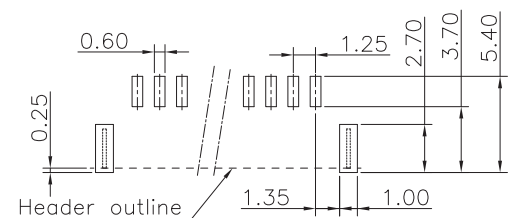
Board Side Connector

Top-Entry Crimp / SMT
RGPDC101 Series



No. of circuits	Dimensions (mm)	
	A	B
2	1.25	5.75
3	2.50	7.00
4	3.75	8.25
5	5.00	9.50
6	6.25	10.75
7	7.50	12.00
8	8.75	13.25
9	10.00	14.50
10	11.25	15.75
11	12.50	17.00
12	13.75	18.25
13	15.00	19.50
14	16.25	20.75
15	17.50	22.00

Recommended P.C.Board Layout
(Tolerance: ±0.05)



Specifications

Current Rating: 1.0A AC/DC (26AWG)
Voltage Rating: 50V AC/DC
Temp. Range: -25°C to +85°C
Contact Resistance:
Initial: Max. 30mΩ
After: 50mΩ
Insulation Resistance: Min. 100MΩ
Withstanding Voltage: 500 VAC/min.
Applicable Wire:
30 AWG - 26 AWG O.D. 0.76mm-1.0mm

Materials

Housing: PA9T UL94V-0 Natural
Terminal: Phosphor Bronze
Plating with Copper-undercoated Reflow Sn

Ordering Information

RGPDC101 - XX XX A 001 J X A X

Color
U=Natural(Ivory)

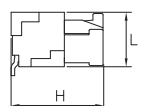
Standard Packing
F=Reel+CAP
H=Reel+Acetate tap

Standard Plating
29=Ni 50-100u"
Tin120-200u"

No. of Pins per Row
2-15

Mates with

Side-entry Type Header	Housing	H (mm)	L (mm)
RGPDC101-XXXXA001JUAX	RGHD361-XXAAJ-N	7.3	4.25

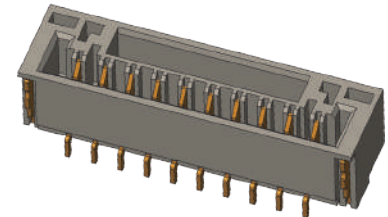


1.25 mm

Board Side Connector

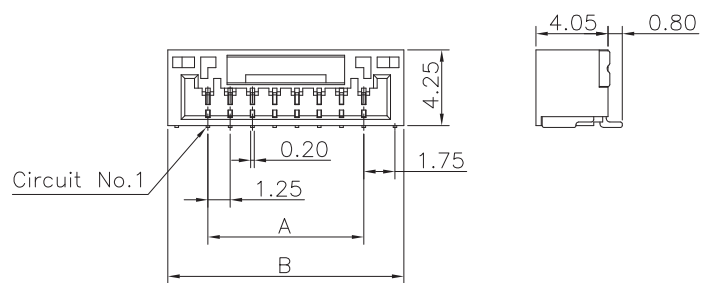
Side-Entry

RGPDD101 Series



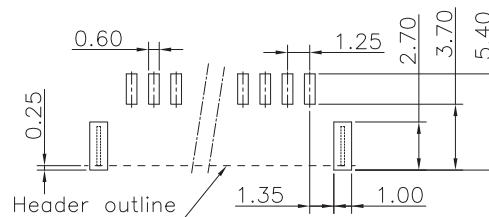
Specifications

Current Rating: 1.0A AC/DC (26AWG)
 Voltage Rating: 50V AC/DC
 Temp. Range: -25°C to +85°C
 Contact Resistance:
 Initial: Max. 30mΩ
 After: 50mΩ
 Insulation Resistance: Min. 100MΩ
 Withstanding Voltage: 500 VAC/min.
 Applicable Wire:
 30 AWG - 26 AWG O.D. 0.76mm-1.0mm



No. of circuits	Dimensions (mm)	
	A	B
2	1.25	5.75
3	2.50	7.00
4	3.75	8.25
5	5.00	9.50
6	6.25	10.75
7	7.50	12.00
8	8.75	13.25
9	10.00	14.50
10	11.25	15.75
11	12.50	17.00
12	13.75	18.25
13	15.00	19.50
14	16.25	20.75
15	17.50	22.00

Recommended P.C.Board Layout
(Tolerance: ±0.05)



Materials

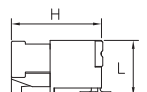
Housing: PA9T UL94V-0 Natural
 Terminal: Phosphor Bronze
 Plating with Copper-undercoated Reflow Sn

Ordering Information

RGPDD101 - XX XX A 001 J X A X
 Color
 U=Natural(Ivory)
 Standard Packing
 F=Reel+CAP
 H=Reel+Acetate tap
 Standard Plating
 29=Ni 50-100u"
 Tin120-200u"
 No. of Pins per Row
 2-15

Mates with

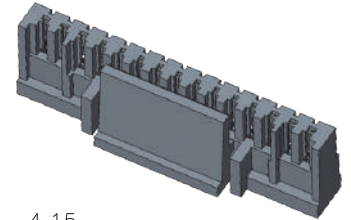
Side-entry Type Header	Housing	H (mm)	L (mm)
RGPDD101-XXXXA001JUAX	RGHD361-XXAAJ-N	7.15	4.35



1.25 mm

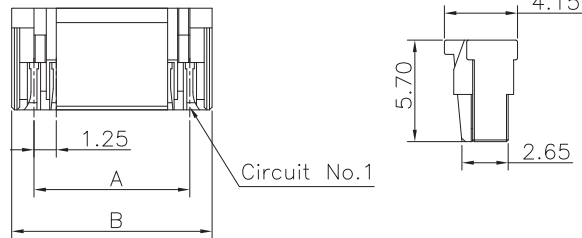
Housing

RGHD361 Series



Specifications

Current Rating: 1.0A AC/DC (26AWG)
 Voltage Rating: 50V AC/DC
 Temp. Range: -25°C to +85°C
 Contact Resistance:
 Initial: Max. 30mΩ
 After: 50mΩ
 Insulation Resistance: Min. 100MΩ
 Withstanding Voltage: 500 VAC/min.
 Applicable Wire:
 30 AWG - 26 AWG O.D. 0.76mm-1.0mm

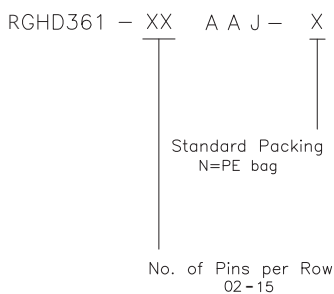


No. of circuits	Dimensions (mm)	
	A	B
2	1.25	3.75
3	2.50	5.00
4	3.75	6.25
5	5.00	7.50
6	6.25	8.75
7	7.50	10.00
8	8.75	11.25
9	10.00	12.50
10	11.25	13.75
11	12.50	15.00
12	13.75	16.25
13	15.00	17.50
14	16.25	18.75
15	17.50	20.00

Materials

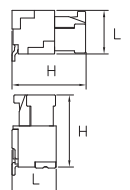
Housing: PBT UL94V-0 Natural

Ordering Information



Mates with

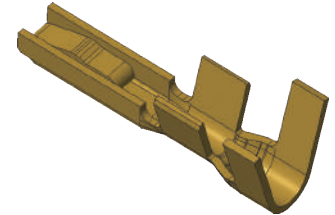
	Header	Housing	H (mm)	L (mm)
Side-entry Type	RGPDD101-XXXXA001JUAX	RGHD361-XXAAJ-N	7.15	4.35
Top-entry Type	RGPDC101-XXXXA001JUAX		7.3	4.25



1.25 mm

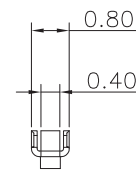
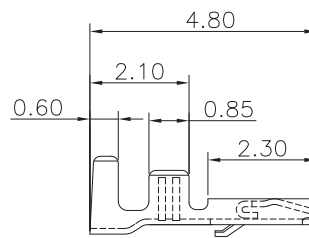
Contact

RGRD601 Series



Specifications

Current Rating: 1.0A AC/DC (26AWG)
 Voltage Rating: 50V AC/DC
 Temp. Range: -25°C to +85°C
 Contact Resistance:
 Initial: Max. 30mΩ
 After: 50mΩ
 Insulation Resistance: Min. 100MΩ
 Withstanding Voltage: 500 VAC/min.
 Applicable Wire:
 30 AWG - 26 AWG O.D. 0.76mm-1.0mm



Materials

Terminal: Phosphor Bronze
 Nickel underplated all over 50 - 100μ"
 Bright Tin plated all over 80 - 160μ"

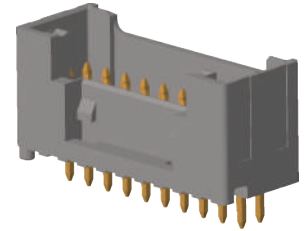
CequalSC P/N	Cable SPEC.		Diameter of the cable including insulation(mm)
	mm ²	AWG	
RGRD601-0129AB-R	0.05 - 0.13	30 - 26	0.76 - 1.0

2.00 mm

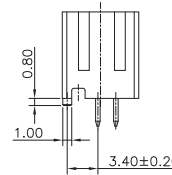
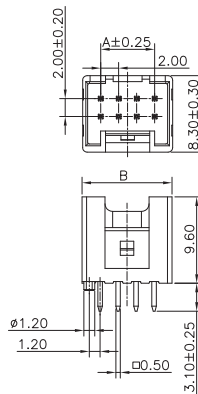
Board Side Connector

Top insert

RGWFA214 Series



8, 10 circuits



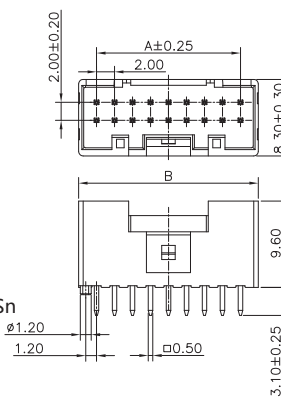
No. of circuits	Dimension Information	
	A	B
8	6.00	10.00
10	8.00	12.00
12	10.00	14.00
14	12.00	16.00
16	14.00	18.00
18	16.00	20.00
20	18.00	22.00
22	20.00	24.00
24	22.00	26.00
26	24.00	28.00
28	26.00	30.00
30	28.00	32.00
32	30.00	34.00
34	32.00	36.00
36	34.00	38.00
38	36.00	40.00
40	38.00	42.00

Specifications

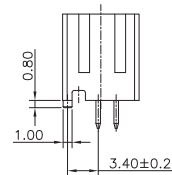
Current Rating: 3.0A AC/DC (22AWG)
 Volatage Rating: 250V AC/DC
 Temp. Range: -20°C to +100°C
 Contact Resistance:
 Initial: Max. 10mΩ
 After: 20mΩ
 Insulation Resistance: Min. 100MΩ
 Withstanding Voltage: 800 VAC/min.

Materials

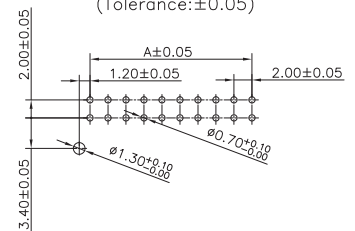
Housing: PA66 UL94V-0 Natural
 Terminal: Brass
 Plating with Copper-undercoated Reflow Sn



12 to 18 circuits



Recommended P.C.Board Layout
 (Tolerance:±0.05)



Ordering Information

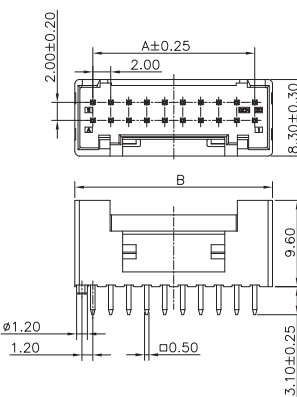
RGWFA214 – XX XX B 001W 4 B X

Color
4=Natuer

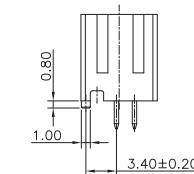
Standard Packing
C=Tube

Standard Plating
01=Tin

No. of Pins per Row
04-20

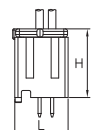


20 to 40 circuits



Mates with

Top-entry Type Header	Housing	H (mm)	L (mm)
RGWFA214-XXXXB001W4BX	RGWF192-XXAAJ-N	11	8.3

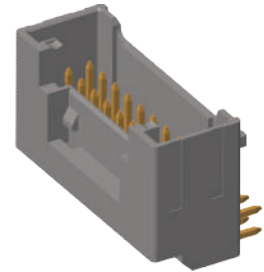


2.00 mm

Board Side Connector

Side insert

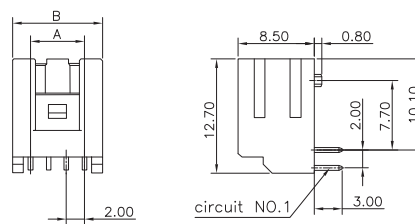
RGWFB215 Series



Specifications

Current Rating: 3.0A AC/DC (22AWG)
 Volatage Rating: 250V AC/DC
 Temp. Range: -20°C to +100°C
 Contact Resistance:
 Initial: Max. 10mΩ
 After: 20mΩ
 Insulation Resistance: Min. 100MΩ
 Withstanding Voltage: 800 VAC/min.

8, 10 circuits

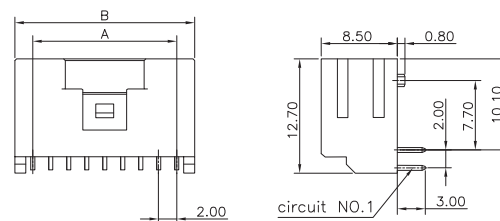


No. of circuits	Dimension Information	
	A	B
8	6.00	10.00
10	8.00	12.00
12	10.00	14.00
14	12.00	16.00
16	14.00	18.00
18	16.00	20.00
20	18.00	22.00
22	20.00	24.00
24	22.00	26.00
26	24.00	28.00
28	26.00	30.00
30	28.00	32.00
32	30.00	34.00
34	32.00	36.00
36	34.00	38.00
38	36.00	40.00
40	38.00	42.00

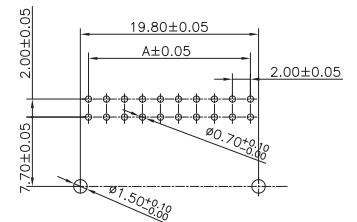
Materials

Housing: PA66 UL94V-0 Natural
 Terminal: Brass
 Plating with Copper-undercoated Reflow Sn

12 to 18 circuits



Recommended P.C.Board Layout
 (Tolerance: ±0.05)

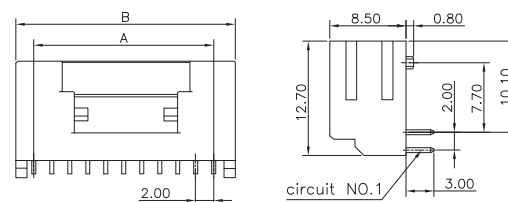


Ordering Information

RGWFB215 - XX XX B 001 W 4 B X

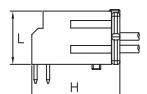
XX: No. of Pins per Row (04-20)
 XX: Standard Plating (01=Tin)
 B: Standard Packing (C=Tube)
 001: Color (4=Natuer)
 W: Color (4=Natuer)
 4: Color (4=Natuer)
 B: Color (4=Natuer)
 X: Color (4=Natuer)

20 to 40 circuits



Mates with

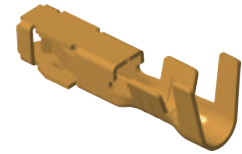
Top-entry Type Header	Housing	H (mm)	L (mm)
RGWFB215-XXXXB001W4BX	RGWF192-XXAAJ-N	11	8.3



2.00 mm

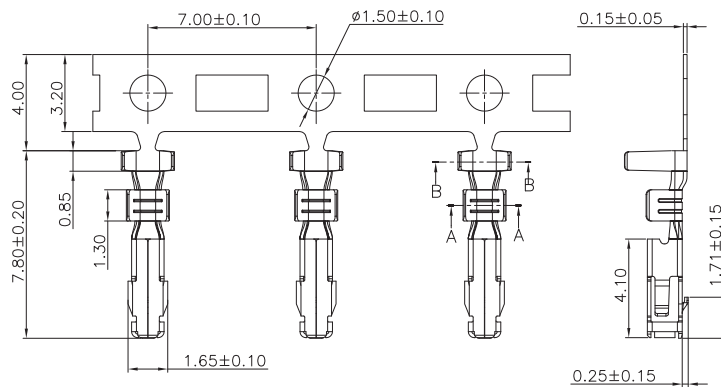
Contact

RGRF159 Series



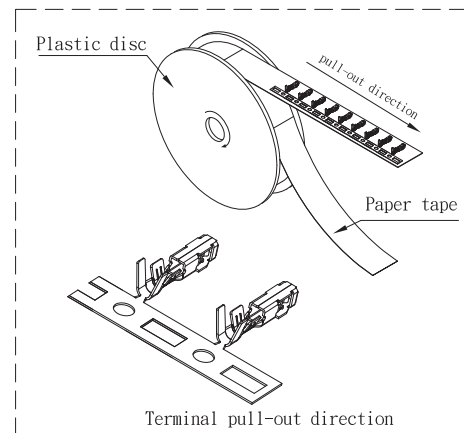
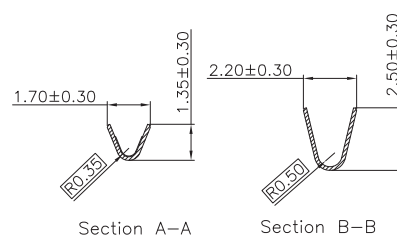
Specifications

Current Rating: 3.0A AC/DC (22AWG)
 Voltage Rating: 250V AC/DC
 Temp. Range: -20°C to +100°C
 Contact Resistance:
 Initial: Max. 10mΩ
 After: 20mΩ
 Insulation Resistance: Min. 100MΩ
 Withstanding Voltage: 800 VAC/min.



Materials

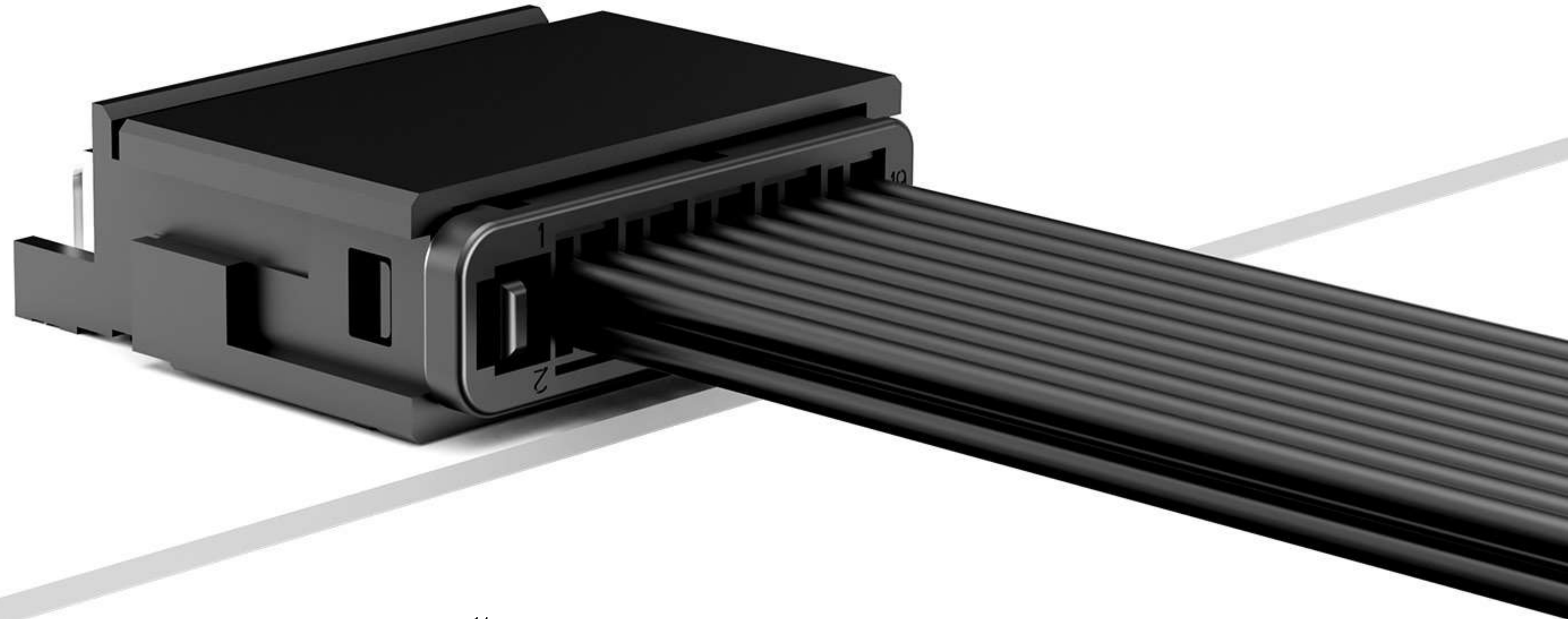
Terminal: Phosphor Bronze
 Nickel underplated all over 50 - 100μ"
 Bright Tin plated all over 80 - 160μ"

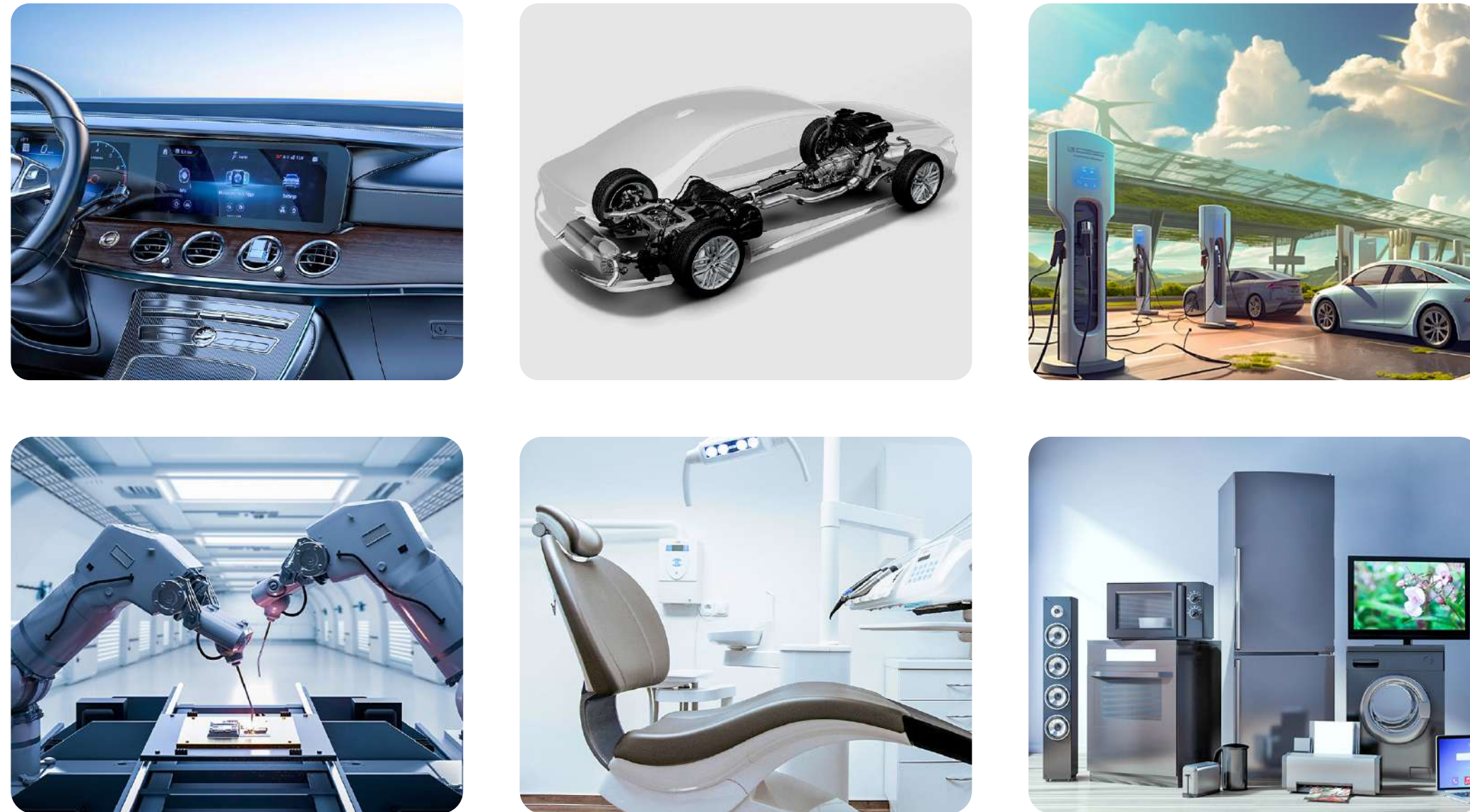


CequalcC P/N	Cable SPEC.		Diameter of the cable including insulation(mm)
	mm ²	AWG	
RGRF159-0101AB-R	0.13 - 0.33	26 - 22	0.95 - 1.5
RGRF159-0201AB-R	0.08 - 0.22	28 - 24	0.76 - 1.5

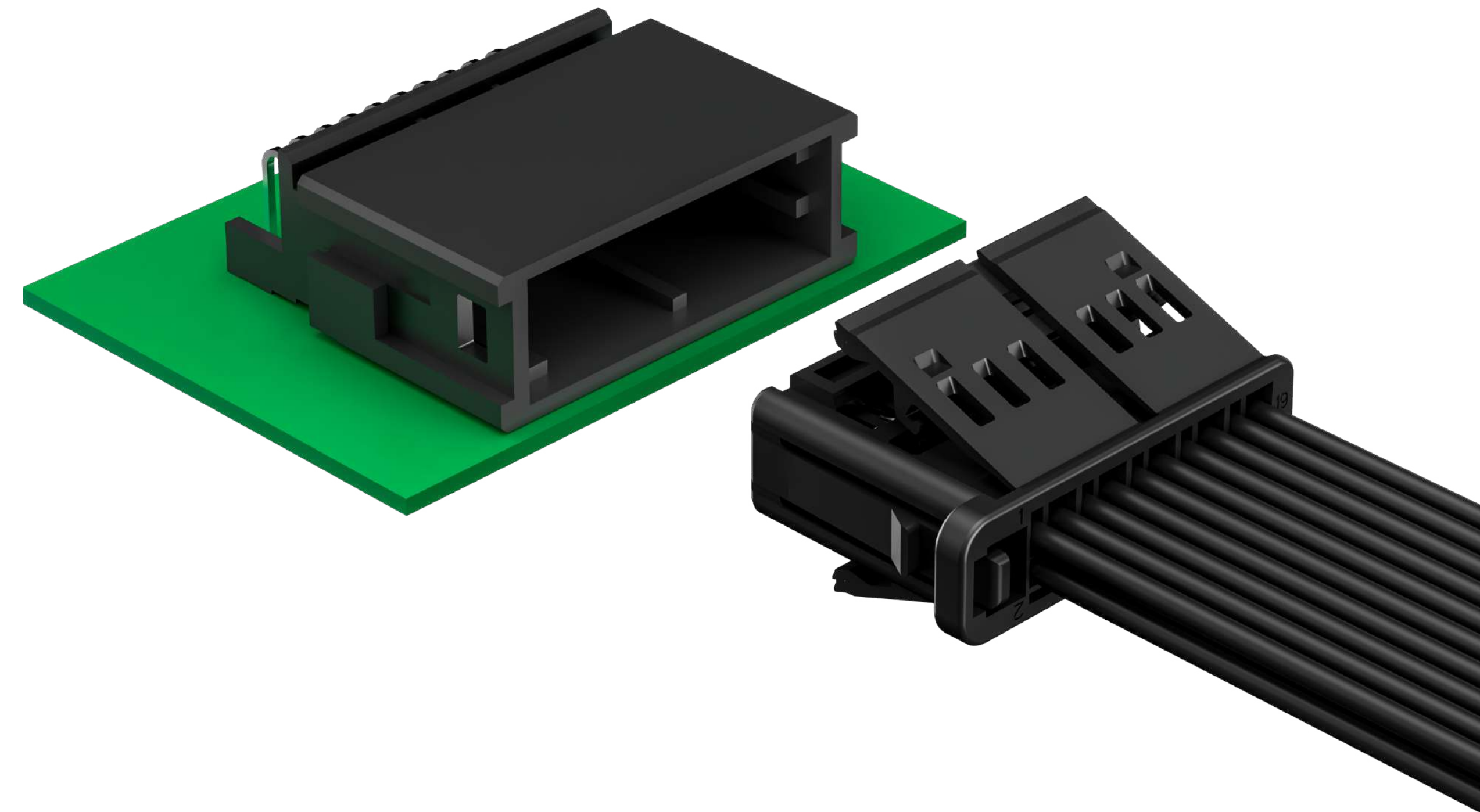
Wire-to-Board Wafer Connector

CPCO-20 Series 1.80mm Pitch





LV214 Compliant



Applications: Automotive (In-Vehicle Entertainment Systems, Powertrain Systems, Safety Systems, Chassis Systems, and E-Bike Applications, etc.), Industrial, Medical, Smart Home, and Renewable Energy.

The CPCO-20 series connectors, designed with premium materials and ultra-durable housing, boast advanced anti-misalignment mechanisms and robust latch structures, guaranteeing reliable connections. An audible "click" during mating confirms successful assembly, thereby bolstering user confidence. These connectors exhibit exceptional stability, combining a compact design with a high current-carrying capacity.

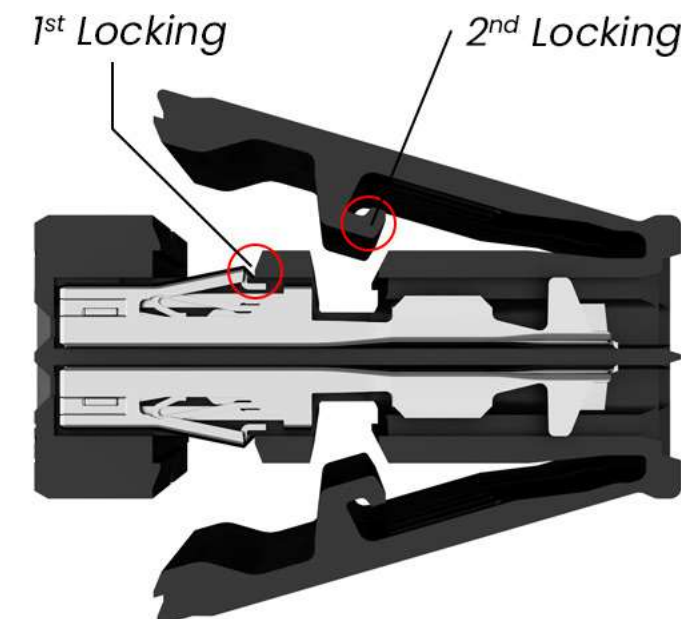
Latch Mechanism, Terminal Position Assurance (TPA)

Latch Mechanism: Designed to maintain a secure connection after insertion, mitigating the risk of accidental disconnection due to external forces or vibrations.

Terminal Position Assurance (TPA): Designed to provide enhanced terminal alignment, strengthen the retention force between the terminal and housing, and increase connector stability.



Latch Mechanism

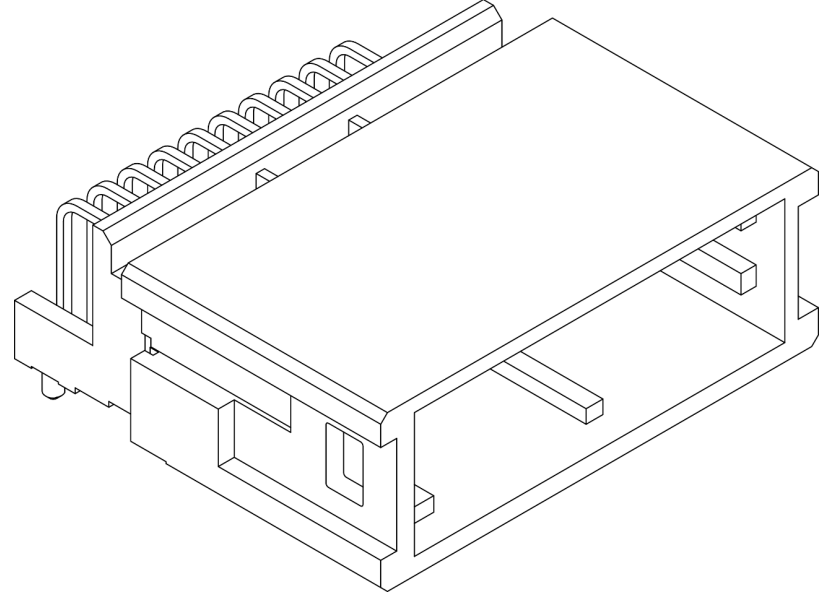
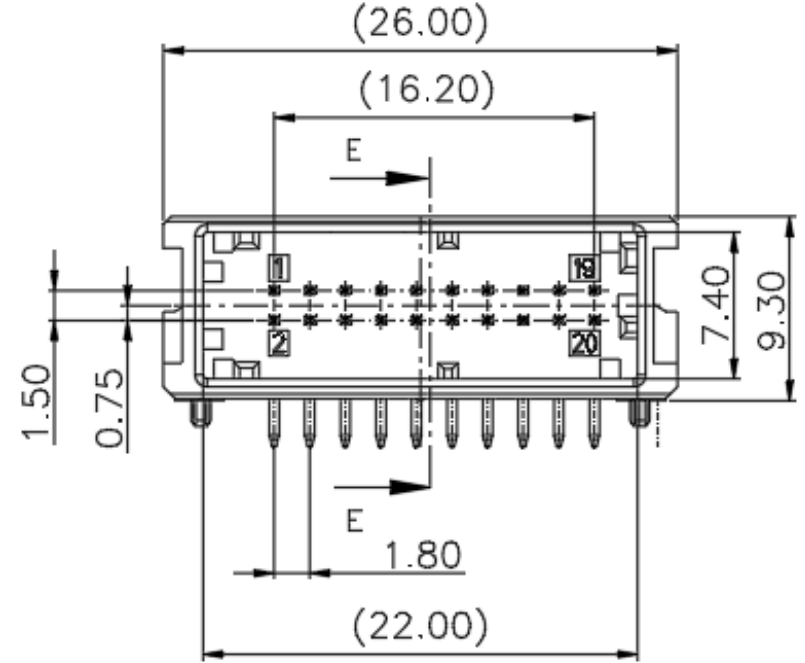
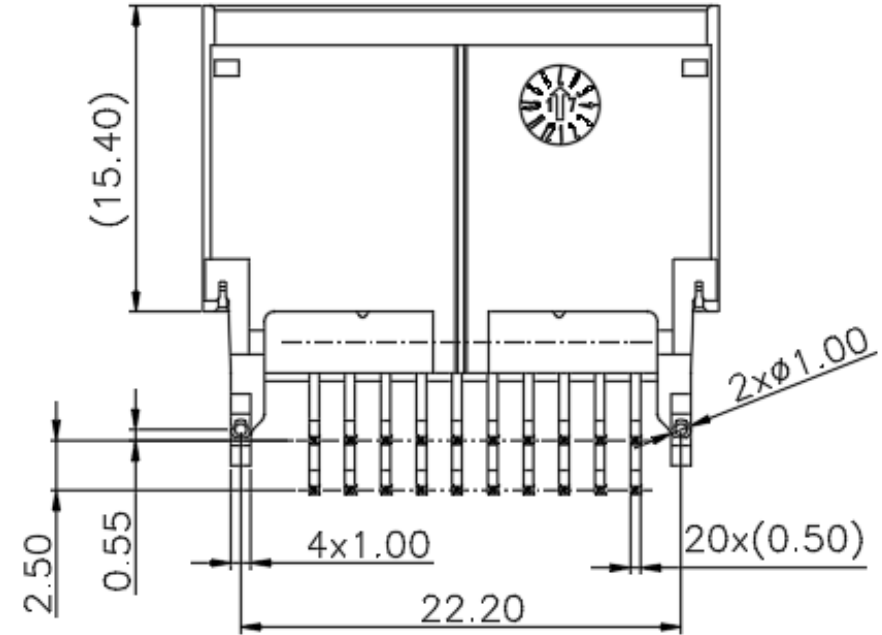
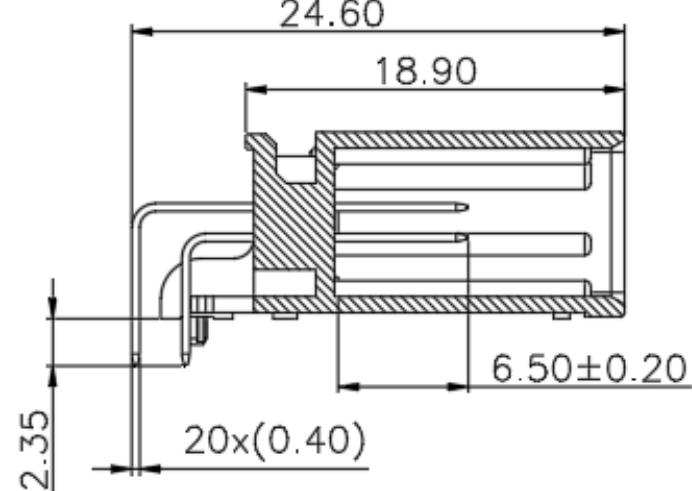
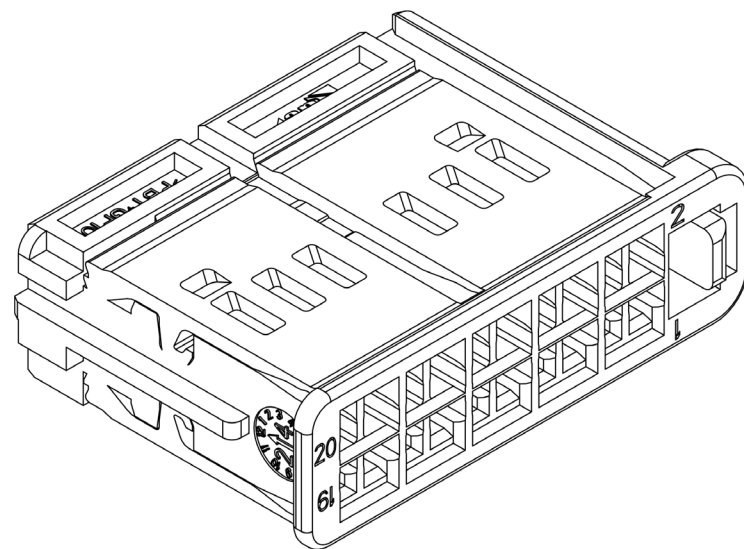
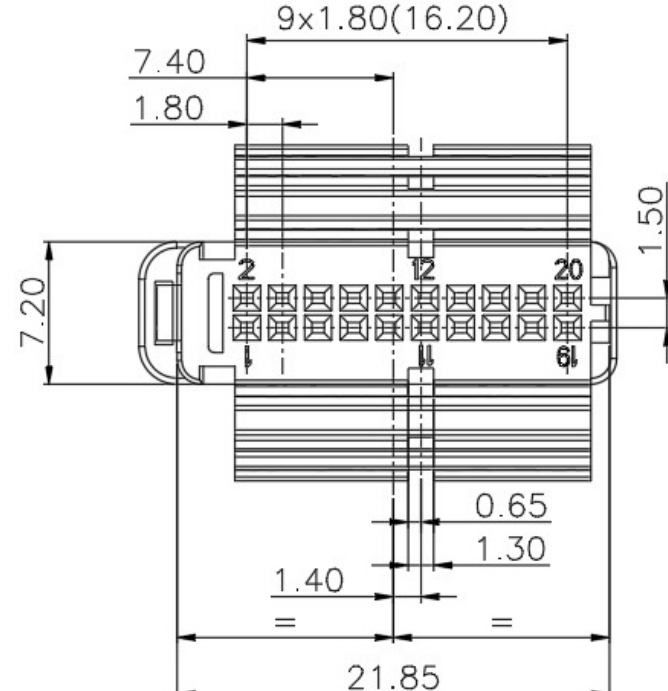
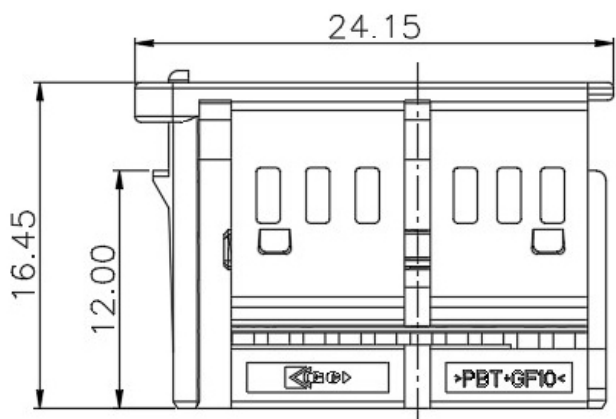
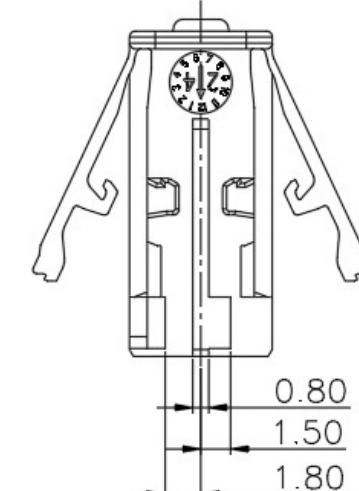
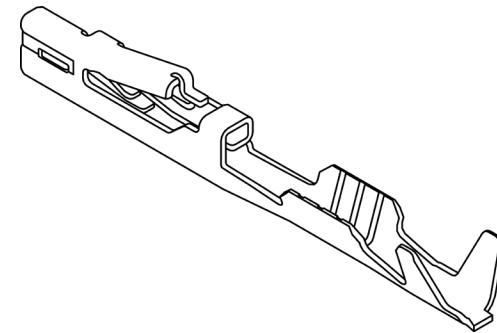
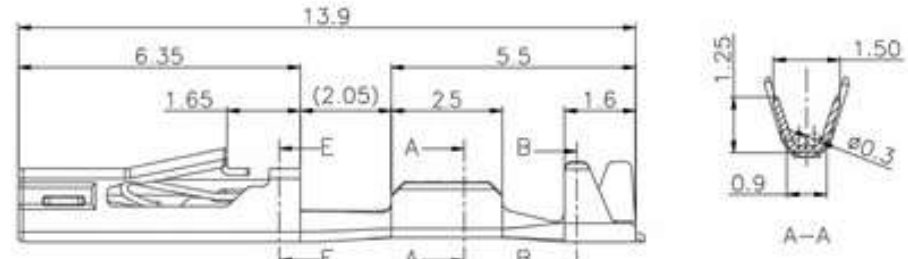
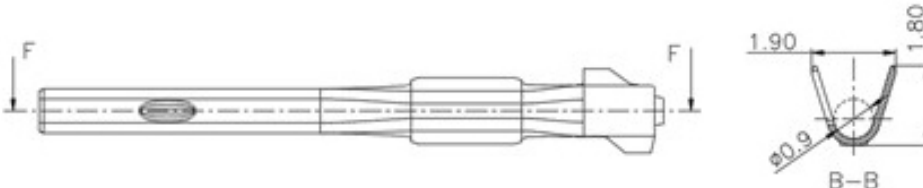
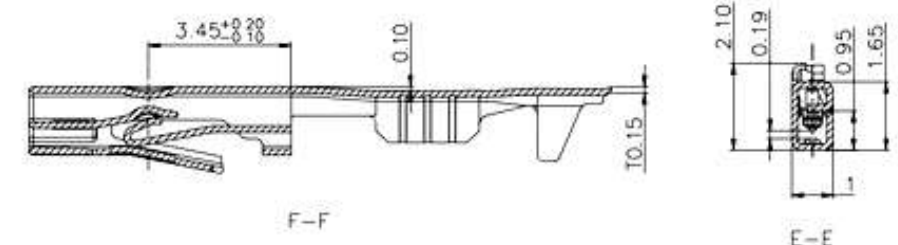


Terminal Position Assurance

Product parameters

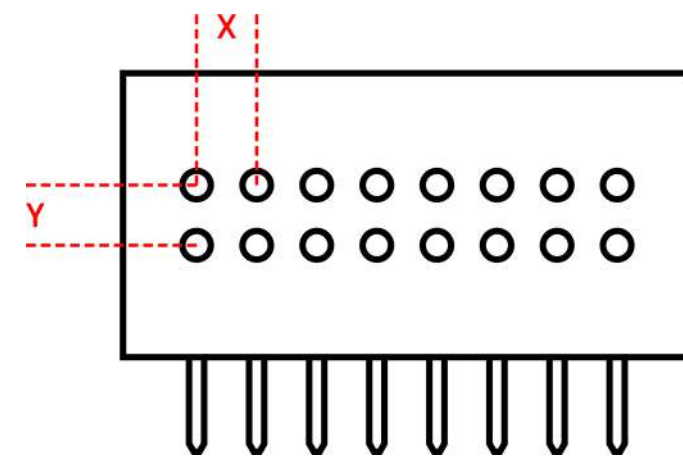
Board Side			Wire Side (Mating Part)		
Type	Pin No.	Part Number	Housing PN	Terminal PN	Wire Specs
Horizontal	20	CPCO-20-VX0X-TX	RLKZV210	RARZID2	0.13-0.17mm ² (AWG26) 0.22-0.35mm ² (AWG22-AWG20)

Material Specifications	
Insulation Material (Board End)	LCP, Black / Natural Color
Insulation Material (Wire End)	PBT, Black / Natural Color
Contact Material	Copper Alloy (Tin Plated)
Electrical Characteristics	
Rated Current	2A/Pin (AWG26) 2.5A/Pin (AWG24) 3A/Pin (AWG22)
Insulation Resistance	≥100MΩ
Contact Resistance	≤30mΩ
Withstand Voltage	500V AC for 1 minute
Mechanical Characteristics	
Mechanical Vibration	5Hz-2000Hz-5Hz; 10m/s ²
Mechanical Shock	Acceleration of 30g, single shock duration 6ms, 50 times per axis
Retention Force	≥15N/Pin
Durability	Tin-20 times; Gold-100 times
Latch Release Force	≥100N
Environmental Characteristics	
Operating Temperature	-40°C to +105°C

<p>Board Side Header</p>				
<p>Wire Side Housing</p>				
<p>Wire Side Terminal</p>				

Wire-to-Board Automotive Connector

CMOD-40 Series



Pitch:

Plug 1 (X=2.54mm, Y=2.54mm)

Plug 2 (X=3.50mm, Y=6.50mm)

Plug 3 (X=5.25mm, Y=7.45mm)





Automobile



Industrial

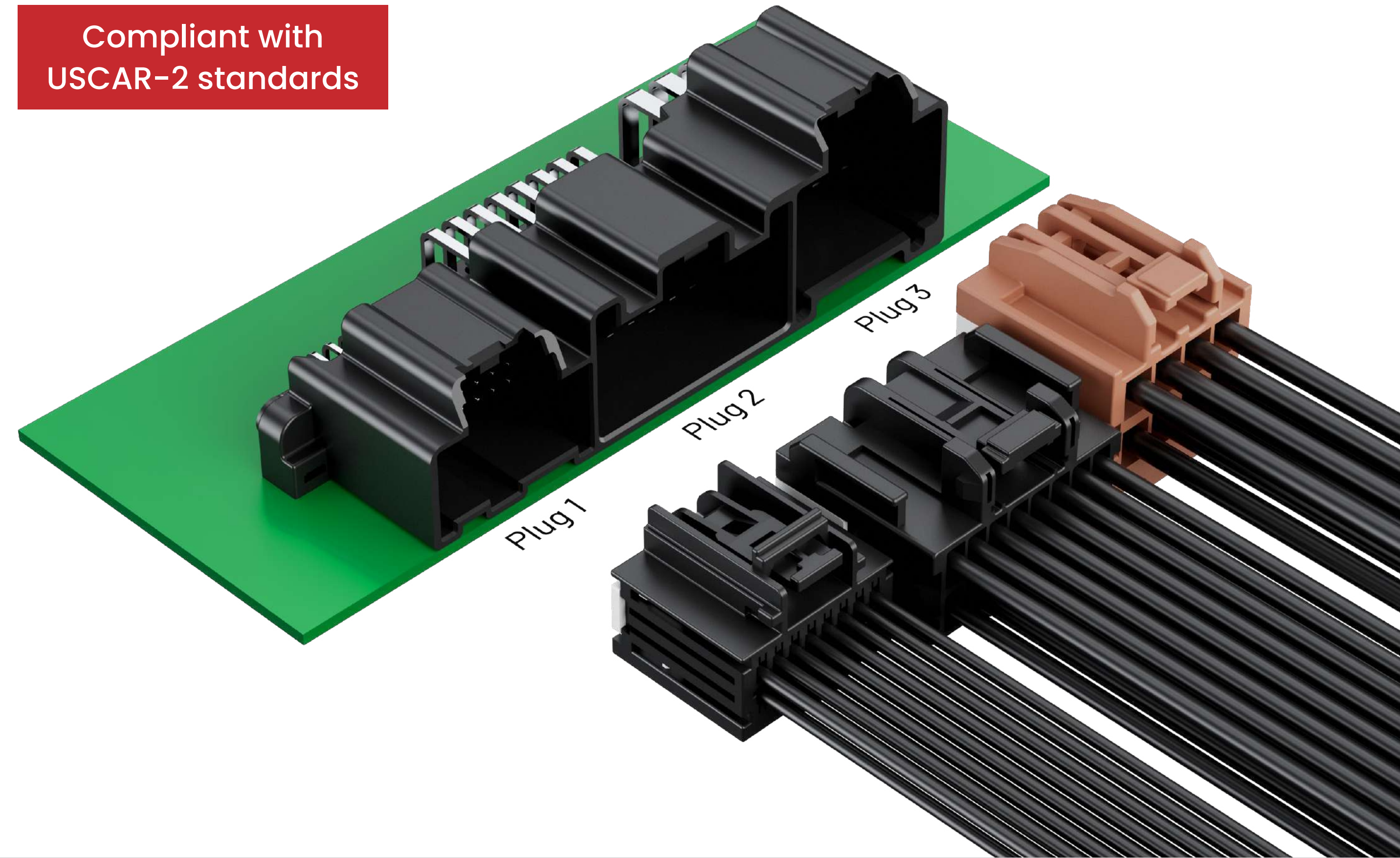


Smart Home



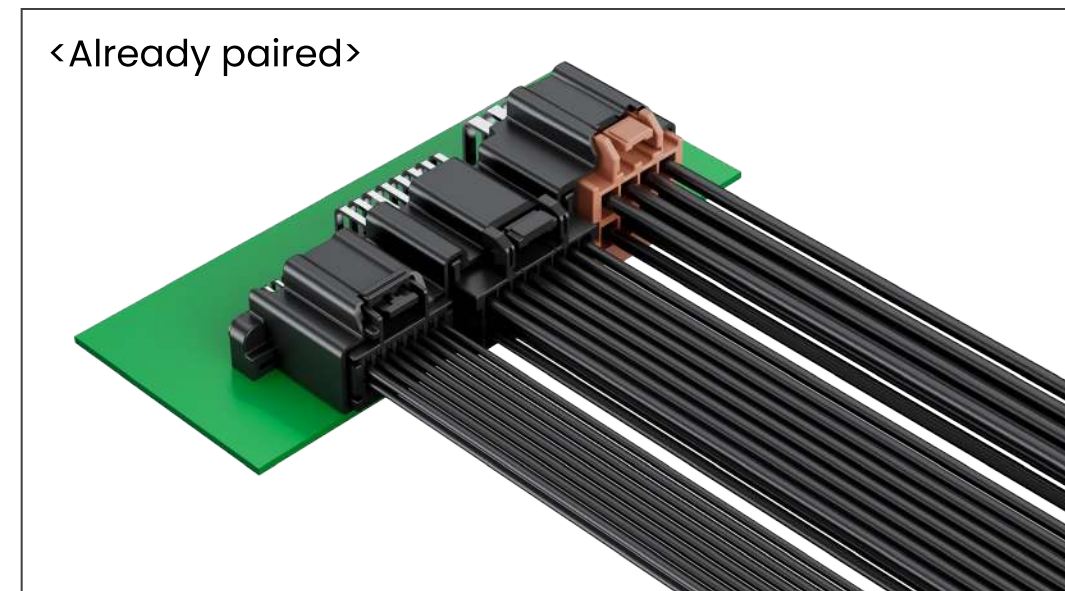
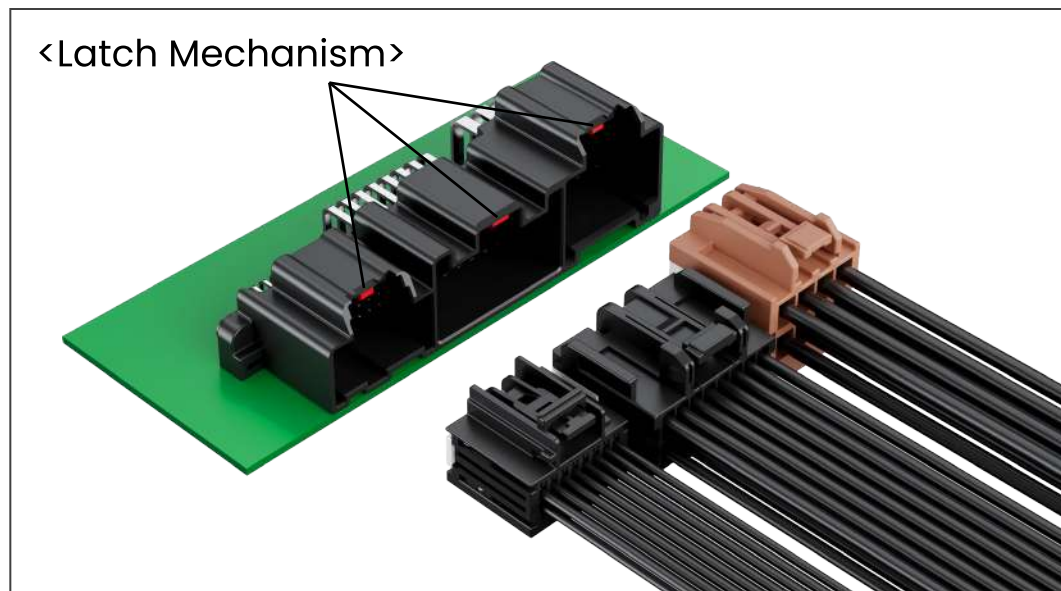
New Energy

Compliant with
USCAR-2 standards



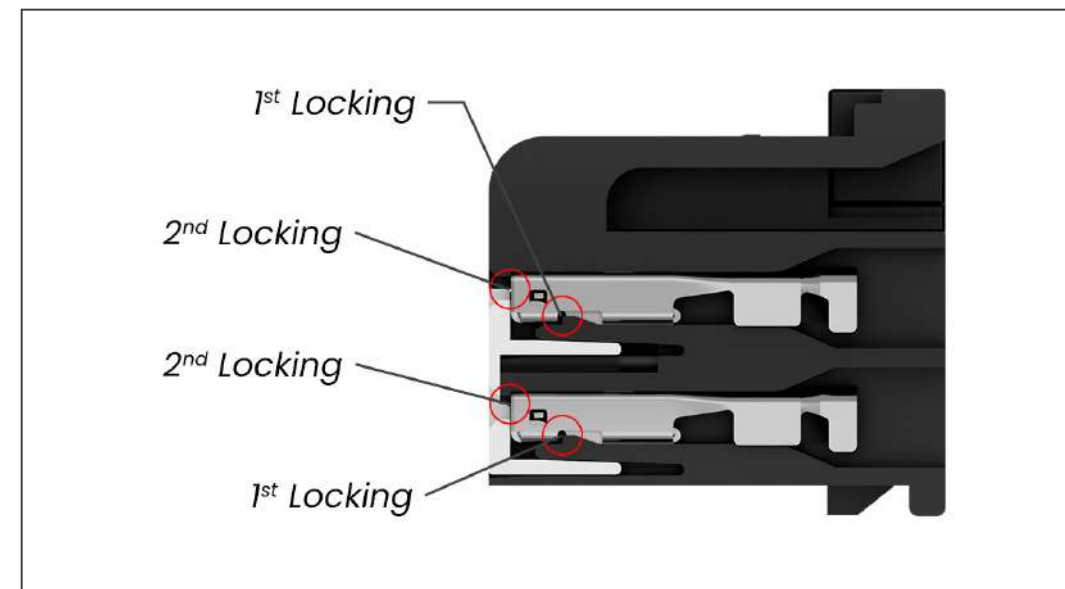
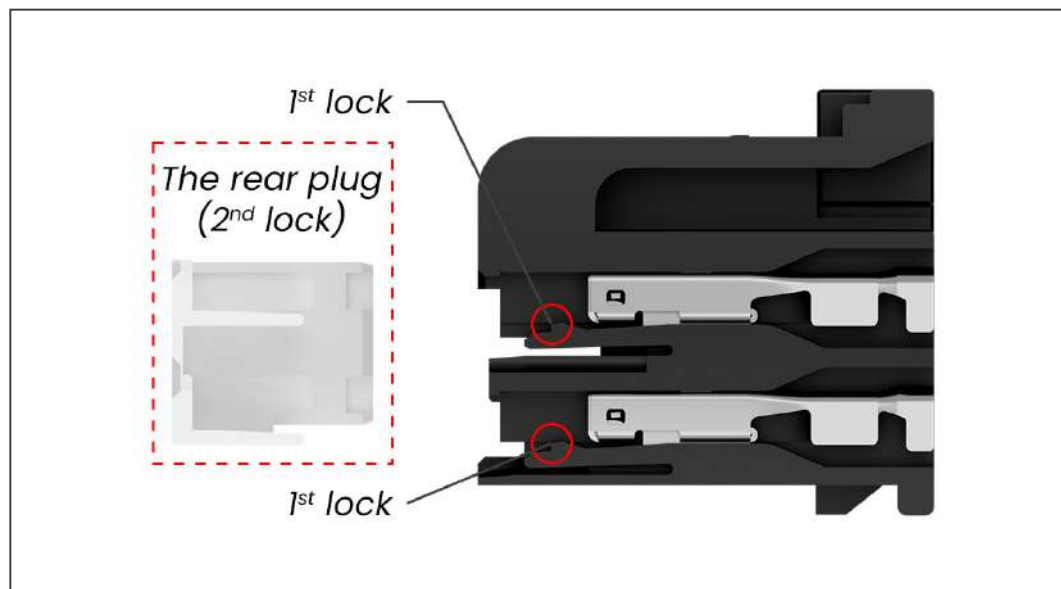
Latch Mechanism

The audible "click" sound when inserting each plug ensures proper assembly of the connector, improving stability and effectively preventing signal disruption due to vibration or impact.



Terminal Position Assurance (TPA)

The design ensures accurate terminal placement, enhancing the retention force between the terminal and the housing, effectively preventing terminal detachment, and improving the overall stability and reliability of the connector.



Product parameters

Board Side			
Type	Pin No.	Part Number	Insulation Material
Horizontal	40	CMOD-40-V001-TY	PA66, Black

Wire Side (Mating Part)

Serial Number	Pin No.	Housing PN	Terminal PN	Wire Specs
Plug 1	16	RMCZHA215	RARH160	0.35-0.5mm ² (AWG22-20)
Plug 2	16	RMCZ3A201	RAR3102	0.8-1.0mm ² (AWG18-16)
Plug 3	8	RMCZZA210	RARZ1F9	0.8-1.0mm ² (AWG18-16)

Material Specifications

Insulation Material	PBT, Black (Plug 1) PBT, Black (Plug 2) PBT, Brown (Plug 3)
Contact Material	Copper Alloy (Tin Plated)

Electrical Characteristics

Rated Current	0.64*0.64 Terminal: 6A (DC) 1.50*0.80 Terminal: 15A (DC) 2.80*0.80 Terminal: 17A (DC)
Rated Voltage	250V AC/DC
Insulation Resistance	≥100MΩ
Contact Resistance	≤20mΩ
Withstand Voltage	1000V/AC

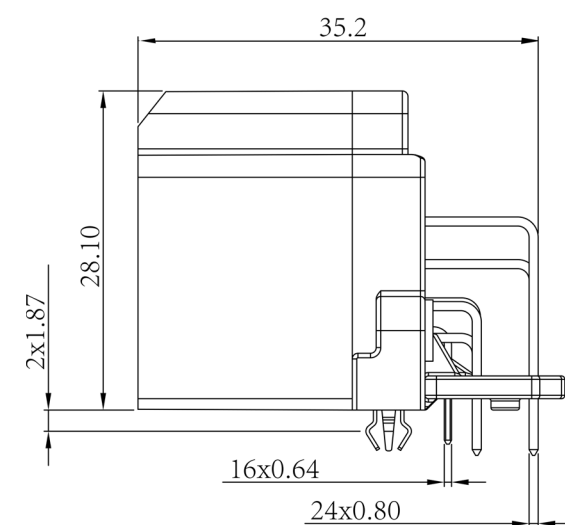
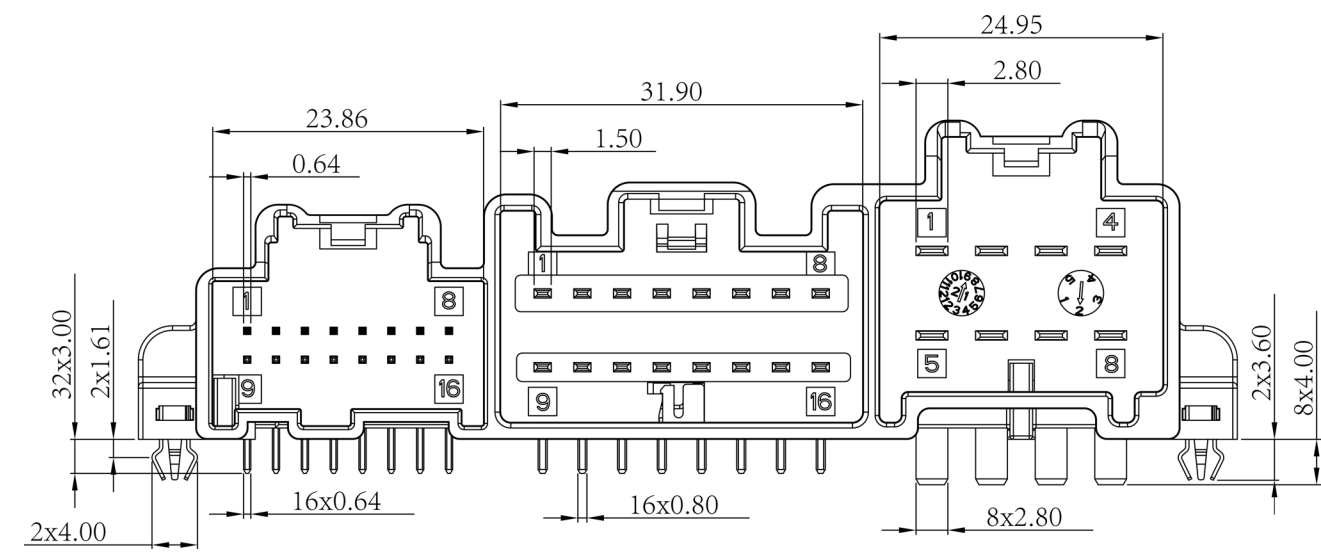
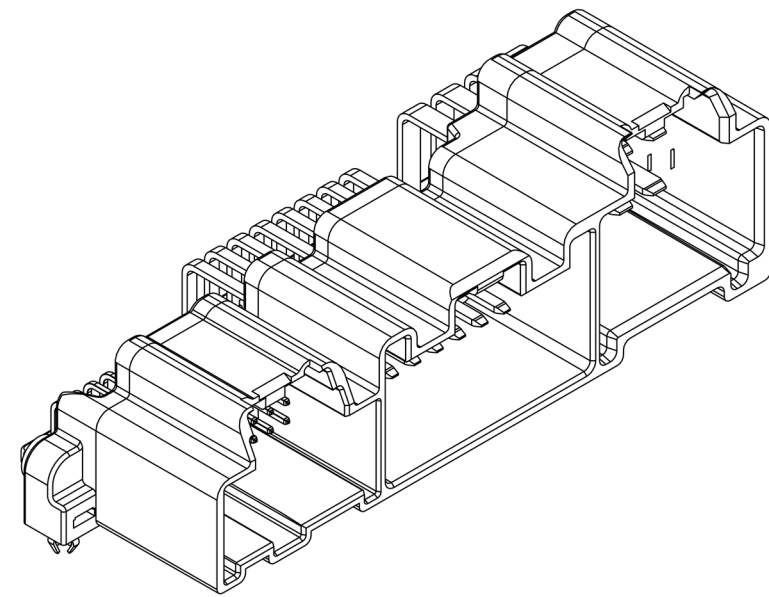
Mechanical Characteristics

Mechanical Shock and Vibration	Compliant with USCAR V1 Standard
--------------------------------	----------------------------------

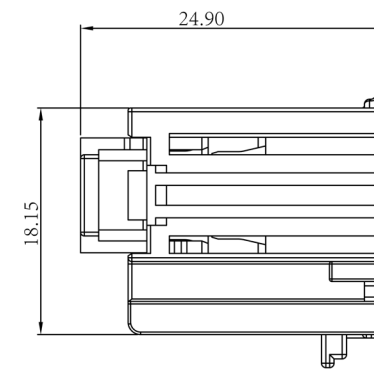
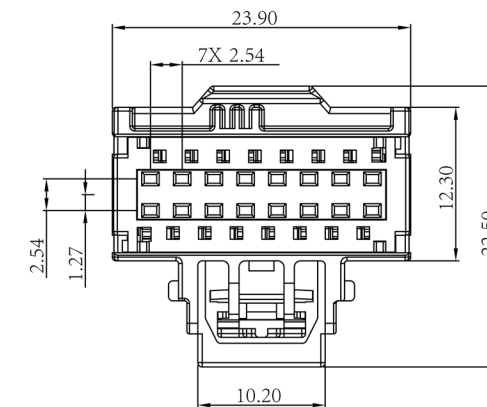
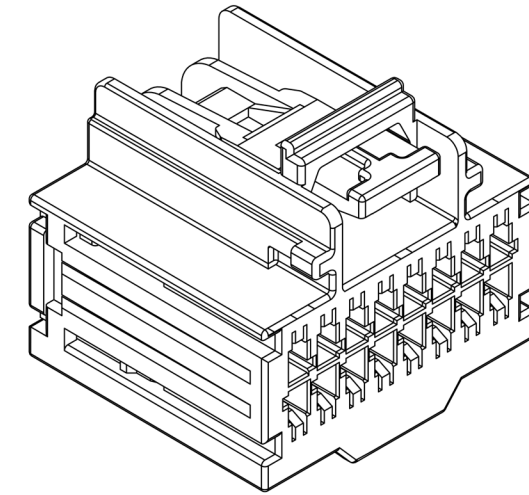
Environmental Characteristics

Operating Temperature	-40°C ~ +105°C
-----------------------	----------------

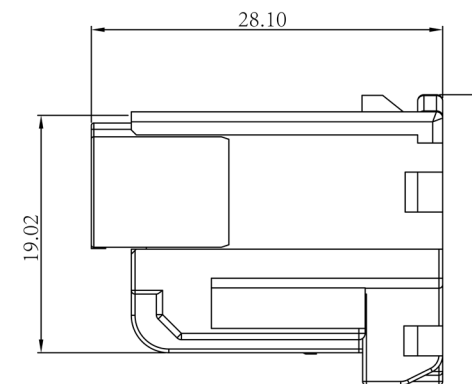
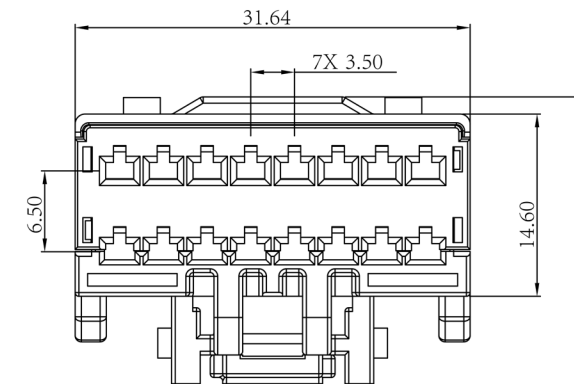
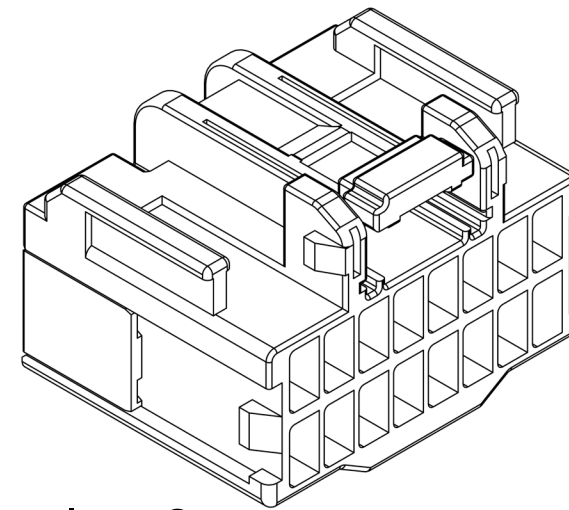
Board Side Header



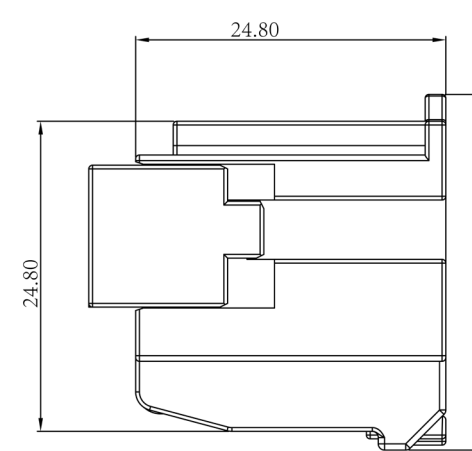
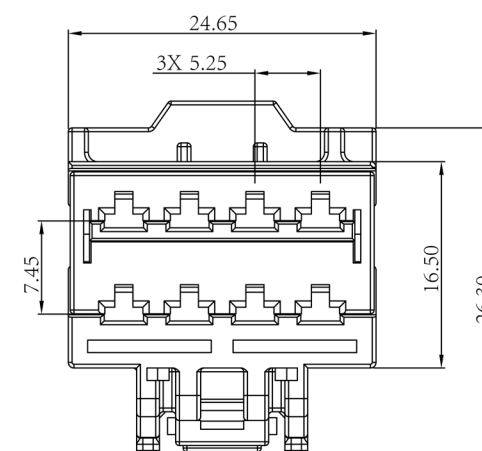
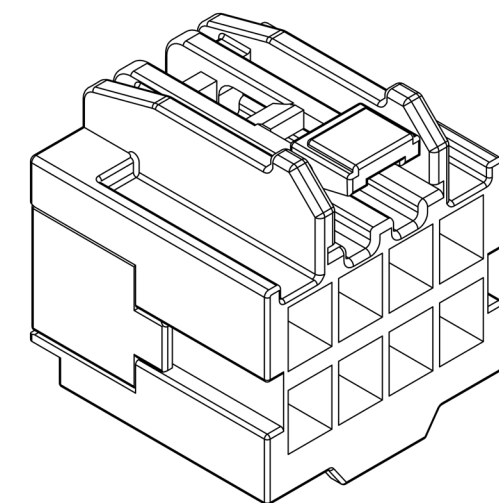
Wire Side Housing



Plug 1

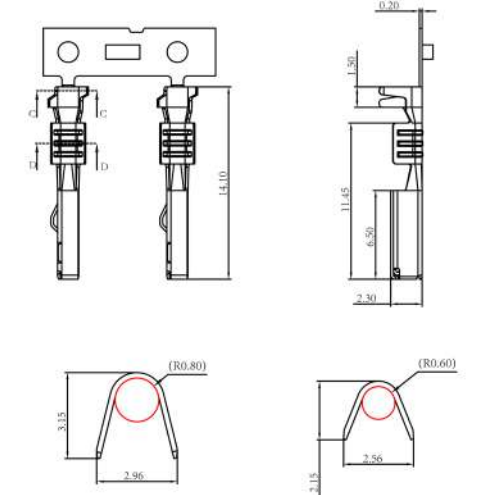
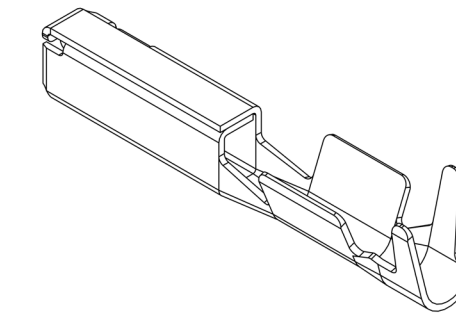


Plug 2

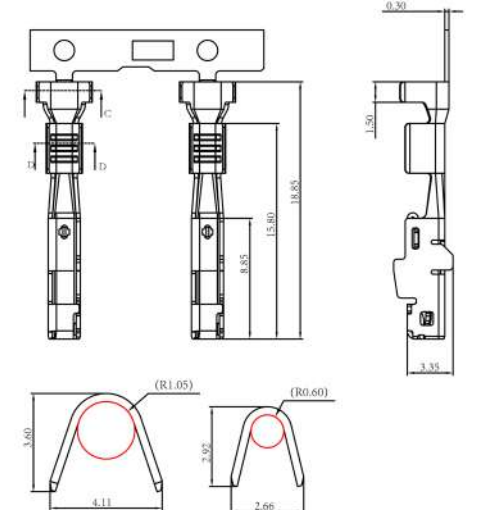
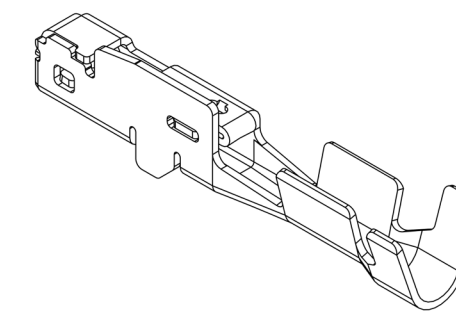


Plug 3

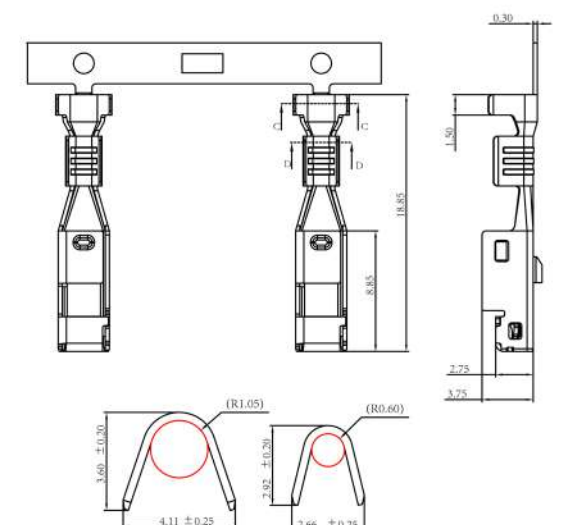
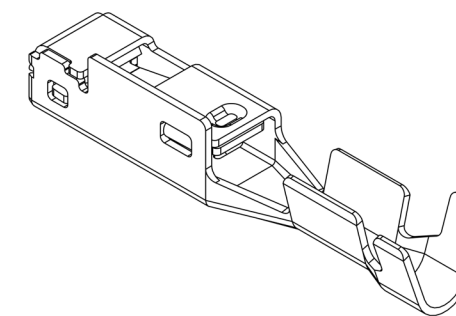
Wire Side Terminal



Plug 1



Plug 2



Plug 3

RGA01 and GT Series

Automotive-grade waterproof connectors

From compact precision to high current capacity,
designed to meet multi-scenario high protection demands

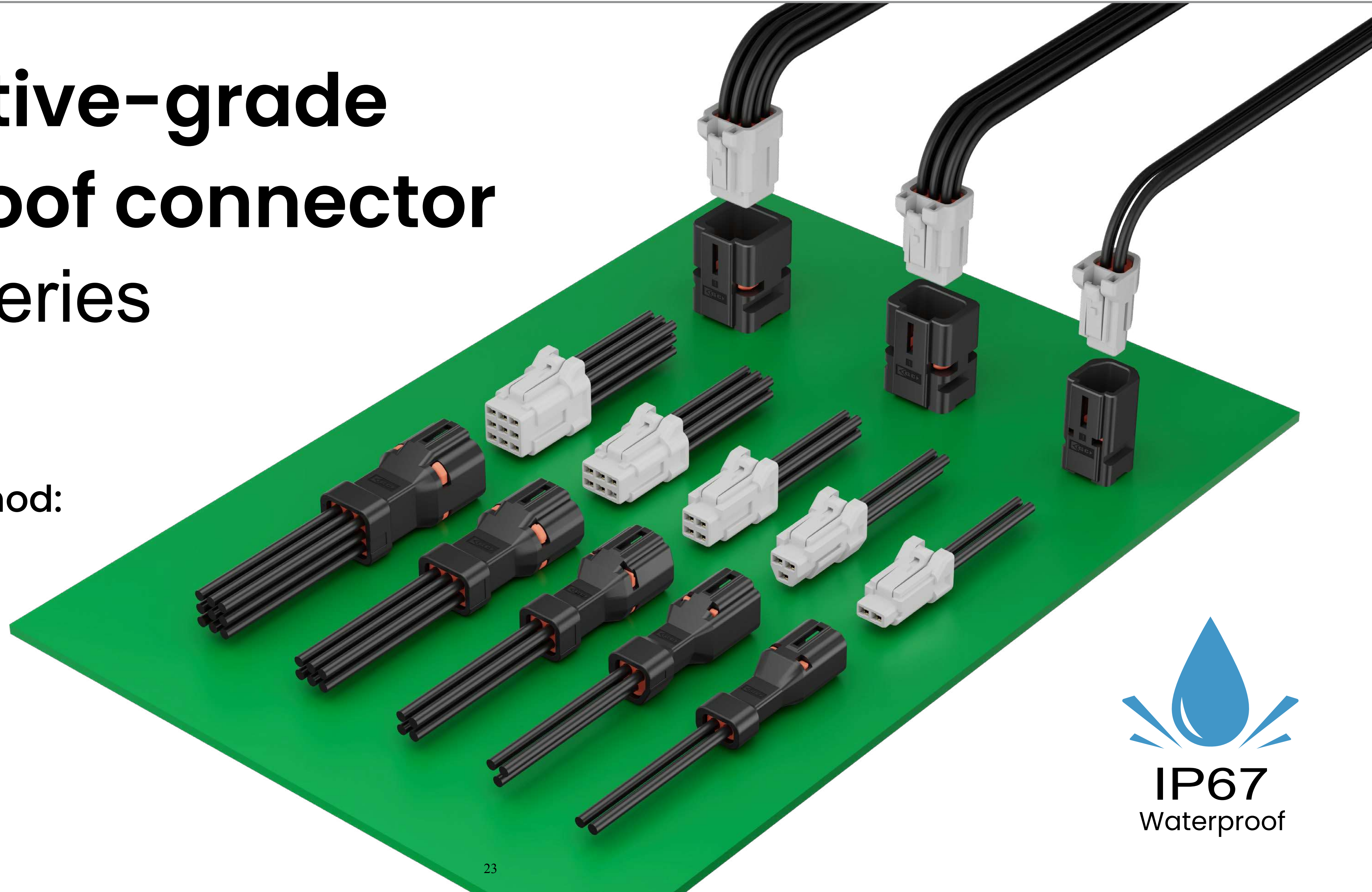
IP67/IP68 · Compact Design · High Reliability



Automotive-grade waterproof connector RGA01 Series

Pitch: 2.2mm

Connection method:
wire-to-wire,
wire-to-board





Construction machinery



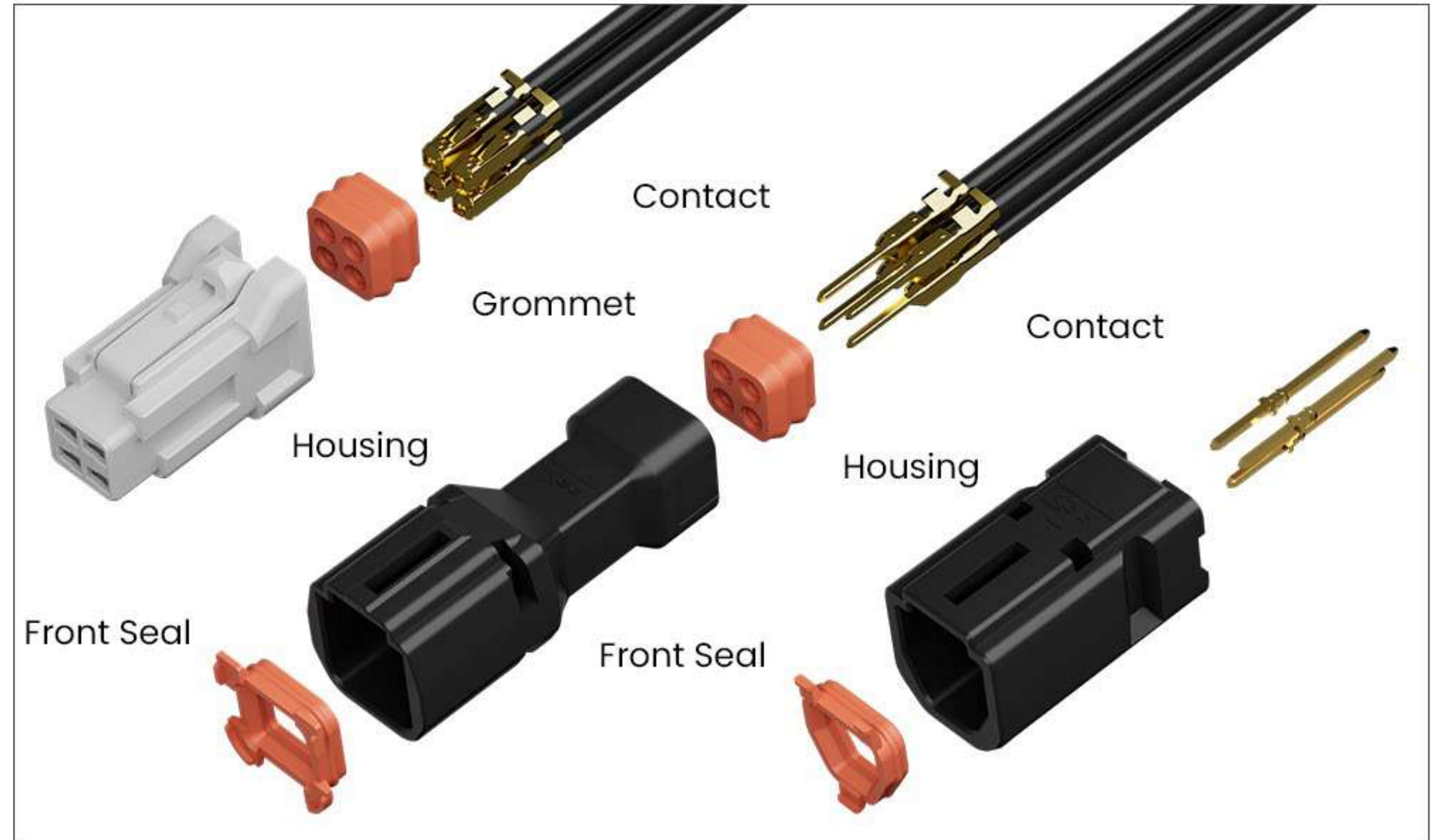
Automobile



Road lighting



Robotics



RGA01 series automotive waterproof connectors offer compact, water-resistant solutions for internal wiring in tight spaces. Featuring a secure locking mechanism and robust contact design, they prevent accidental disconnections and ensure reliable connections.

With an IP67 waterproof rating, these connectors are ideal for harsh environments.

Available in various configurations and compatible with a wide range of cable sizes, they meet diverse application needs.

Male socket				
Type	Pin No.	Part number	Plastic housing number	Terminal number
Wire-side	2	RLZZW102-AXX	RAGZ181-02AAN-N	RARZIE1-01R2AB Wire gauge: AWG26-24 Cross-sectional area: 0.14~0.22mm ² RARZIE1-02R2AB Wire gauge: AWG22-20 Cross-sectional area: 0.34~0.56mm ²
	3	RLZZW603-AXX	RAHW072-03AAZ-N	
	4	RLZZW202-AXX	RAGZ182-02AAN-N	
	6	RLZZW203-AXX	RAHW052-03AAZ-N	
	9	RLZZW303-AXX	RAGZ183-03ANN-N	
Board-side	3	RGZWA202-B001	/	/
	6	RGZWA201-B001	/	/
	9	RGZWA301-B001	/	/

Female socket				
Type	Pin No.	Part number	Plastic housing number	Terminal number
Wire-side	2	RLZZW102-BXX	RAGZ171-02AAT-N	RARZIE2-01R2AB Wire gauge: AWG26-24 Cross-sectional area: 0.14~0.22mm ² RARZIE2-02R2AB Wire gauge: AWG22-20 Cross-sectional area: 0.34~0.56mm ²
	3	RLZZW603-BXX	RAHW082-03AAT-N	
	4	RLZZW202-BXX	RAGZ172-02AAT-N	
	6	RLZZW203-BXX	RAHW062-03AAT-N	
	9	RLZZW303-BXX	RAGZ173-03AAT-N	

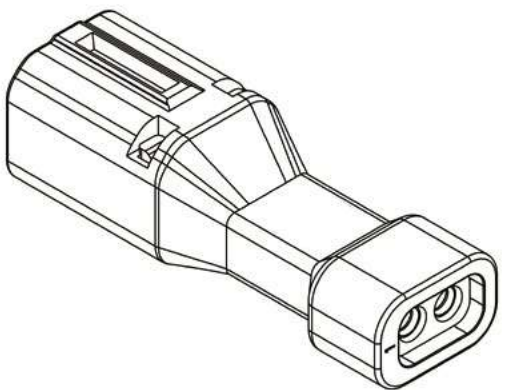
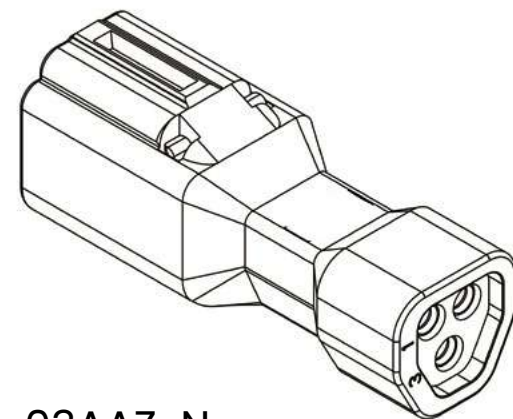
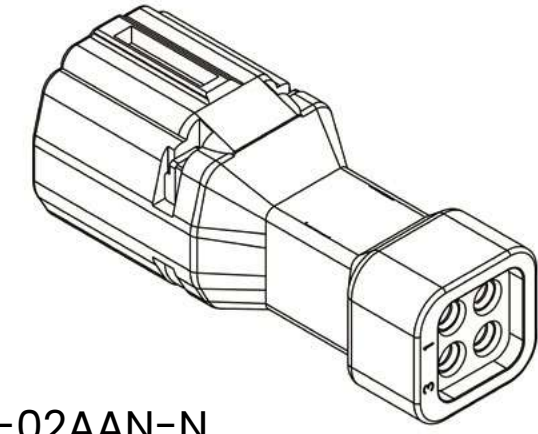
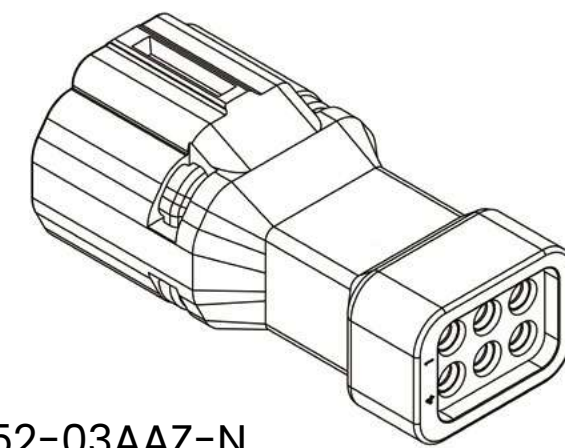
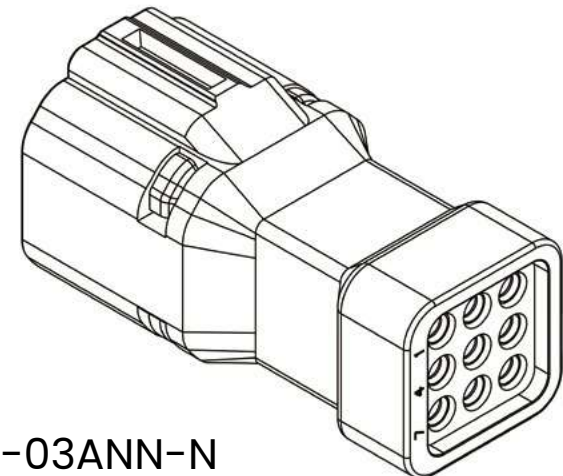
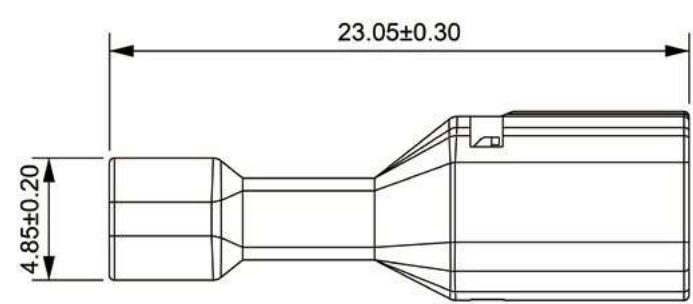
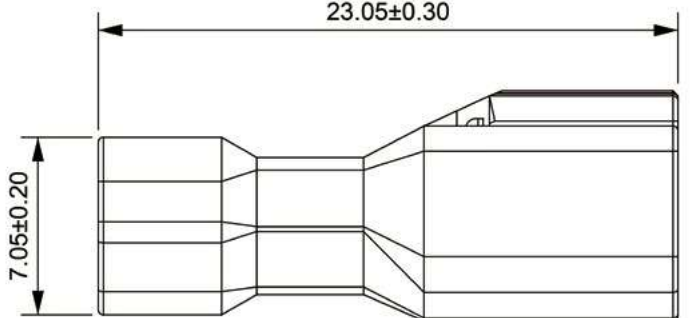
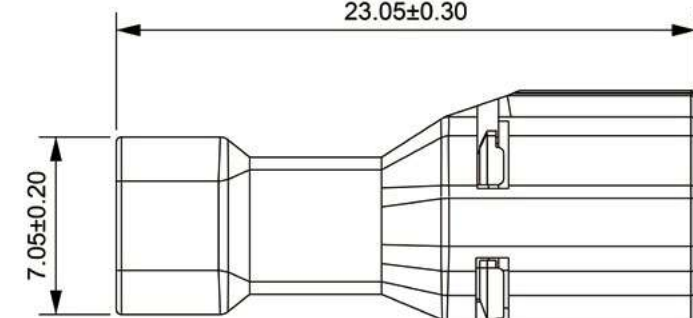
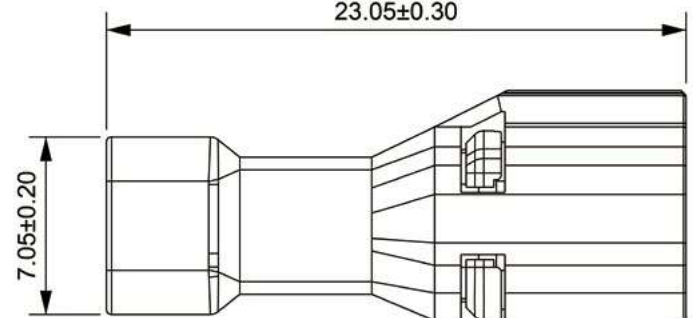
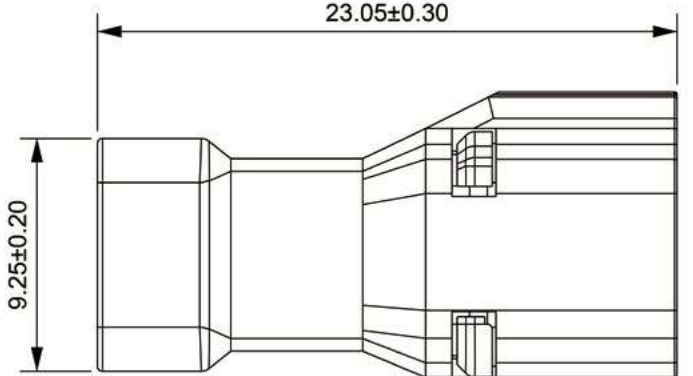
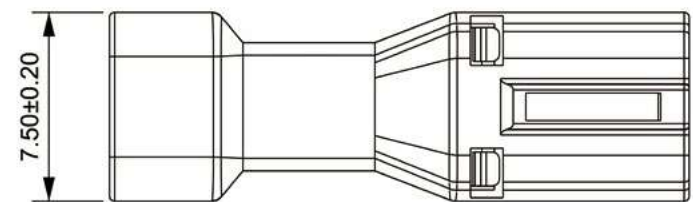
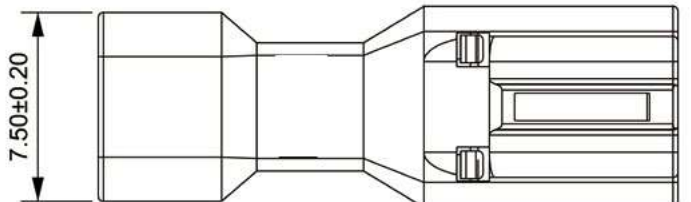
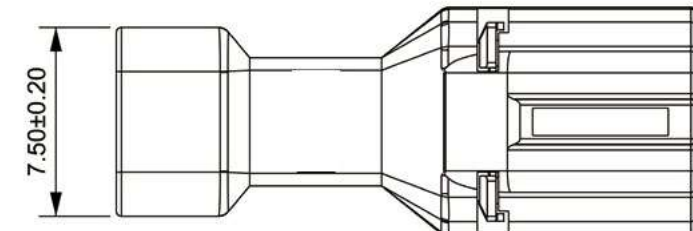
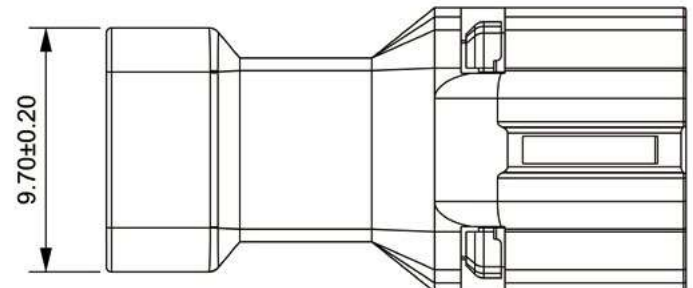
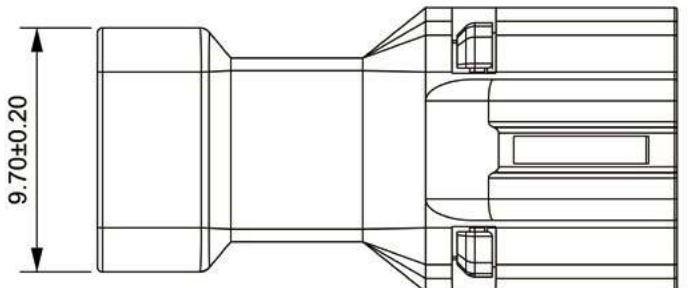
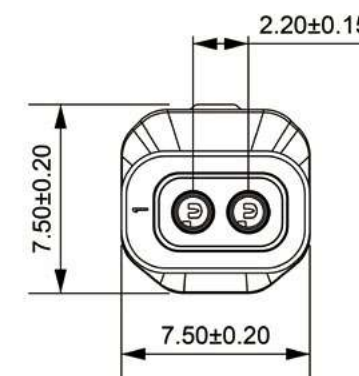
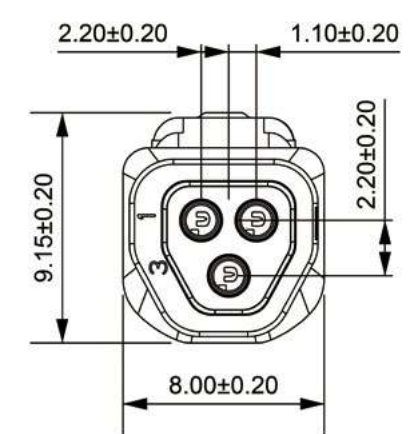
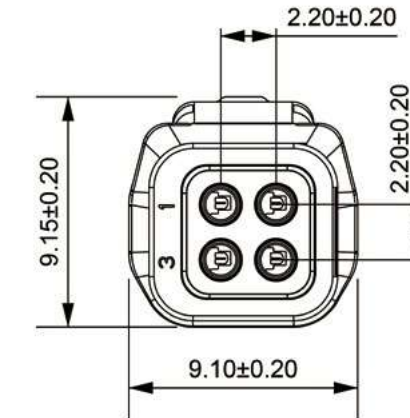
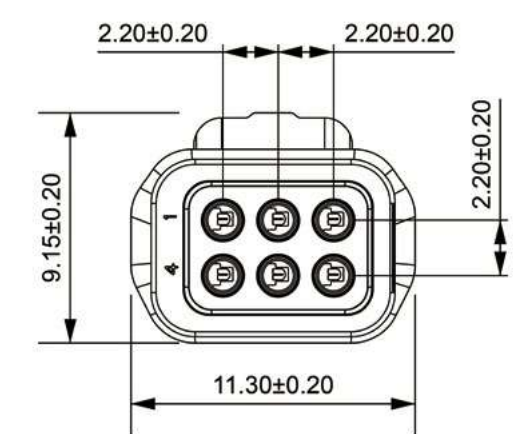
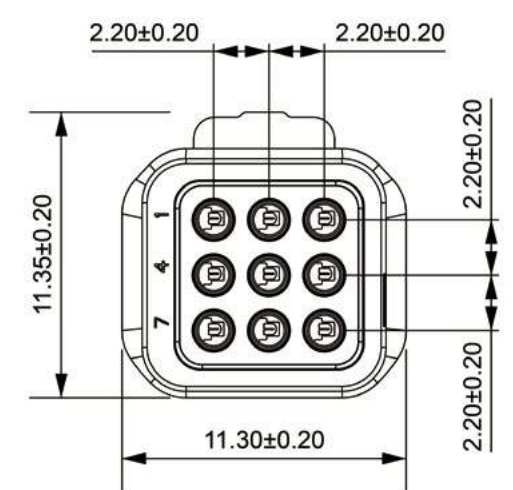
Material	
Insulating material	Male socket: PBT (black) / Female socket: PBT (natural color)
Contact material	Copper alloy (tin-plated surface)

Electrical performance	
Rated voltage	250V AC/DC
Rated current	20 AWG: 5.0A/pin for 2pin; 3.5A/pin for 3~9pin 22 AWG: 4.0A/pin for 2pin; 3.0A/pin for 3~9pin 24 AWG: 3.5A/pin for 2pin; 2.0A/pin for 3~9pin 26 AWG: 3.0A/pin for 2pin; 1.0A/pin for 3~9pin
Insulation resistance	≥1000MΩ
Contact resistance	≤30mΩ
Withstand voltage	650V AC

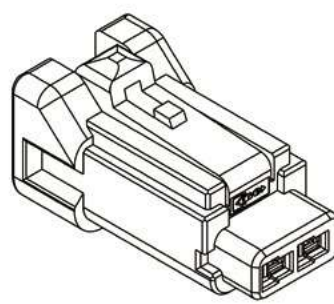
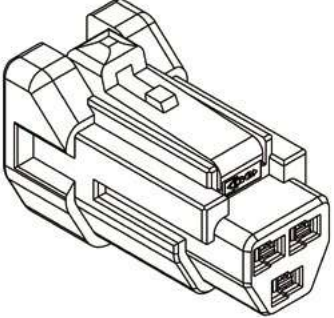
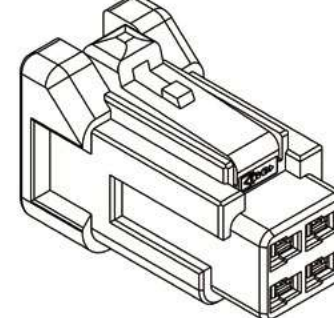
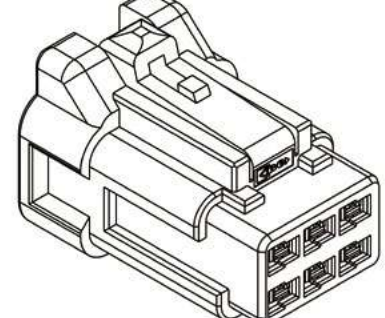
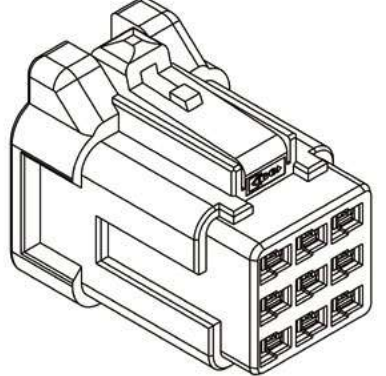
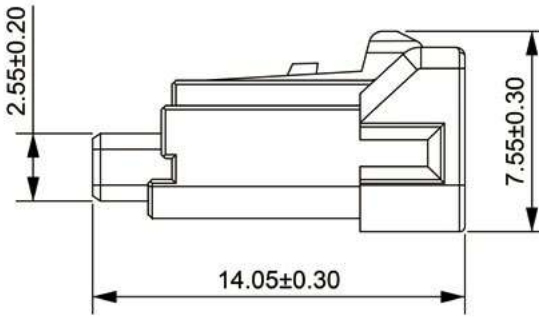
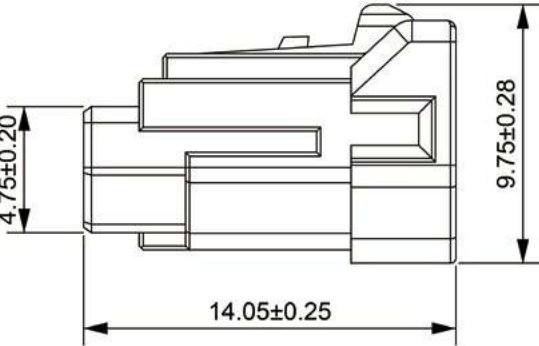
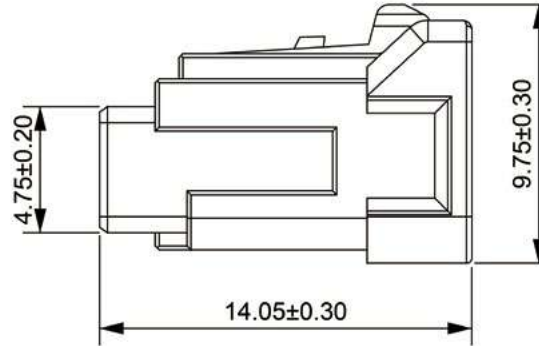
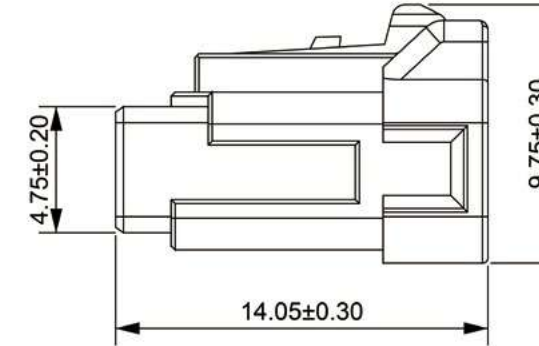
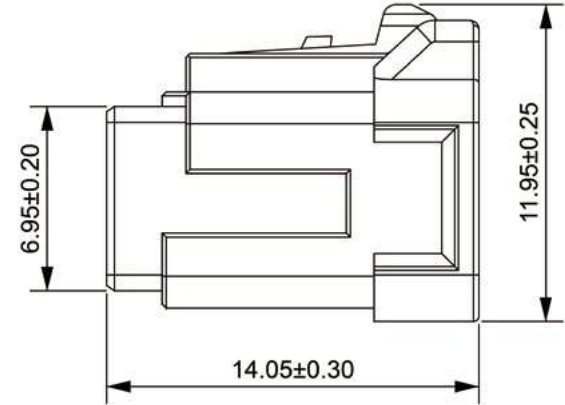
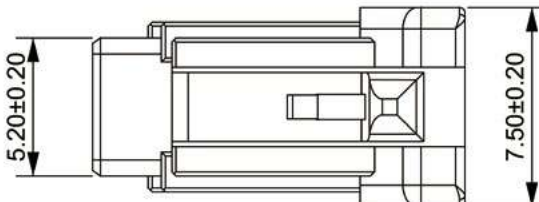
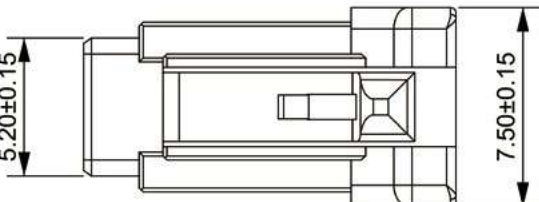
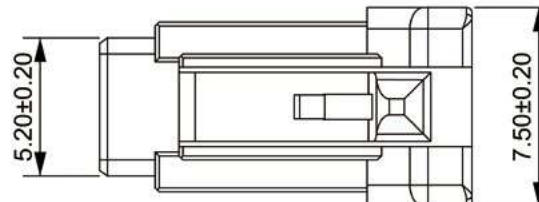
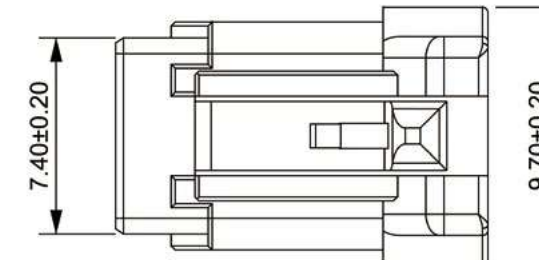
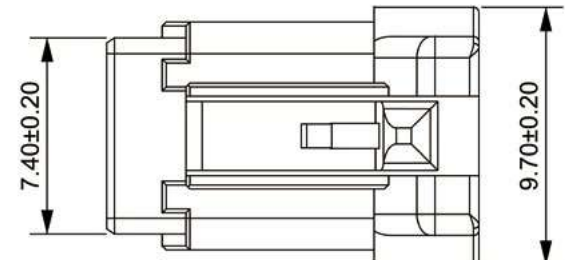
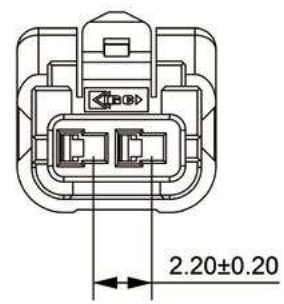
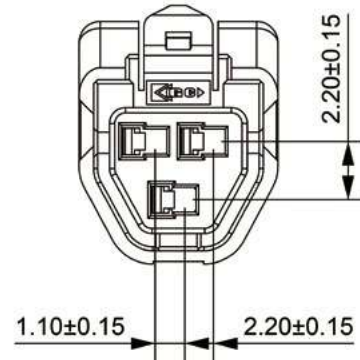
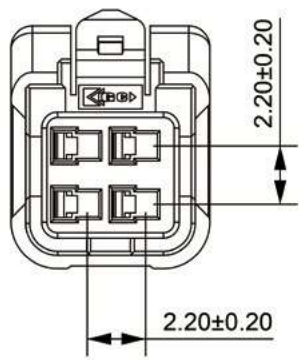
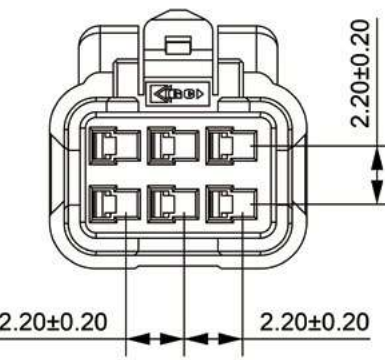
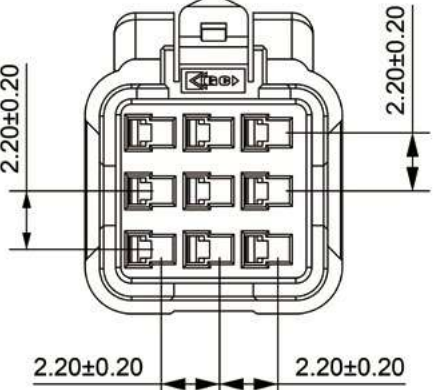
Environmental performance	
Operating temperature	-40°C-105°C
Mechanical vibration	Frequency: 10-55Hz, amplitude: 0.75mm, 10 cycles for each X/Y/Z axis
Mechanical shock	Acceleration: 490 m/s ² for 11 seconds, 3 times for each X/Y/Z axis
Moisture resistance	Temperature: 40±2°C, humidity: 90~95%, placed for 96 hours
Temperature cycle	-55°C to 85°C / 5 cycles

Mechanical performance	
Durability	Tin: 30 cycles Gold: 50 cycles
Note: One cycle includes one insertion and one withdrawal	

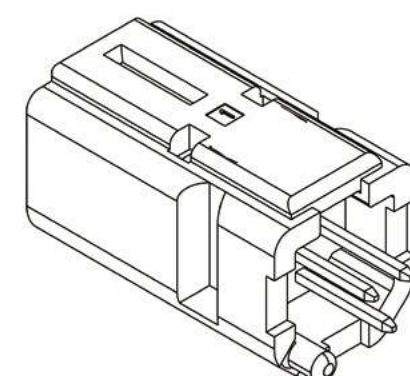
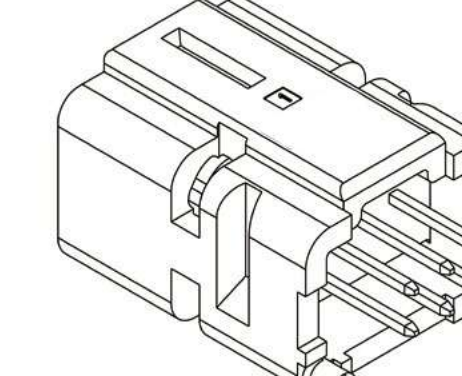
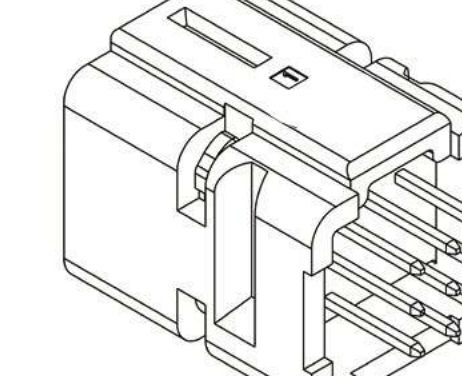
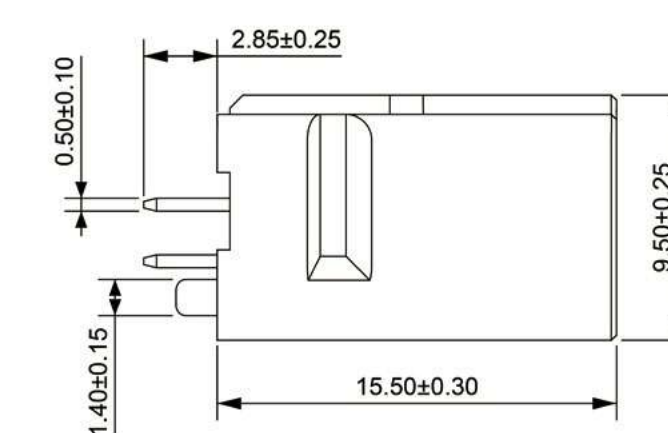
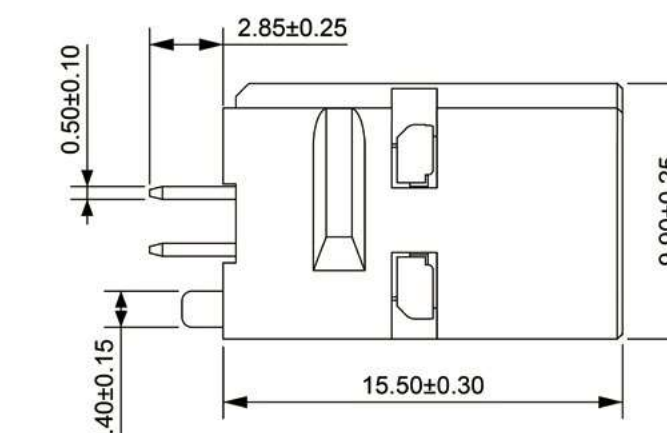
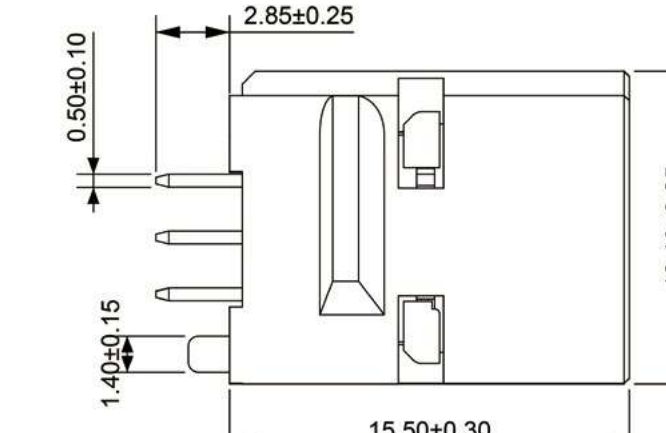
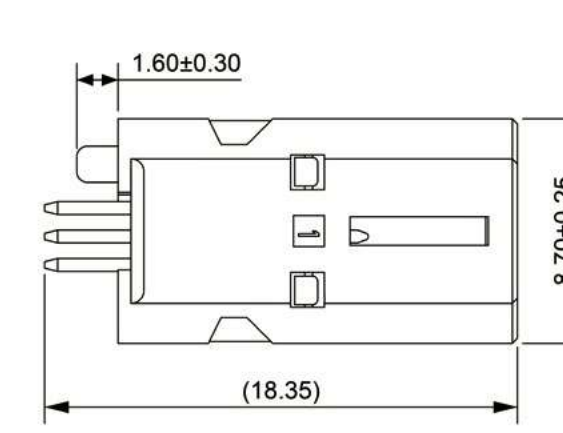
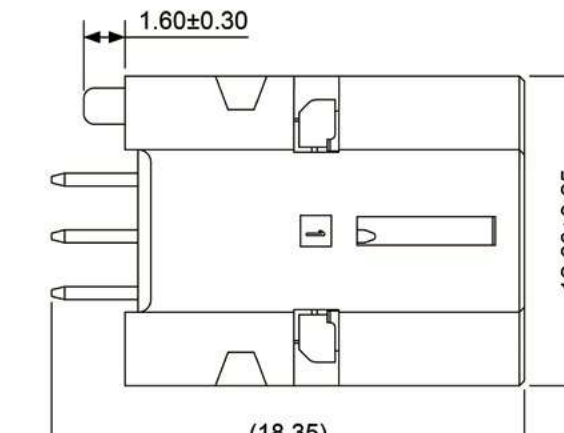
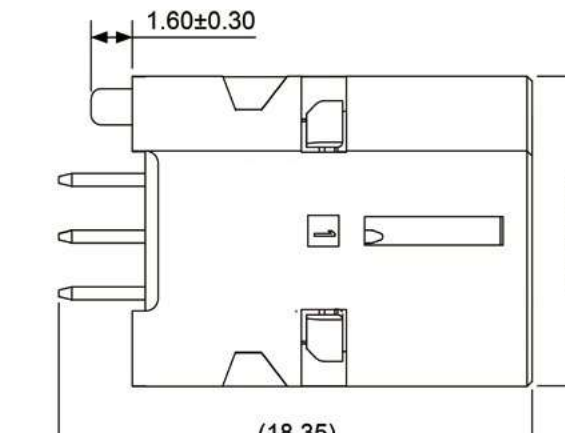
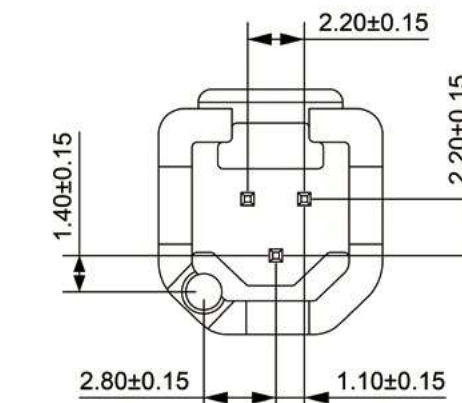
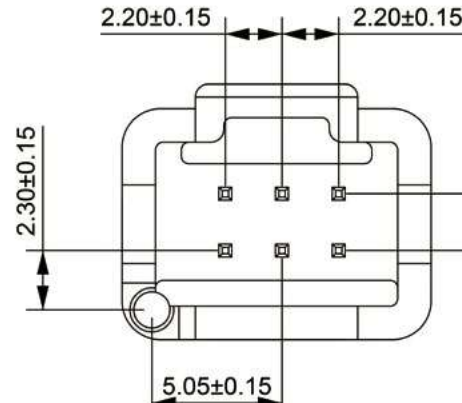
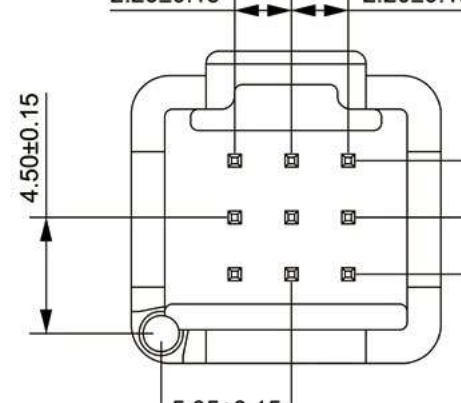
Male socket specification (wire-side)

 <p>2Pin</p> <p>RAGZ181-02AAN-N</p>	 <p>3Pin</p> <p>RAHW072-03AAZ-N</p>	 <p>4Pin</p> <p>RAGZ182-02AAN-N</p>	 <p>6Pin</p> <p>RAHW052-03AAZ-N</p>	 <p>9Pin</p> <p>RAGZ183-03ANN-N</p>
 <p>23.05±0.30</p> <p>4.85±0.20</p>	 <p>23.05±0.30</p> <p>7.05±0.20</p>	 <p>23.05±0.30</p> <p>7.05±0.20</p>	 <p>23.05±0.30</p> <p>7.05±0.20</p>	 <p>23.05±0.30</p> <p>9.25±0.20</p>
 <p>7.50±0.20</p>	 <p>7.50±0.20</p>	 <p>7.50±0.20</p>	 <p>9.70±0.20</p>	 <p>9.70±0.20</p>
 <p>2.20±0.15</p> <p>7.50±0.20</p> <p>7.50±0.20</p>	 <p>2.20±0.20</p> <p>1.10±0.20</p> <p>9.15±0.20</p> <p>8.00±0.20</p> <p>2.20±0.20</p>	 <p>2.20±0.20</p> <p>9.15±0.20</p> <p>9.10±0.20</p> <p>2.20±0.20</p>	 <p>2.20±0.20</p> <p>2.20±0.20</p> <p>9.15±0.20</p> <p>11.30±0.20</p> <p>2.20±0.20</p>	 <p>2.20±0.20</p> <p>2.20±0.20</p> <p>11.35±0.20</p> <p>11.30±0.20</p> <p>2.20±0.20</p> <p>2.20±0.20</p>

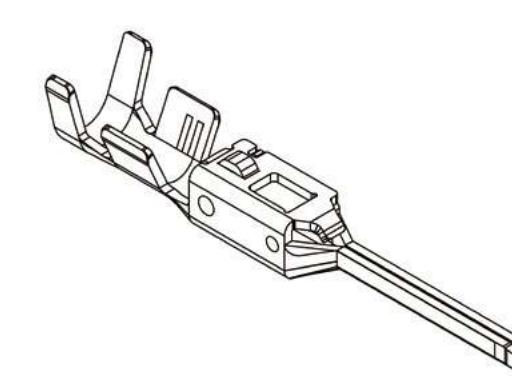
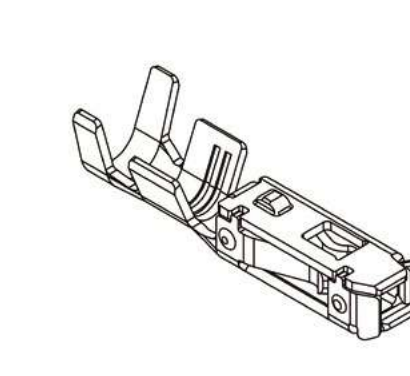
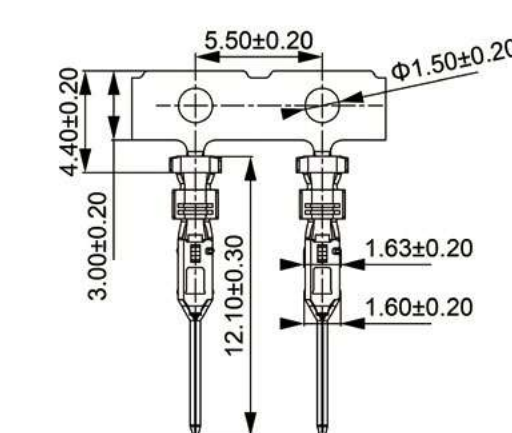
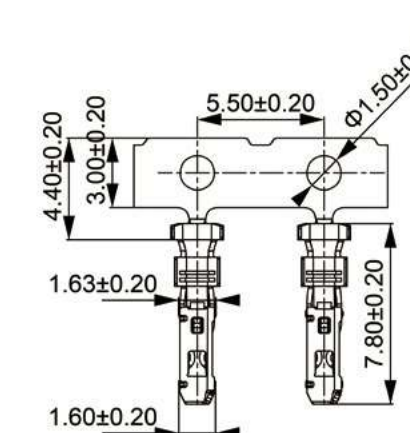
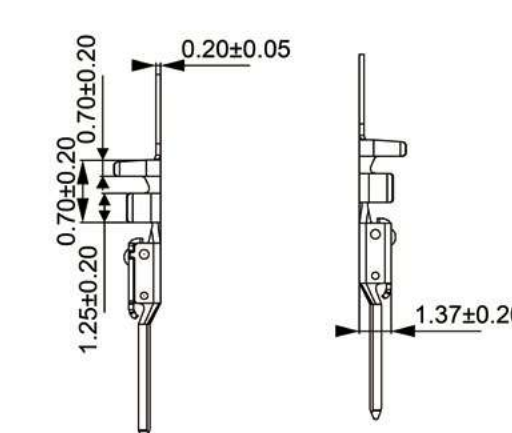
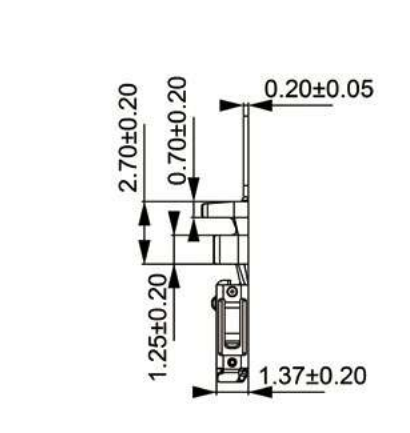
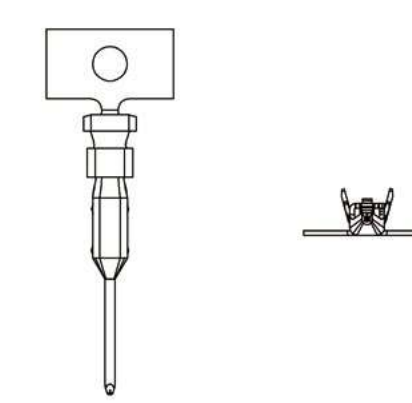
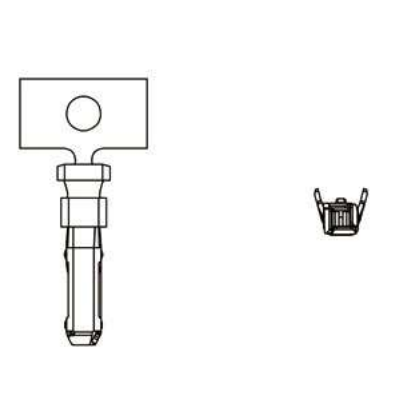
Female socket specification (wire-side)

2Pin	3Pin	4Pin	6Pin	9Pin
 <p>RAGZ171-02AAT-N</p>	 <p>RAHW082-03AAT-N</p>	 <p>RAGZ172-02AAT-N</p>	 <p>AHW062-03AAT-N</p>	 <p>RAGZ173-03AAT-N</p>
				
				
				

Male socket specification (board-side)

3Pin	6Pin	9Pin
 <p>RGZWA202-B001</p>	 <p>RGZWA201-B001</p>	 <p>RGZWA301-B001</p>
 <p>Dimensions: 2.85±0.25, 0.50±0.10, 1.40±0.15, 15.50±0.30, 9.50±0.25</p>	 <p>Dimensions: 2.85±0.25, 0.50±0.10, 1.40±0.15, 15.50±0.30, 9.90±0.25</p>	 <p>Dimensions: 2.85±0.25, 0.50±0.10, 1.40±0.15, 15.50±0.30, 12.10±0.25</p>
 <p>Dimensions: 1.60±0.30, 8.70±0.25, (18.35)</p>	 <p>Dimensions: 1.60±0.30, 12.00±0.25, (18.35)</p>	 <p>Dimensions: 1.60±0.30, 12.00±0.25, (18.35)</p>
 <p>Dimensions: 2.20±0.15, 1.40±0.15, 2.80±0.15, 1.10±0.15, 2.20±0.15</p>	 <p>Dimensions: 2.20±0.15, 2.20±0.15, 2.30±0.15, 5.05±0.15, 2.20±0.15</p>	 <p>Dimensions: 2.20±0.15, 2.20±0.15, 4.50±0.15, 5.05±0.15, 2.20±0.15, 2.20±0.15</p>

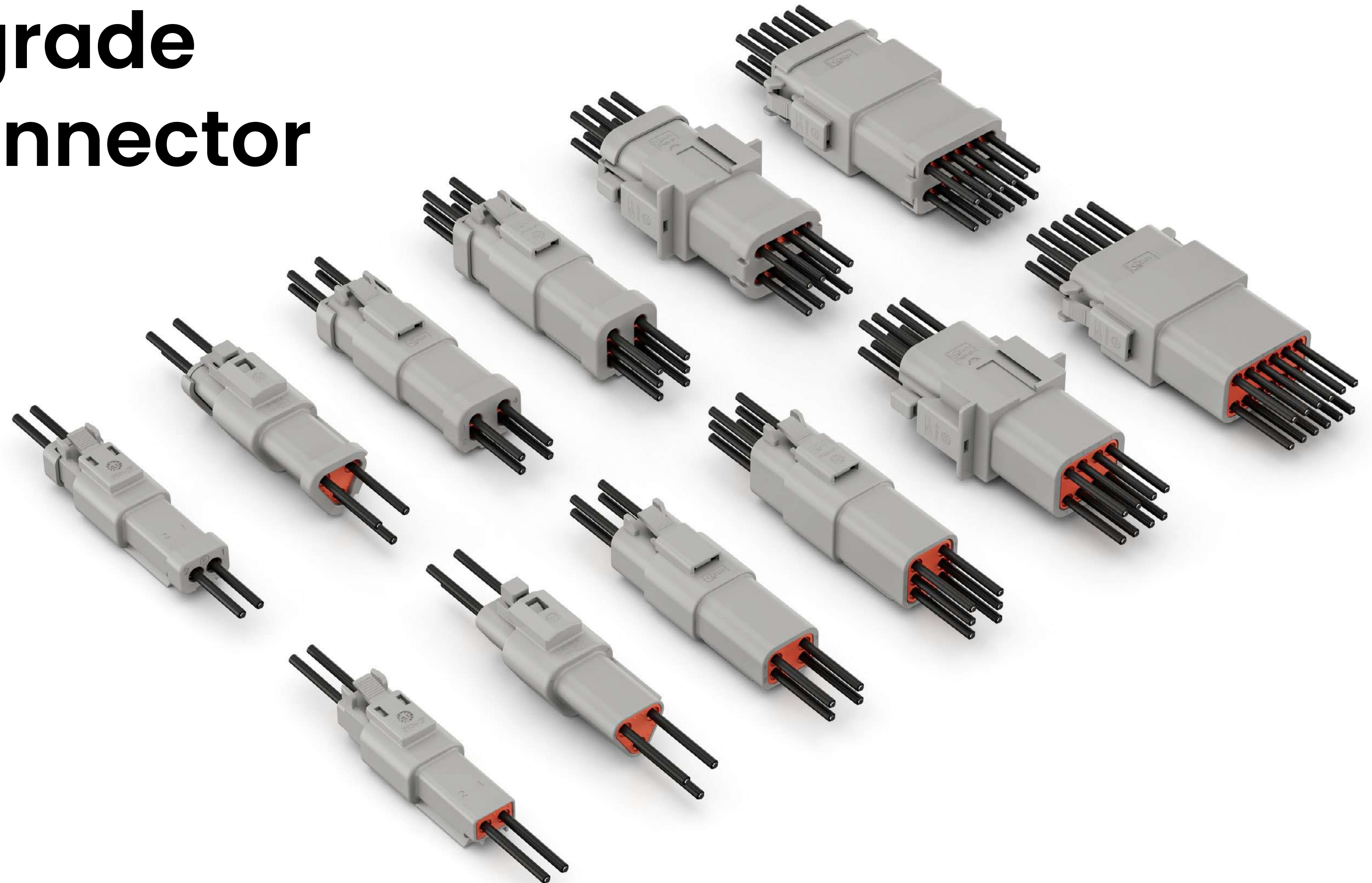
Terminal specification

 <p>RARZIE1-01/02R2AB</p>	 <p>RARZIE2-01/02R2AB</p>
 <p>Dimensions: 5.50±0.20, 4.40±0.20, 3.00±0.20, 12.10±0.30, 1.63±0.20, 1.60±0.20, Φ1.50±0.20</p>	 <p>Dimensions: 5.50±0.20, 4.40±0.20, 3.00±0.20, 12.10±0.30, 1.63±0.20, 1.60±0.20, 7.80±0.20, Φ1.50±0.20</p>
 <p>Dimensions: 0.20±0.05, 0.70±0.20, 1.25±0.20, 1.37±0.20</p>	 <p>Dimensions: 0.20±0.05, 2.70±0.20, 0.70±0.20, 1.25±0.20, 1.37±0.20</p>
	

Automotive-grade waterproof connector RGT Series

Maximum Current: 13A/Pin

Connection Type: wire-to-wire





Automotive



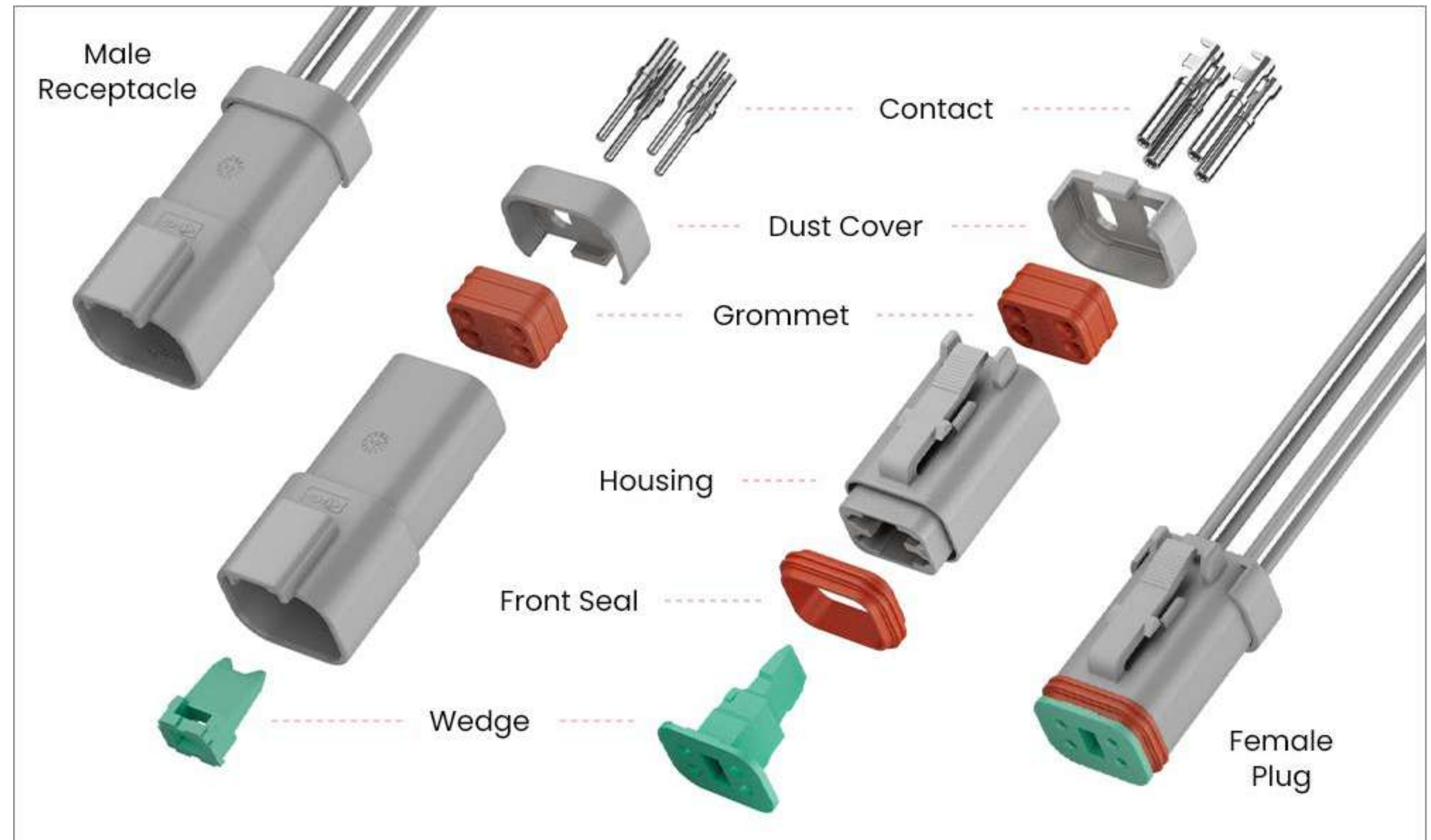
Agricultural Machinery



Industrial



Telecommunications



The RGT Series wire-to-wire connectors feature a waterproof and anti-loosening housing design, ensuring a secure and tightly sealed connection for harsh environments. Each contact supports up to 13A of current with press-fit terminals.

This is a high-performance, cost-effective solution commonly used in heavy-duty equipment, agricultural machinery, automotive systems, new energy applications, and other devices requiring reliable interconnects.

Type	Pin No.	Finished product part number	Housing kit part number	Terminal part number	Wedge Part Number
Male Receptacle	2	RGT-02P (Without Cover)	RAGZ011-02APA	RGTZ1E2-010IBL	RAGZ051-02AAL
		RGT-02P-F (With Cover)	RAGZ021-02APA		
	3	RGT-03P (Without Cover)	RAGZ011-03APA	RGTZ1E2-010IBL	RAGZ020-03AAL
		RGT-03P-F (With Cover)	RAGZ021-03APA		
	4	RGT-04P (Without Cover)	RAGZ011-04APA	RGTZ1E2-010IBL	RAGZ161-04AAL
		RGT-04P-F (With Cover)	RAGZ021-04APA		
	6	RGT-06P (Without Cover)	RAGZ011-06APA	RGTZ1E2-010IBL	RAGZ222-06AAL
		RGT-06P-F (With Cover)	RAGZ021-06APA		
	8	RGT-08P (Without Cover)	RAGZ011-08APA	RGTZ1E2-010IBL	RAGZ232-08AAL
		RGT-08P-F (With Cover)	RAGZ021-08APA		
	12	RGT-12P (Without Cover)	RAGZ011-12APA	RGTZ1E2-010IBL	RAGZ242-12AAL
		RGT-12P-F (With Cover)	RAGZ021-12APA		
Female Plug	2	RGT-02S (Without Cover)	RAGZ081-02APA	RARZ1C4-0101AB	RAGZ071-02AAL
		RGT-02S-F (With Cover)	RAGZ091-02APA		
	3	RGT-03S (Without Cover)	RAGZ070-03APA	RARZ1C4-0101AB	RAGZ050-03AAL
		RGT-03S-F (With Cover)	RAGZ060-03APA		
	4	RGT-04S (Without Cover)	RAGZ121-04APA	RARZ1C4-0101AB	RAGZ111-04AAL
		RGT-04S-F (With Cover)	RAGZ131-04APA		
	6	RGT-06S (Without Cover)	RAGZ372-06APA	RARZ1C4-0101AB	RAGZ292-06AAL
		RGT-06S-F (With Cover)	RAGZ342-06APA		
	8	RGT-08S (Without Cover)	RAGZ382-08APA	RARZ1C4-0101AB	RAGZ312-08AAL
		RGT-08S-F (With Cover)	RAGZ352-08APA		
	12	RGT-12S (Without Cover)	RAGZ392-12APA	RARZ1C4-0101AB	RAGZ332-12AAL
		RGT-12S-F (With Cover)	RAGZ362-12APA		

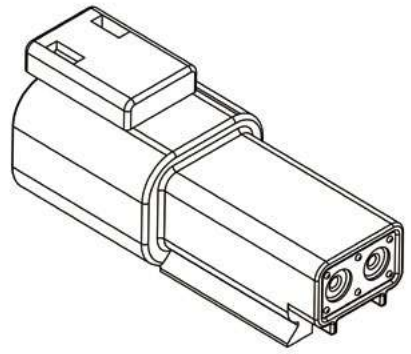
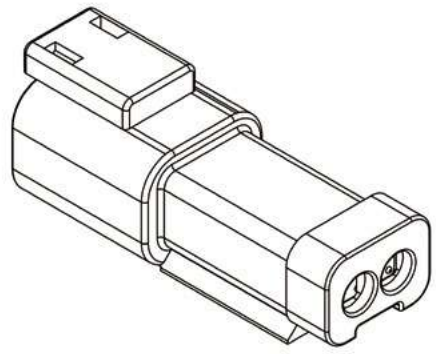
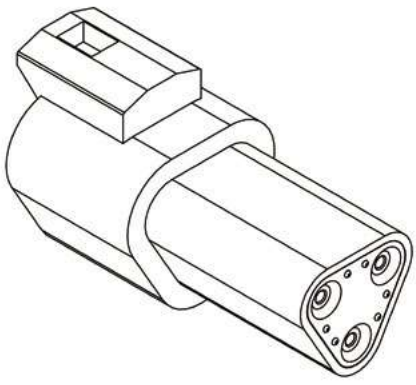
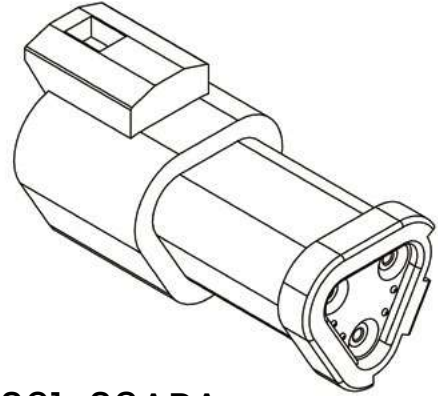
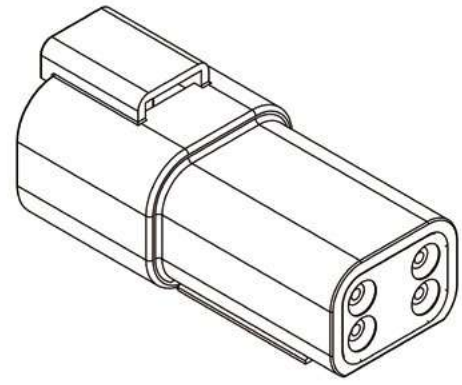
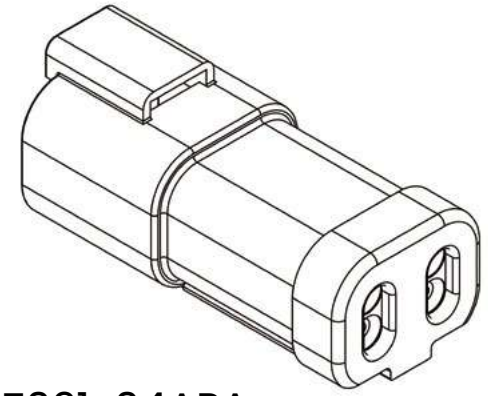
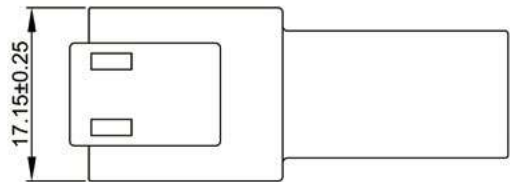
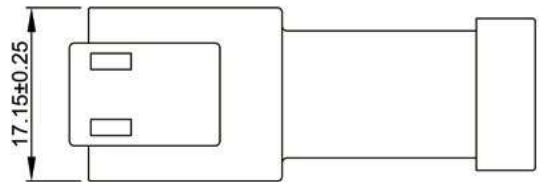
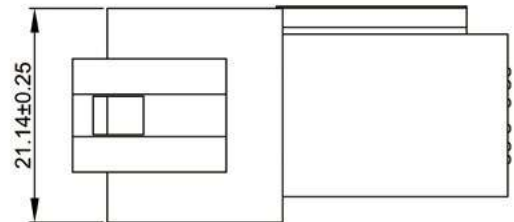
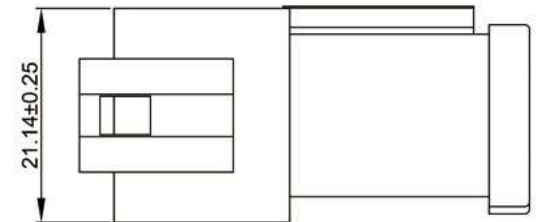
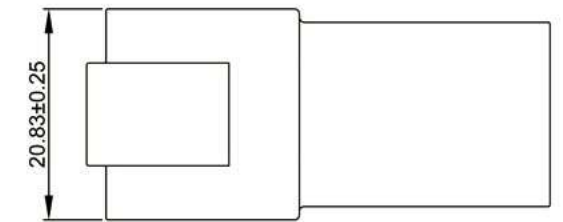
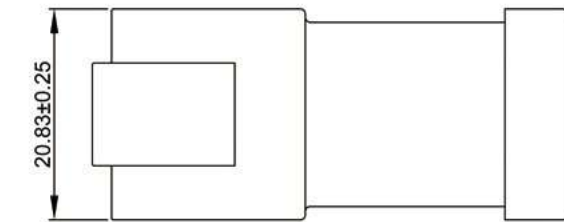
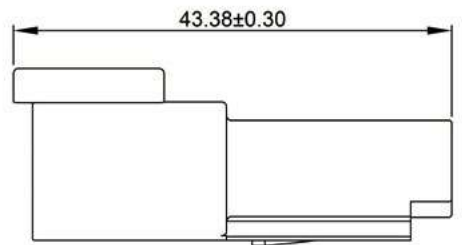
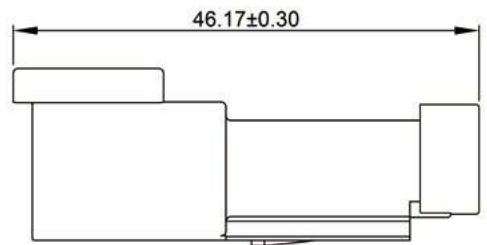
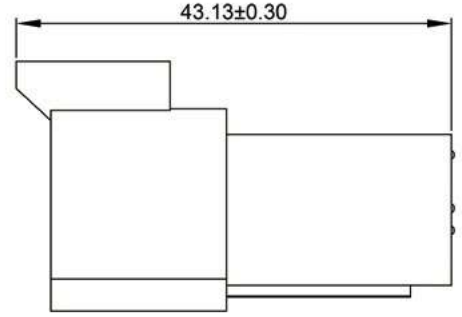
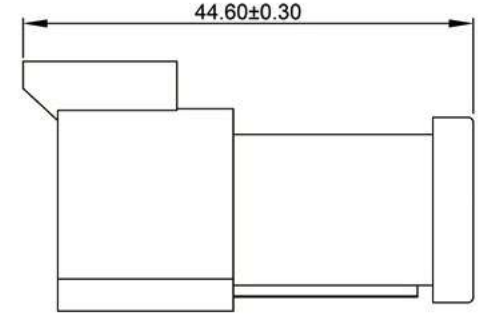
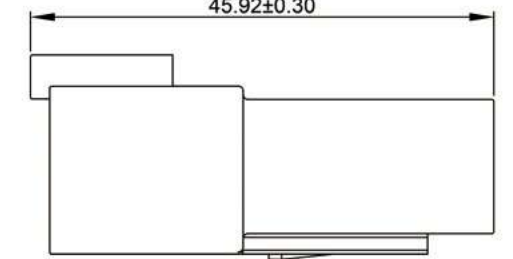
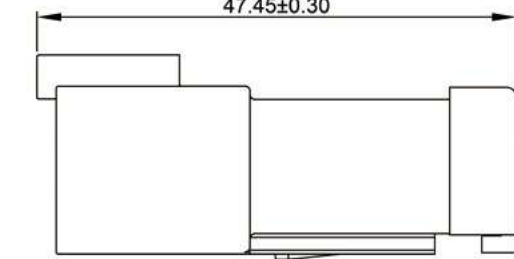
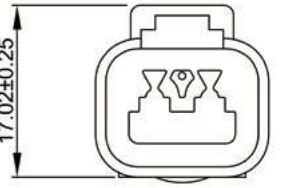
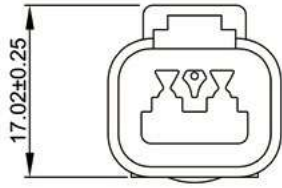
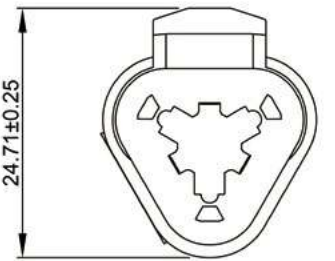
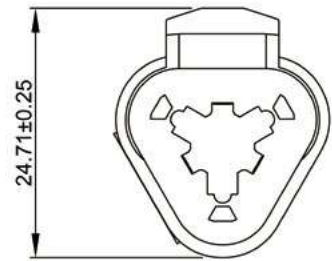
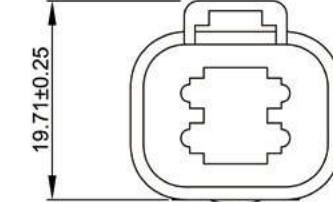
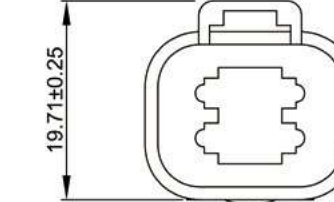
Material	
Plastic material	PA66
Terminal material	Female socket: Phosphor Bronze; Male socket: Brass
Plating	Nickel: 50~100μ"
Wires	0.5~2.00mm ² (AWG20~AWG14)

Electrical performance	
Rated voltage	250V AC/DC
Rated current	13A (14AWG / 2.00mm ²) (16AWG / 1.00mm ²) 10A (18AWG / 0.80mm ²) 7.5A (20AWG / 0.50mm ²)
Insulation resistance	≥1000MΩ
Contact resistance	≤30mΩ
Withstand voltage	1500V AC

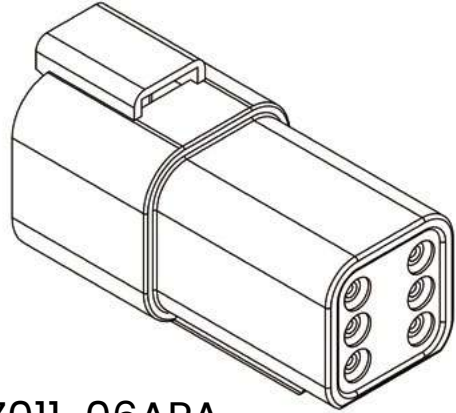
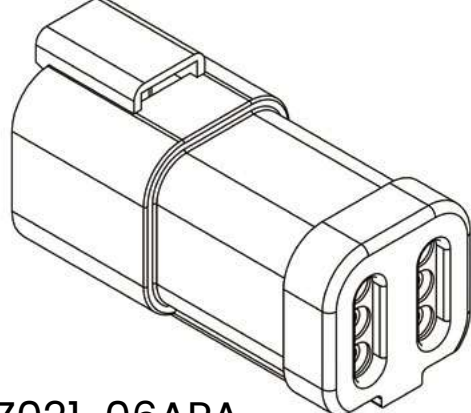
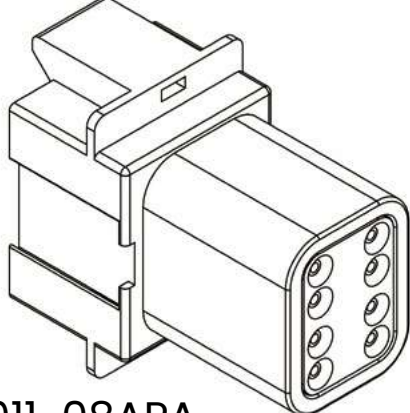
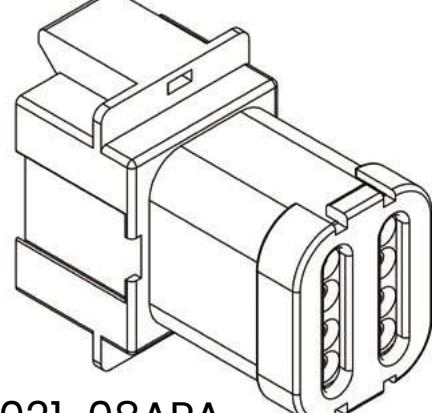
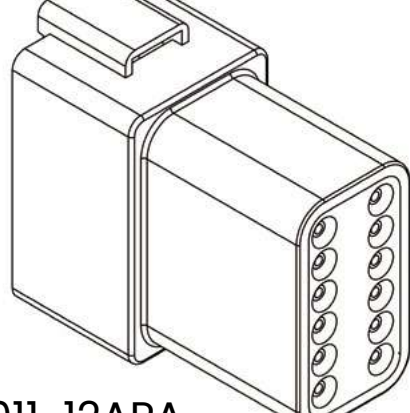
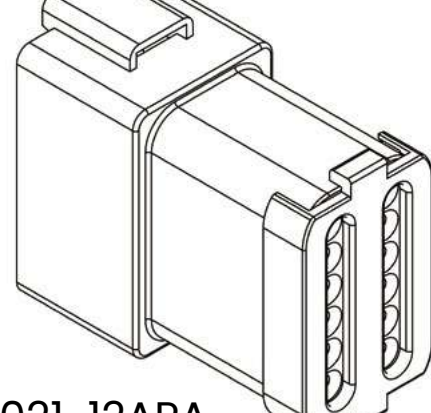
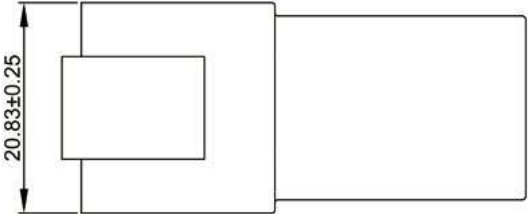
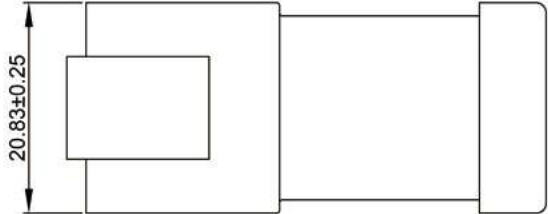
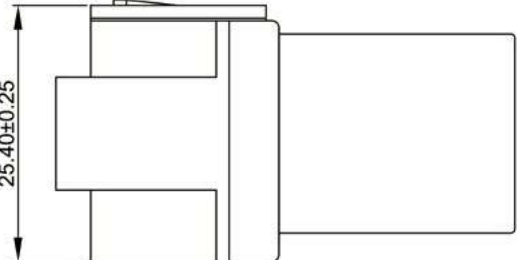
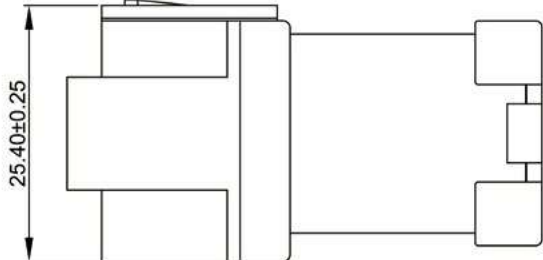
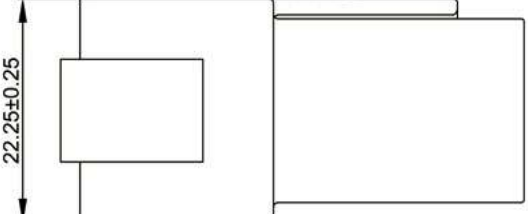
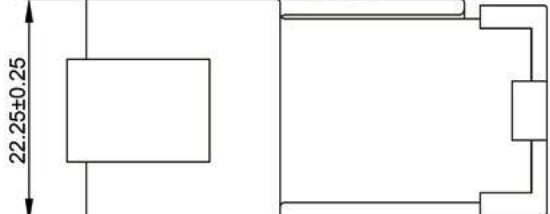
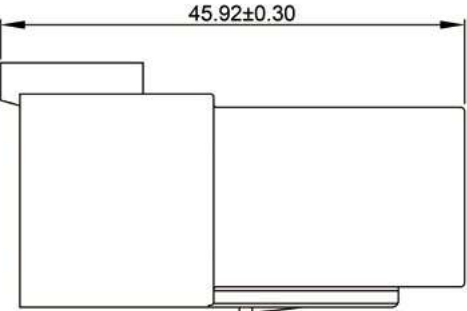
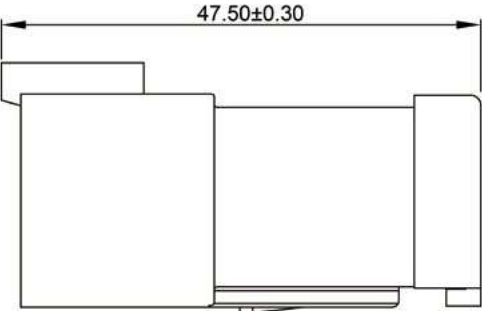
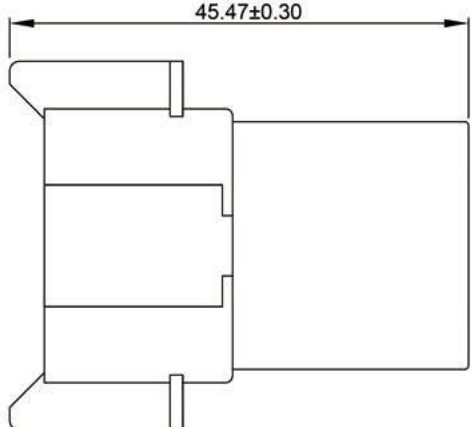
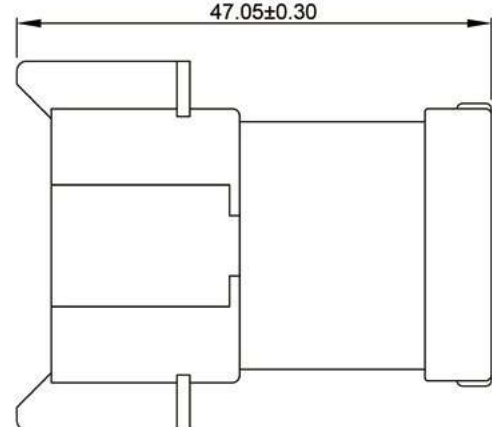
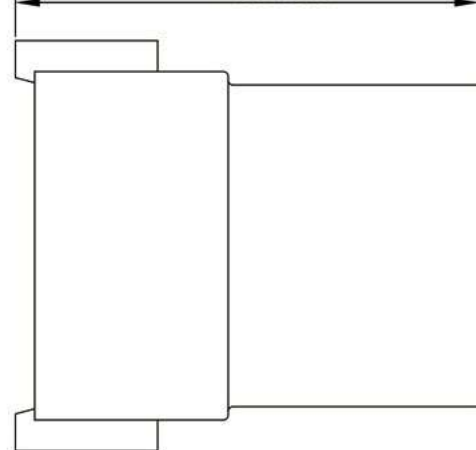
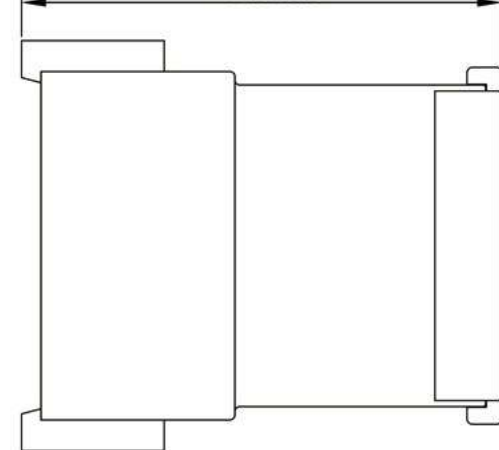
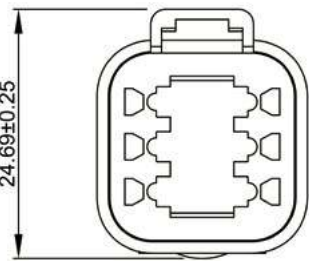
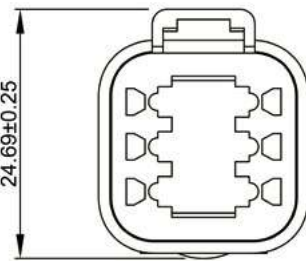
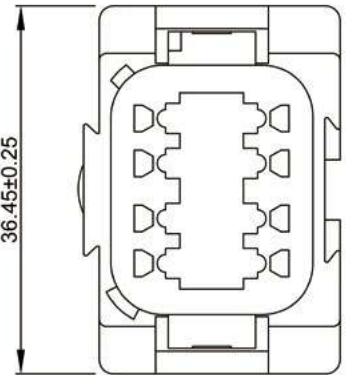
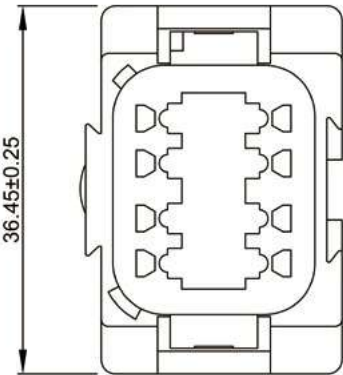
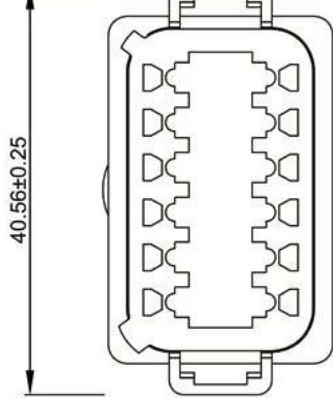
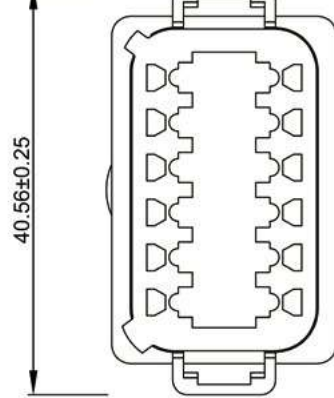
Environmental performance	
Operating temperature	-55°C ~125°C
Waterproof rating	IP68/IP6K9K
Mechanical vibration	Frequency: 10~2000 Hz, 20 minutes per cycle, acceleration 20G, lasting 12 hours, 4 hours each on X/Y/Z axes
Mechanical shock	Acceleration: 50g; Pulse width: 11 ms; Repeated for 10 cycles
Thermal shock	-55 to 125 °C, 30 minutes each, 5 cycles
High temperature life	100 hours continuously at 125 °C
Salt spray	96 hours exposure to 5% salt solution

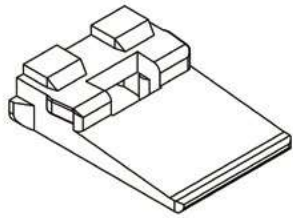
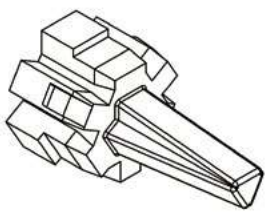
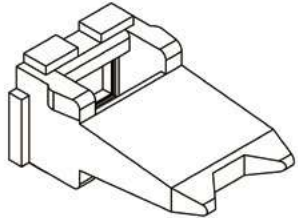
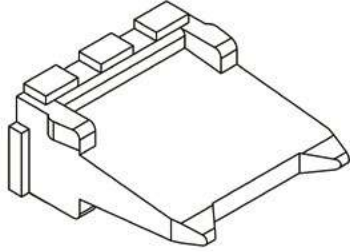
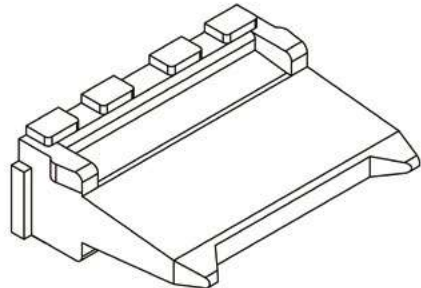
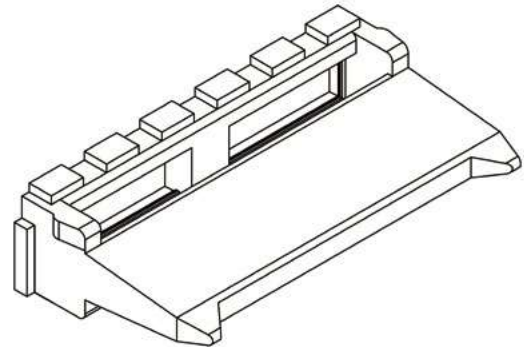
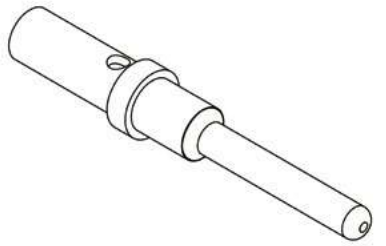
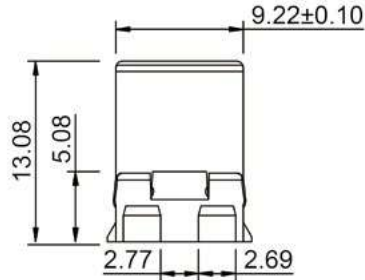
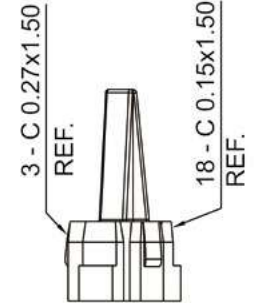
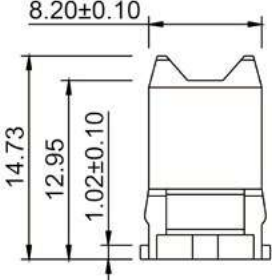
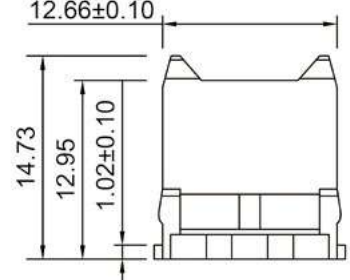
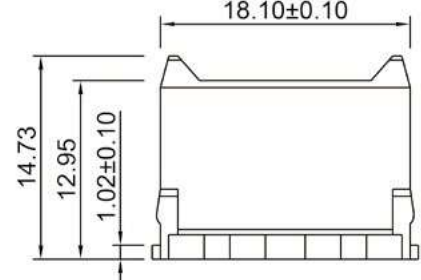
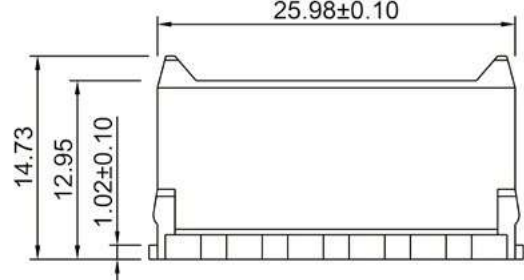
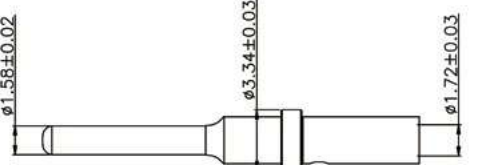
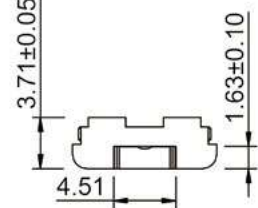
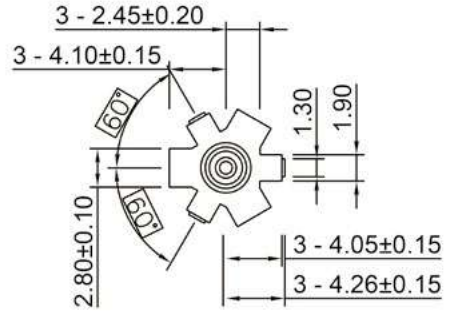
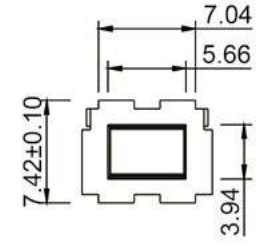
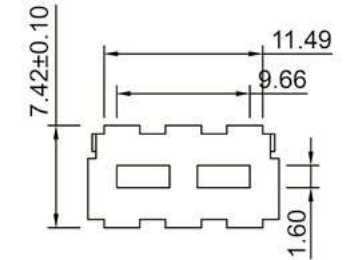
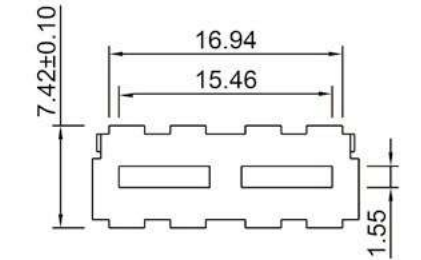
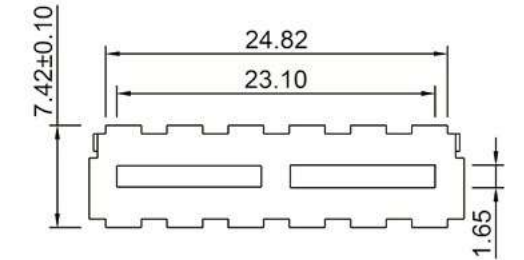
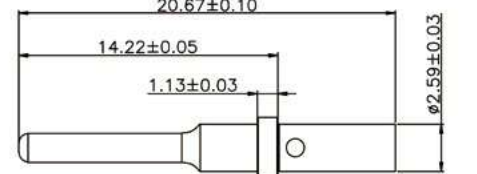
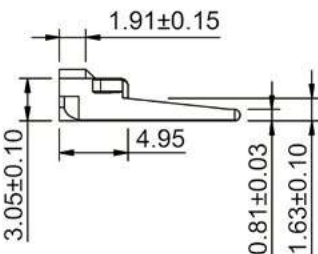
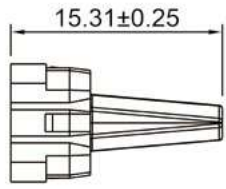
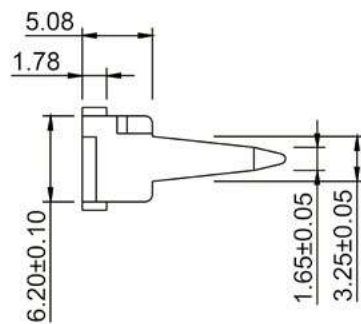
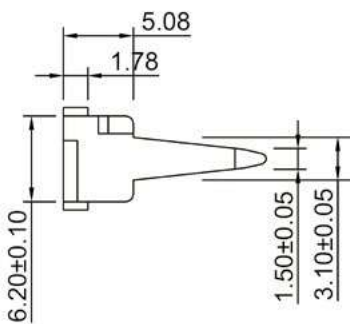
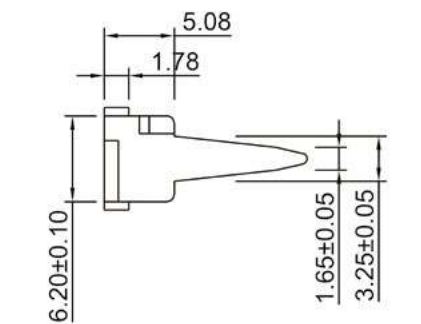
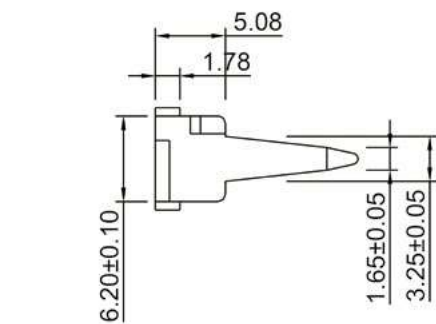

Mechanical performance	
Durability	100 cycles

Male Receptacle Specifications

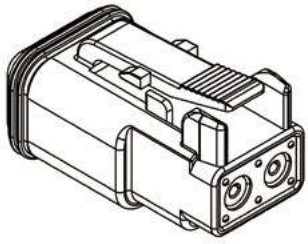
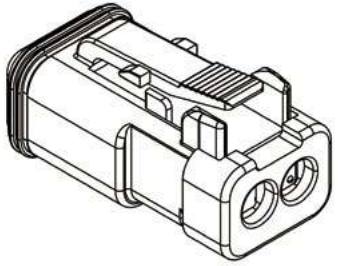
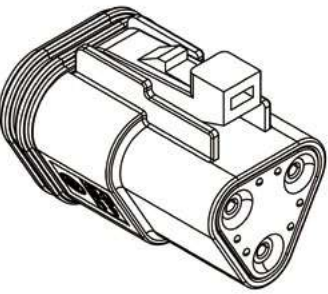
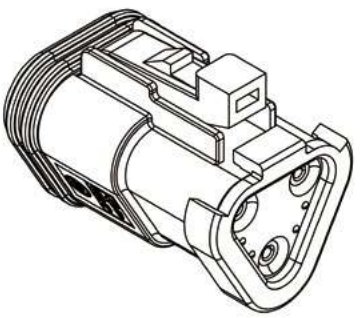
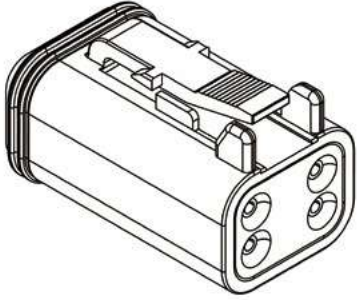
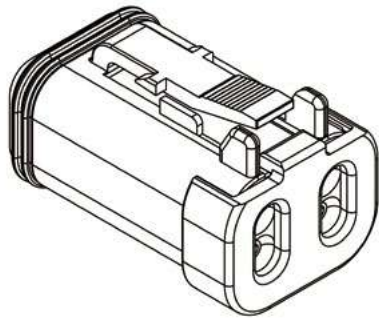
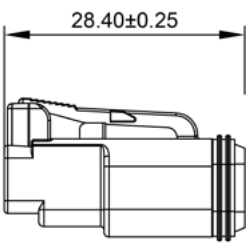
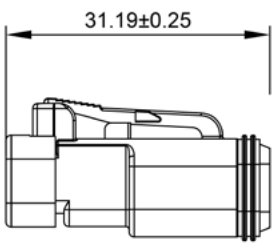
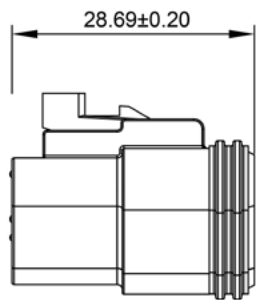
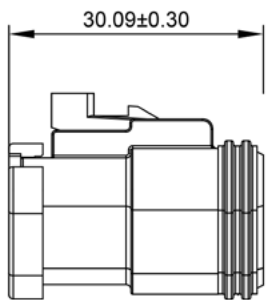
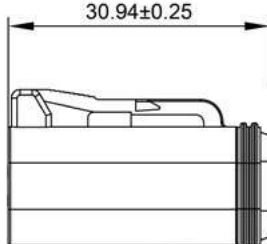
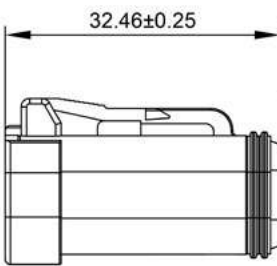
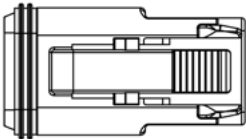
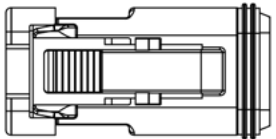
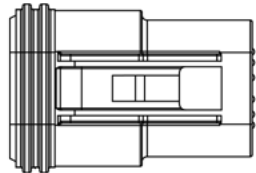
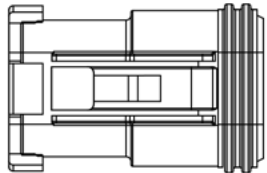
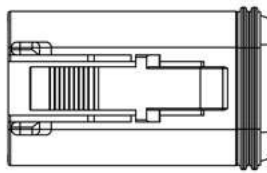
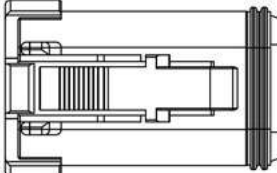
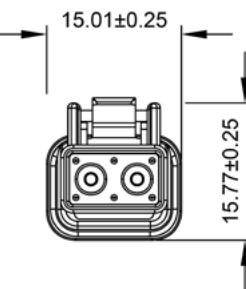
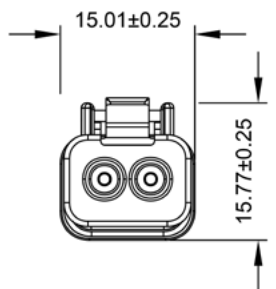
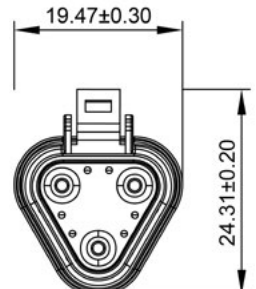
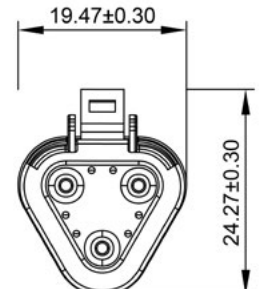
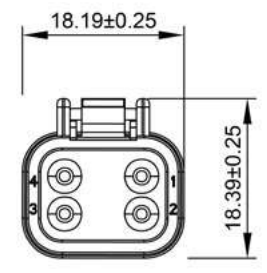
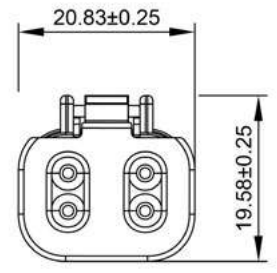
Male Receptacle Specifications					
					
RRAGZ011-02APA	RAGZ021-02APA	RAGZ011-03APA	RAGZ021-03APA	RAGZ011-04APA	RAGZ021-04APA
					
					
					

Male Receptacle Specifications

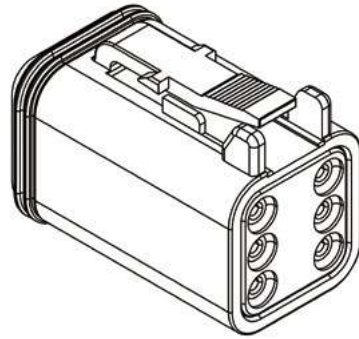
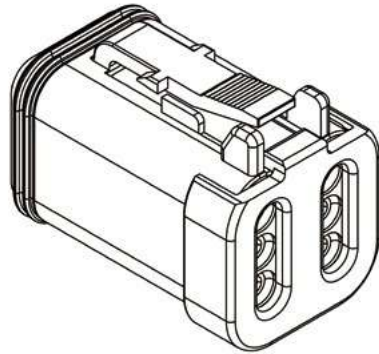
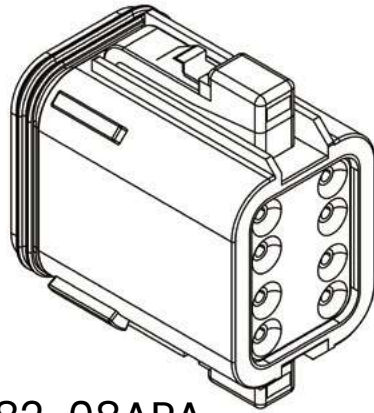
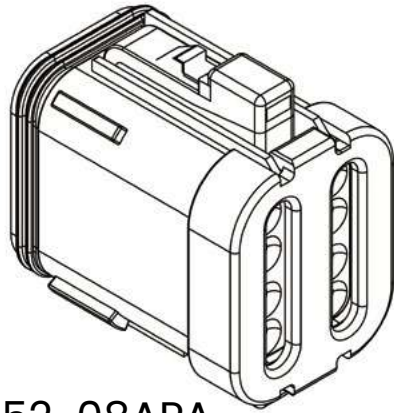
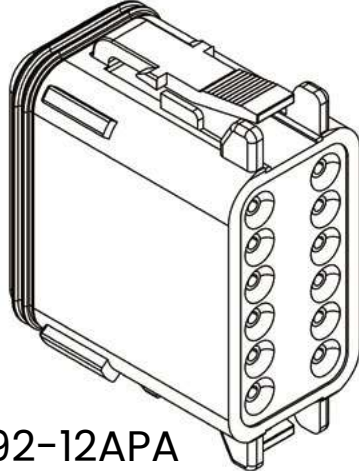
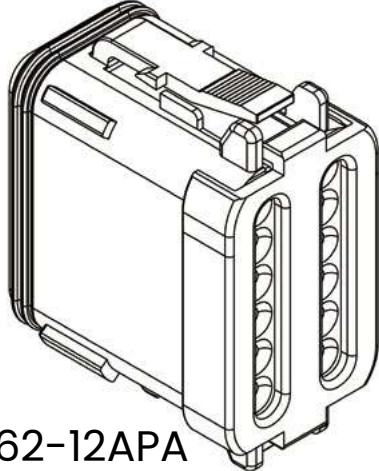
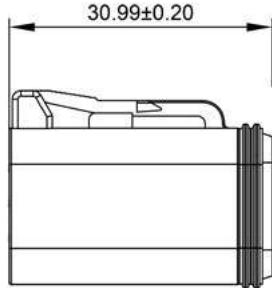
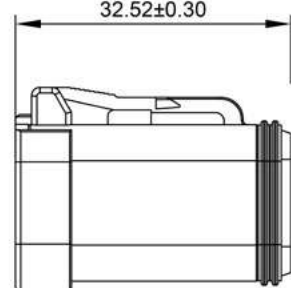
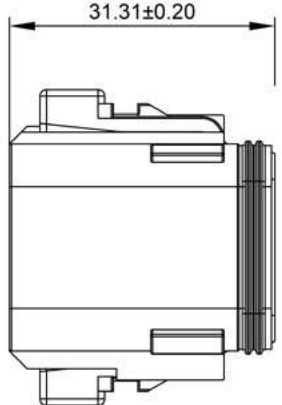
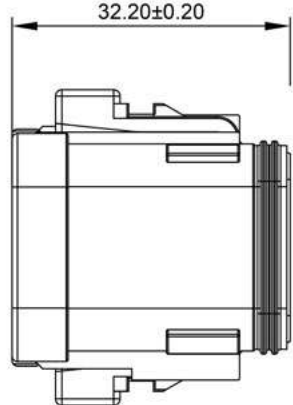
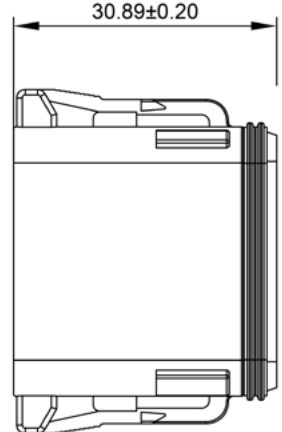
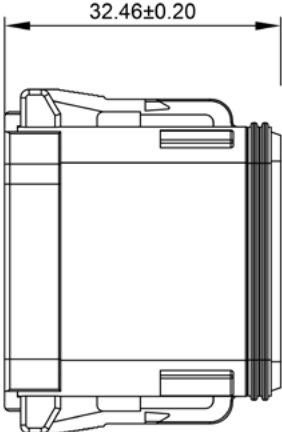
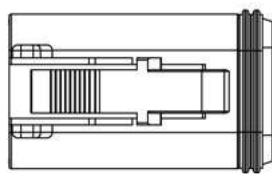
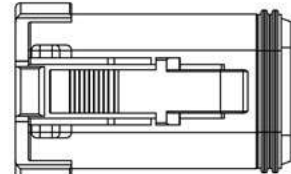
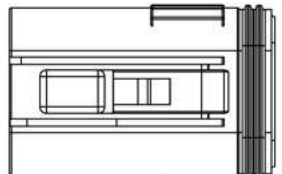
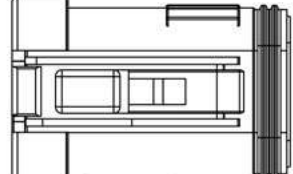
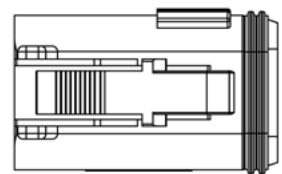
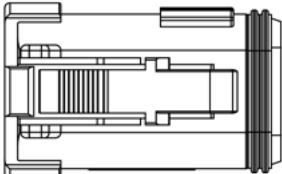
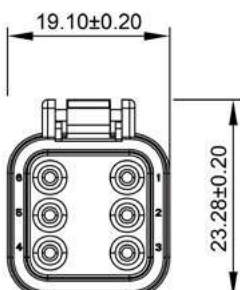
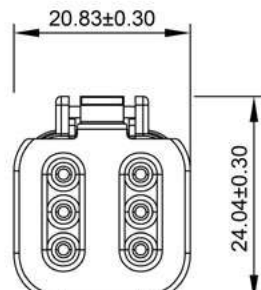
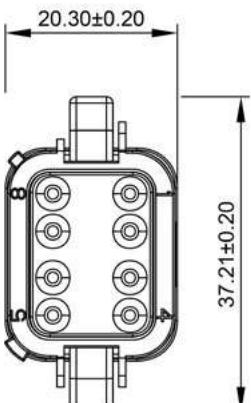
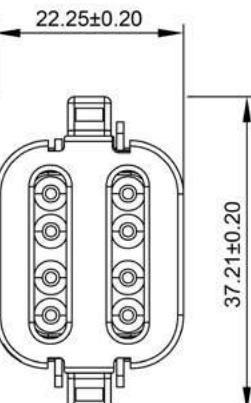
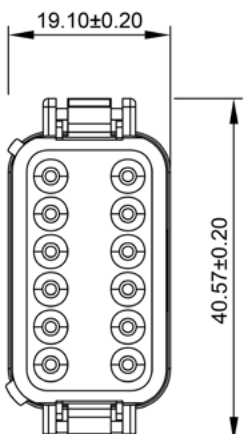
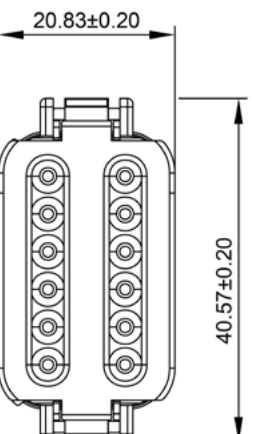
Male Receptacle Specifications					
 <p>RAGZ011-06APA</p>	 <p>RAGZ021-06APA</p>	 <p>RAGZ011-08APA</p>	 <p>RAGZ021-08APA</p>	 <p>RAGZ011-12APA</p>	 <p>RAGZ021-12APA</p>
 <p>20.83±0.25</p>	 <p>20.83±0.25</p>	 <p>25.40±0.25</p>	 <p>25.40±0.25</p>	 <p>22.25±0.25</p>	 <p>22.25±0.25</p>
 <p>45.92±0.30</p>	 <p>47.50±0.30</p>	 <p>45.47±0.30</p>	 <p>47.05±0.30</p>	 <p>45.92±0.30</p>	 <p>47.50±0.30</p>
 <p>24.69±0.25</p>	 <p>24.69±0.25</p>	 <p>36.45±0.25</p>	 <p>36.45±0.25</p>	 <p>40.56±0.25</p>	 <p>40.56±0.25</p>

Male Receptacle Wedge Specifications						Male Terminal Specifications
						
RAGZ051-02AAL	RAGZ020-03AAL	RAGZ161-04AAL	RAGZ222-06AAL	RAGZ232-08AAL	RAGZ242-12AAL	RGTZIE2-0101BL
						
						
						

Female Plug Specifications

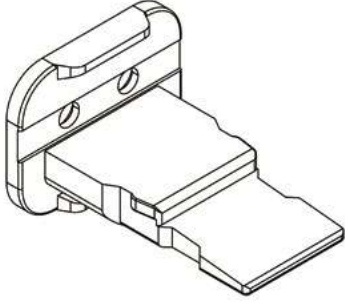
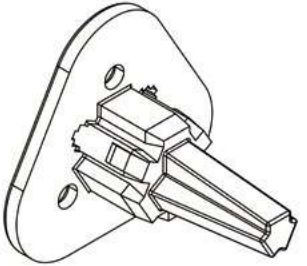
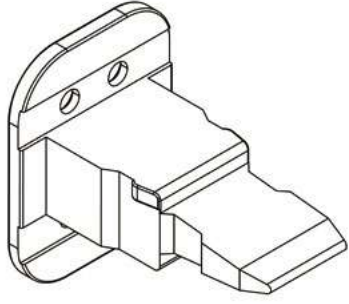
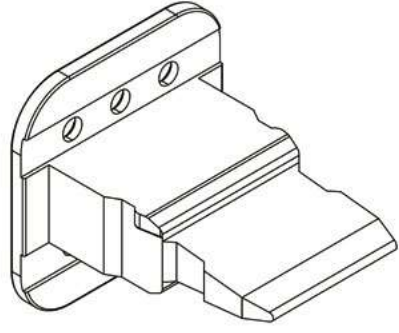
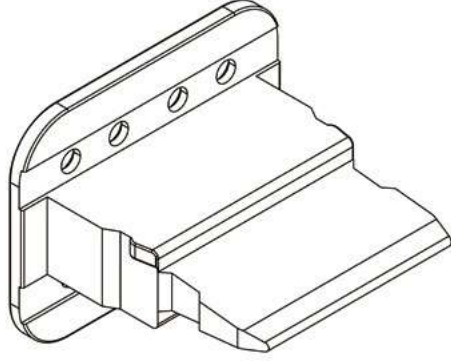
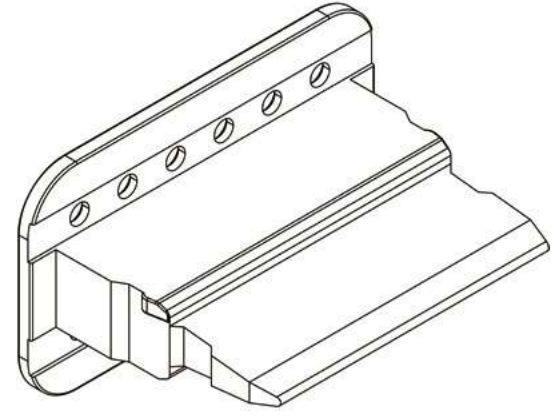
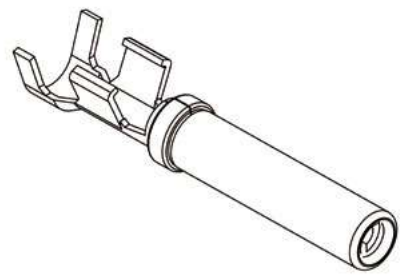
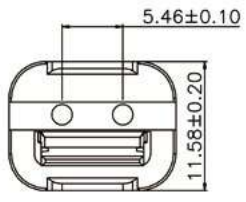
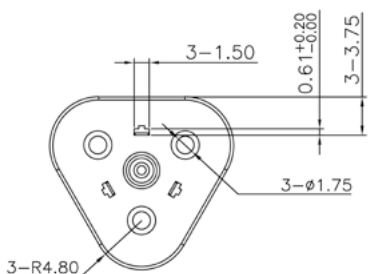
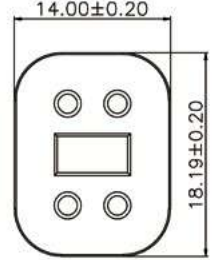
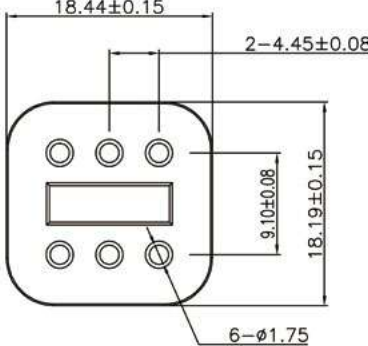
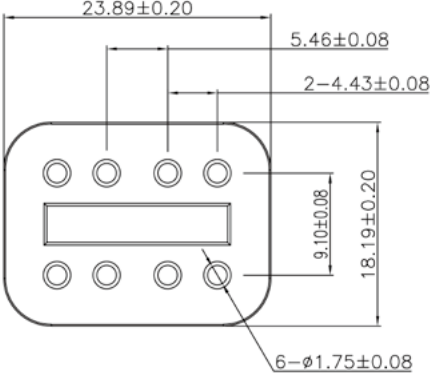
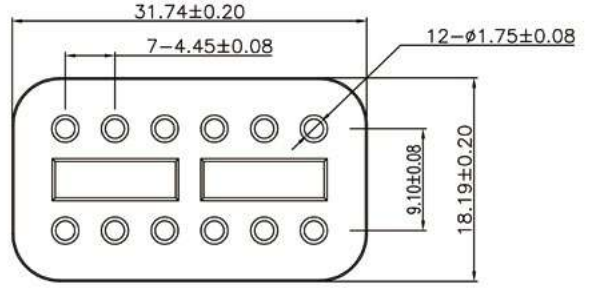
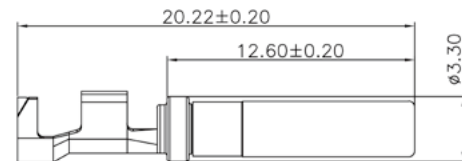
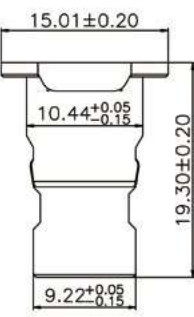
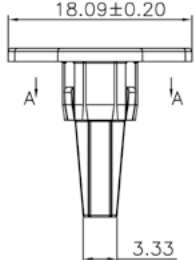
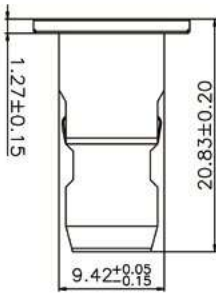
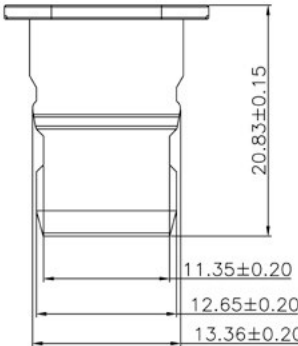
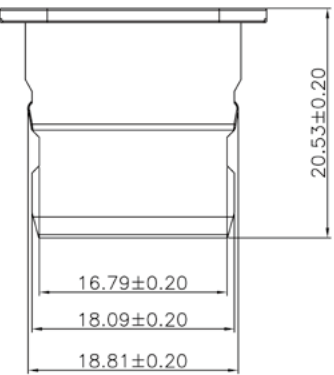
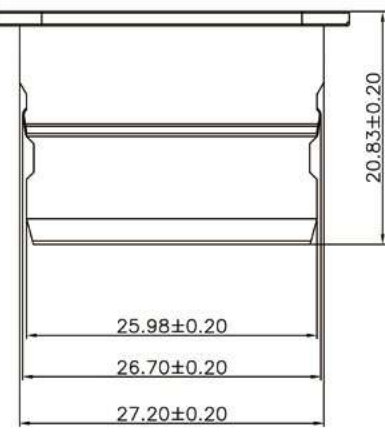
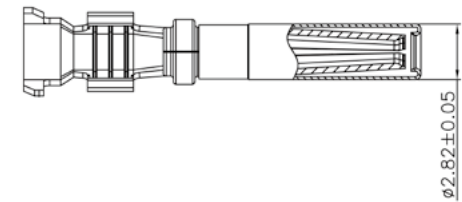
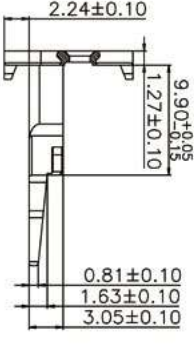
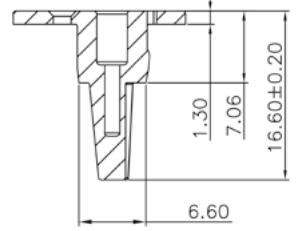
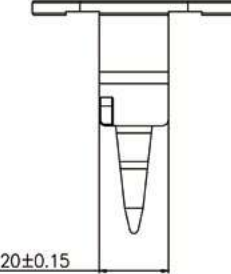
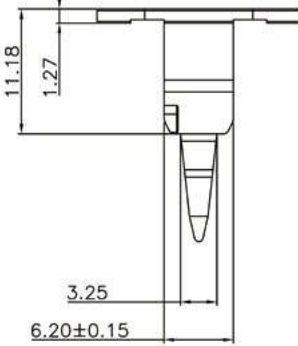
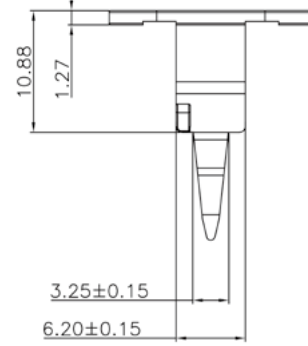
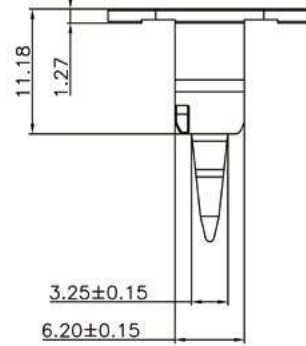
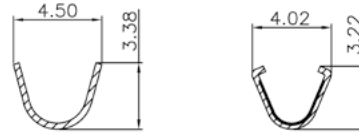
Female Plug Specifications					
					
RAGZ081-02APA	RAGZ091-02APA	RAGZ070-03APA	RAGZ060-03APA	RAGZ121-04APA	RAGZ131-04APA
					
					
					

Female Plug Specifications

 RAGZ372-06APA	 RAGZ342-06APA	 RAGZ382-08APA	 RAGZ352-08APA	 RAGZ392-12APA	 RAGZ362-12APA
					
					
					

Female Plug Wedge Specifications

Female Terminal Specifications

RAGZ071-02AAL	RAGZ050-03AAL	RAGZ111-04AAL	RAGZ292-06AAL	RAGZ312-08AAL	RAGZ332-12AAL	RARZ1C4-0101AB
						
						
						
						

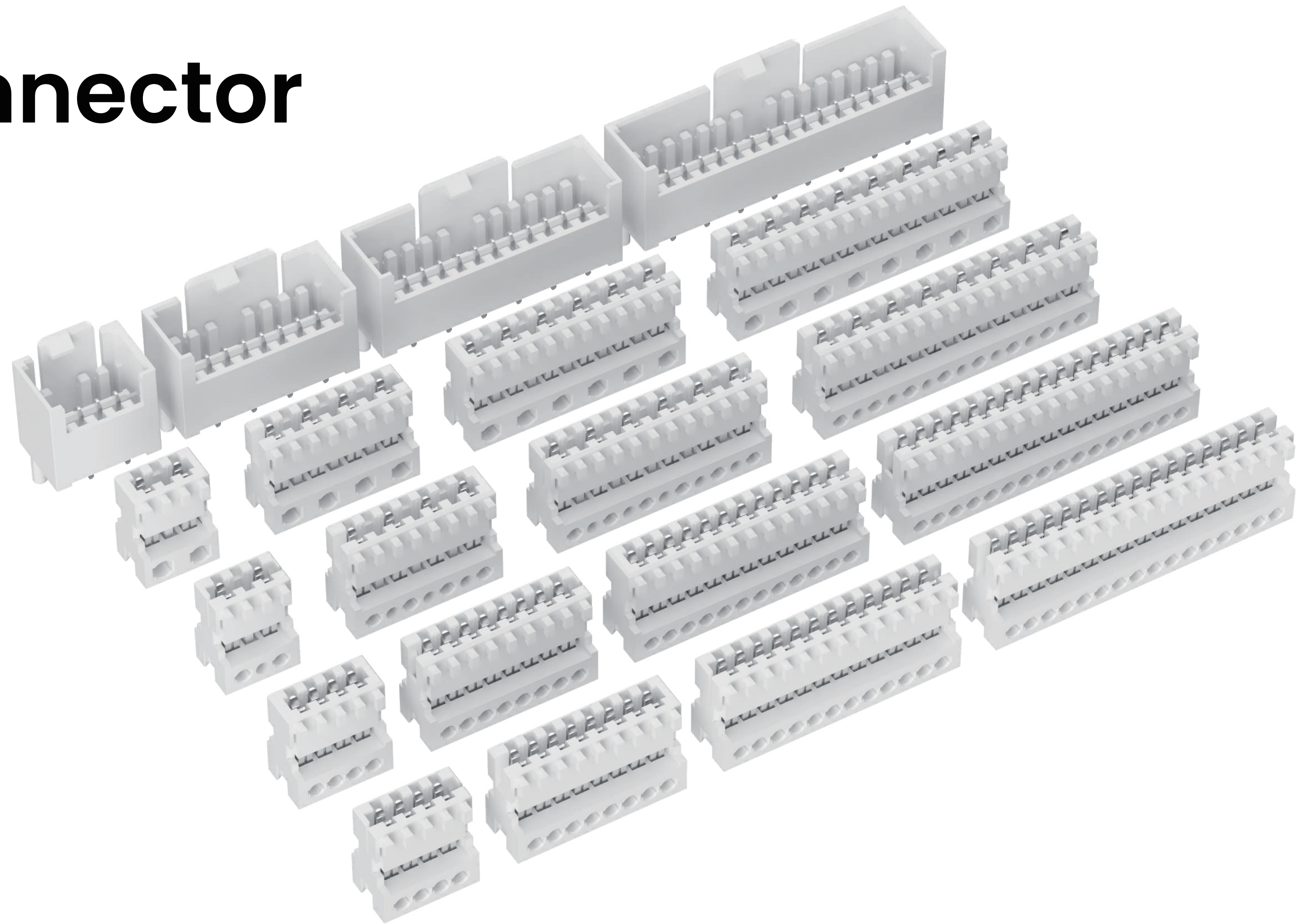
RASTLINK Connector

Pitch: 2.5mm

- RCSGA106 Series
- RCSGA107 Series
- RCSGA109 Series

Pitch: 5.0mm

- RCSGA110 Series
- RCSGA111 Series



[RAST] Introduction

[RAST] is an abbreviation derived from the German term "Raster Anschluss Steck Technik," which means "grid connection plug-in technology." It is a standardized electrical interconnection component designed for modular devices, commonly used in home appliances, industrial control systems, and automotive electronics.

The RAST model name is followed by a number that represents the pin pitch. For example, RAST 2.5 indicates a product with a 2.5mm pitch. The naming convention is as follows:

RAST 2.5 - Raster Anschluss Steck Technik 2.5mm



Basic Dimension Standards

Encoding Description

Product Encoding Description:

XXRGA XXX - XX XX AX XX X X A B - XXX - TXX
 ① ② ③ ④ ⑤ ⑥ ⑦ ⑧ ⑨ ⑩ ⑪ ⑫

- ① : CSRGA=Female socket/wire end; GPRGA=Male socket/board end
- ② : Serial number
- ③ : Pin count
- ④ : Plating 97=Tin 100-200µ"...
- ⑤ : Positioning and Locking variations: AA/AB/AC/AD/AE/AF/AG/AH
- ⑥ : Keying variations: 00/12/9A...
- ⑦ : Plastic material: A=PBT; E=PA66
- ⑧ : Plastic color: 1=Black; 4=Natural color...
- ⑨ : Contact material: A=Phosphor bronze; B=Brass
- ⑩ : Tray packaging
- ⑪ : PXX=Pin variations: P00/P01/PA...; KX=Latch position variations: K0/K1/KA...
- ⑫ : Polarisation variations: T00/T01/TA...

Application Scenarios

Home Appliances: Washing Machines, Dishwashers, Treadmills, Vacuum Cleaners

Automotive Equipment: Car Audio Systems, Headlights, Steering Switches, Seat Switches, Electric Steering Systems, Visual Parking Systems

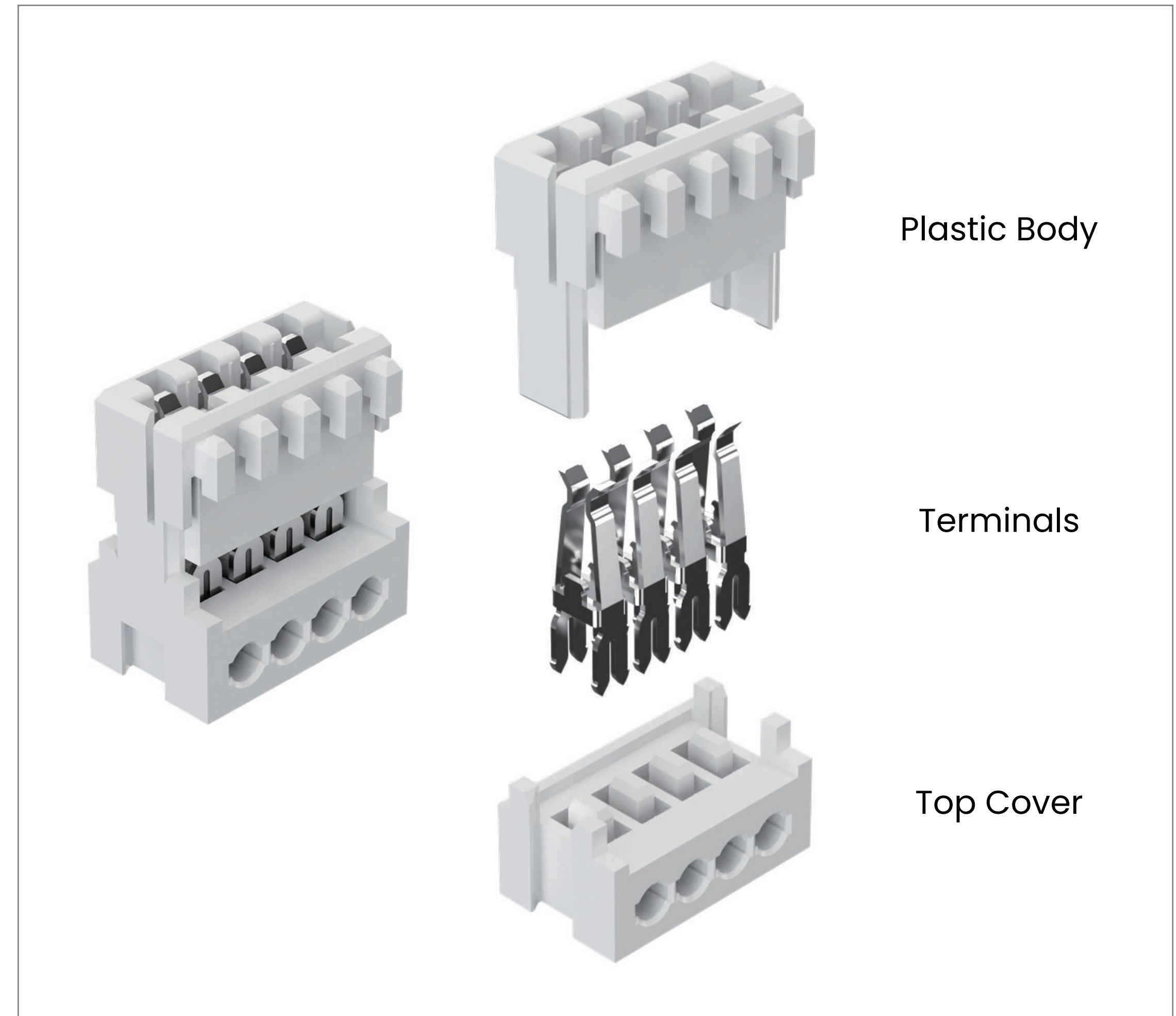
Office Equipment: Printers, Scanners, Fax Machines, Copiers

Computer Products: Desktop Computers, Personal Computers, Tablets, Servers

Financial Equipment: ATMs, Cash Registers



Product Structure



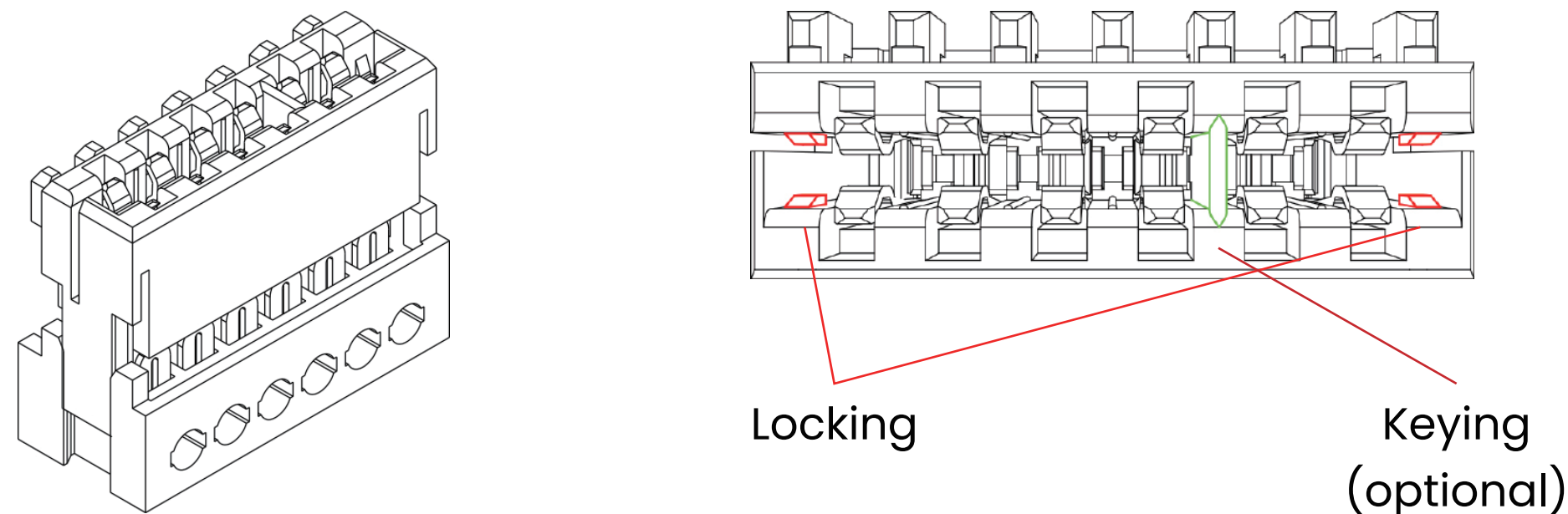
Diverse Product Configurations

RASTLINK Connectors offer various optional specifications, including 'Locking', 'Keying', and 'Positioning', which can be customized according to requirements.

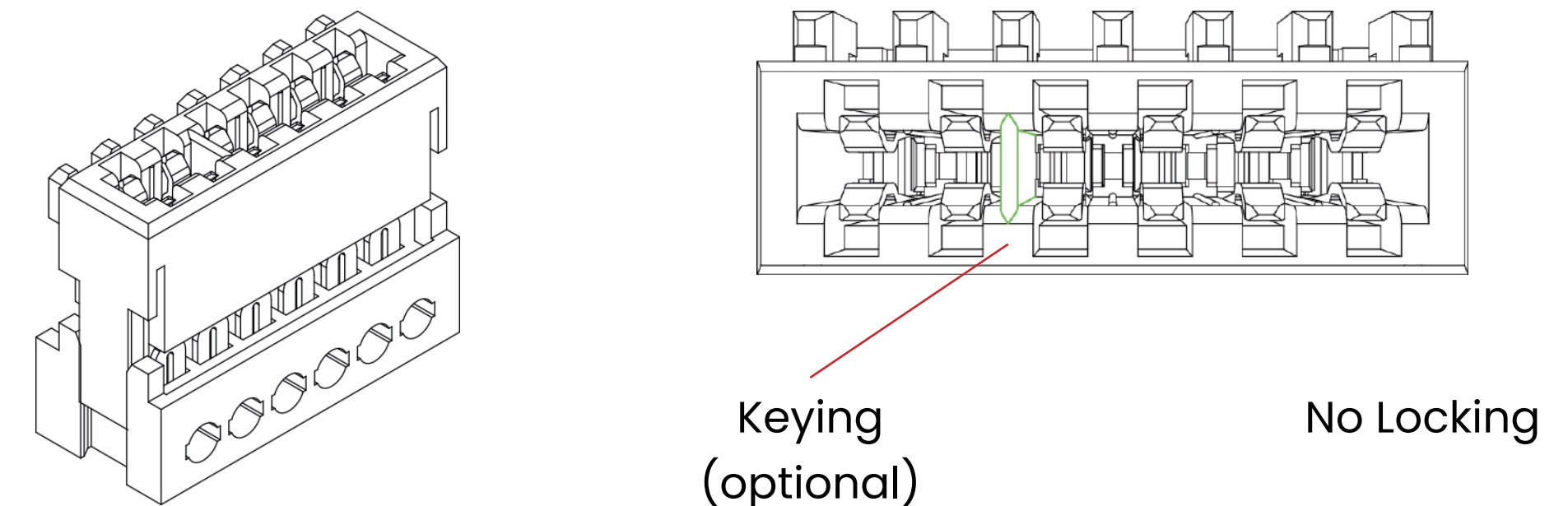
Locking: Effectively locks after assembly to prevent disconnection.

Keying and Positioning: Features foolproof design to ensure precise alignment during assembly, avoiding installation errors.

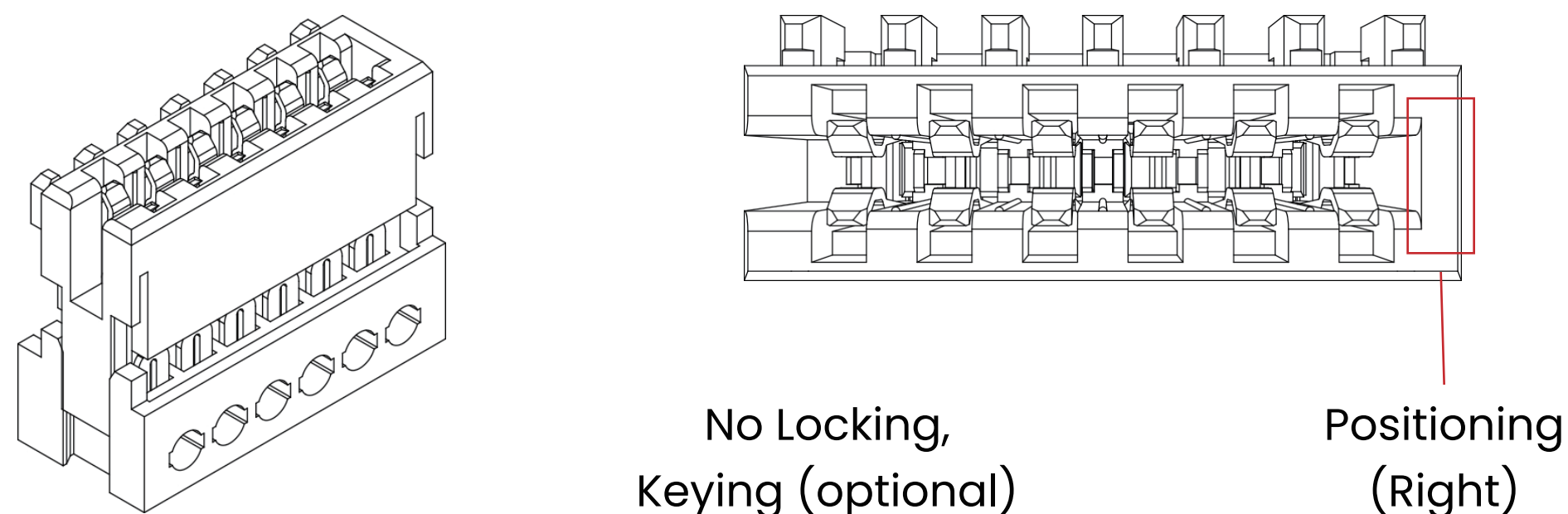
Configuration 1: Locking, Keying (optional)



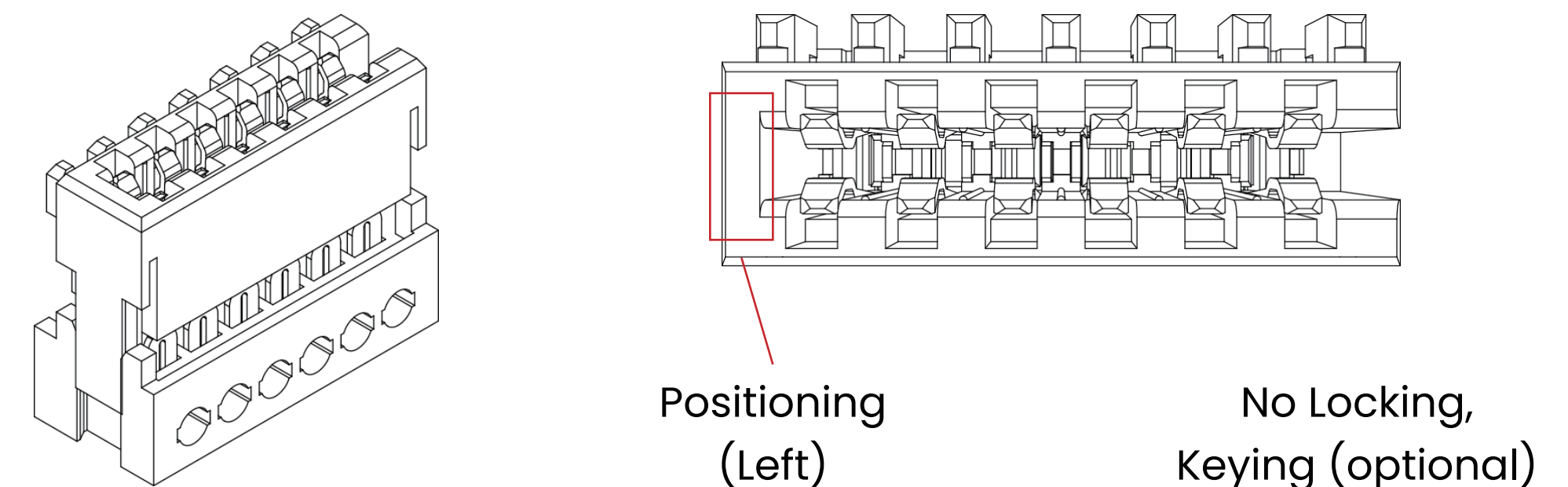
Configuration 2: No Locking, Keying (optional)



Configuration 3: Positioning (Right), No Locking, Keying (optional)

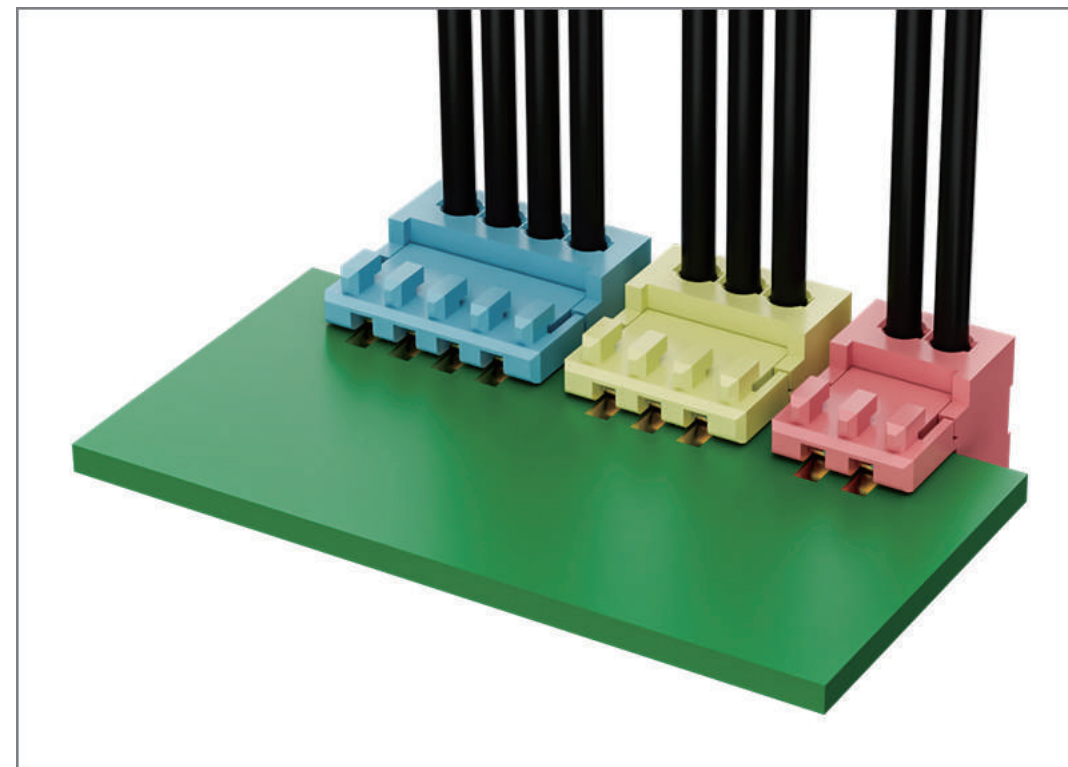
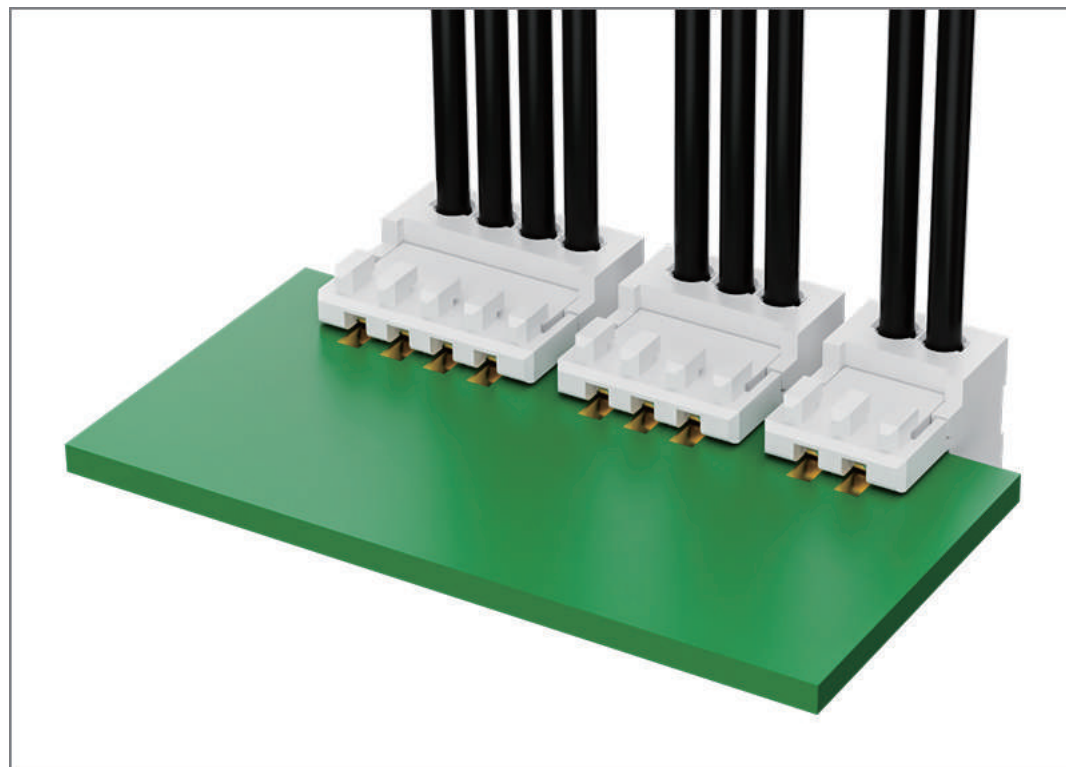


Configuration 4: Positioning (Left), No Locking, Keying (optional)



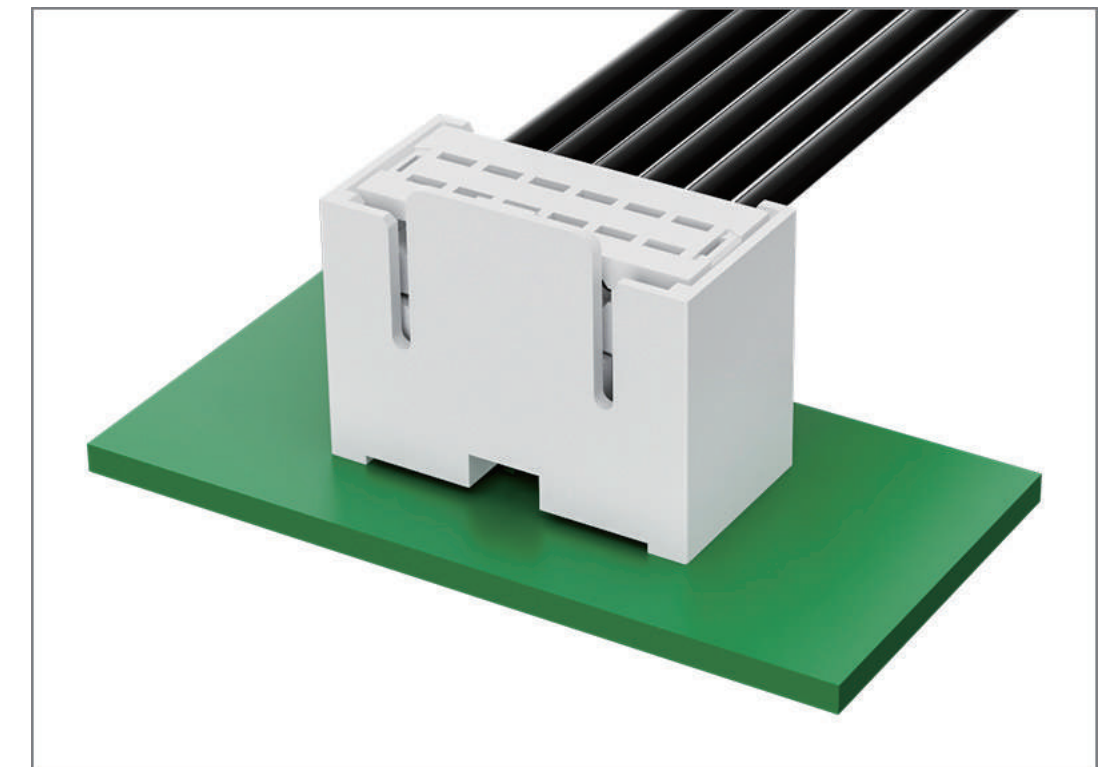
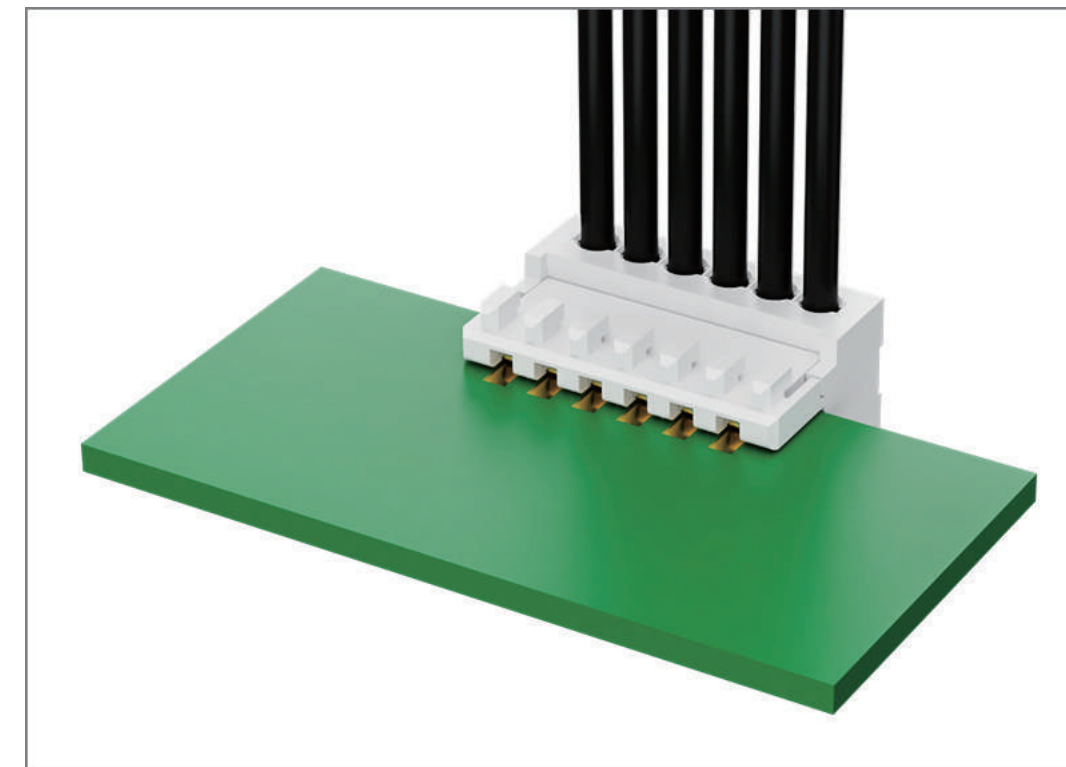
Multiple Color Codes for Easy Visual Identification

Available in multiple color options, these connectors allow staff to quickly confirm during operations and reduce installation errors.



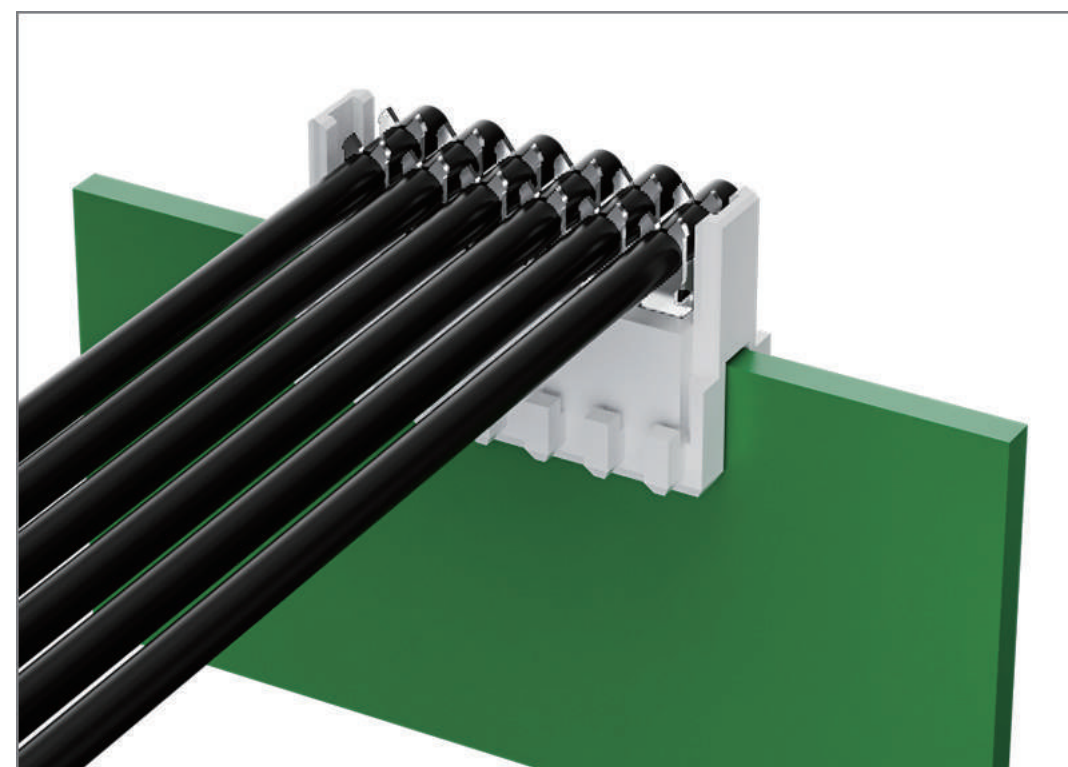
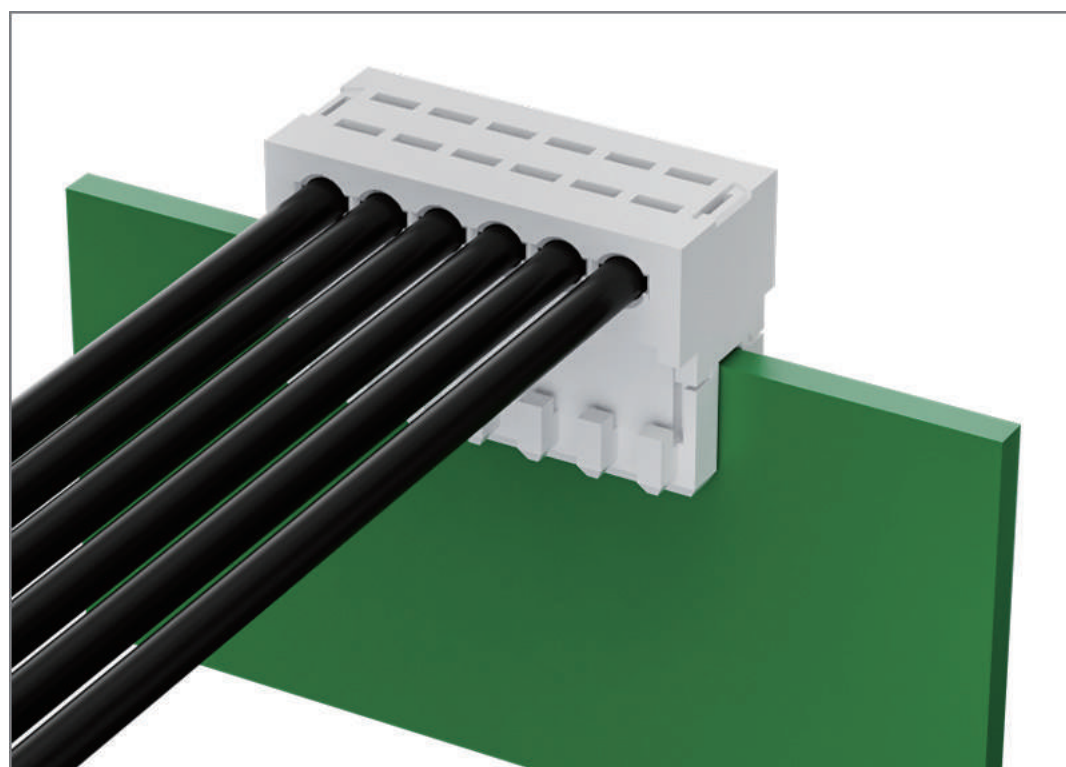
Powerful Interface Compatibility

Can directly or indirectly connect to PCBs without connectors, simplifying wiring in tight spaces and preventing disconnection with a locking mechanism.



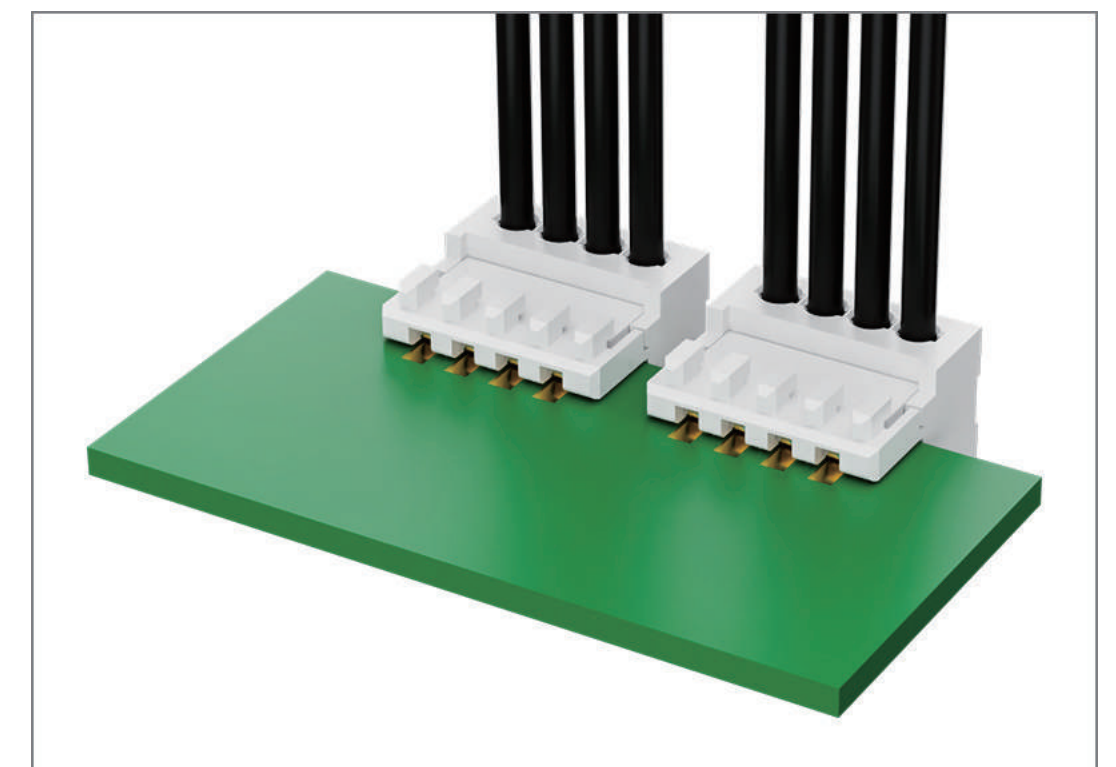
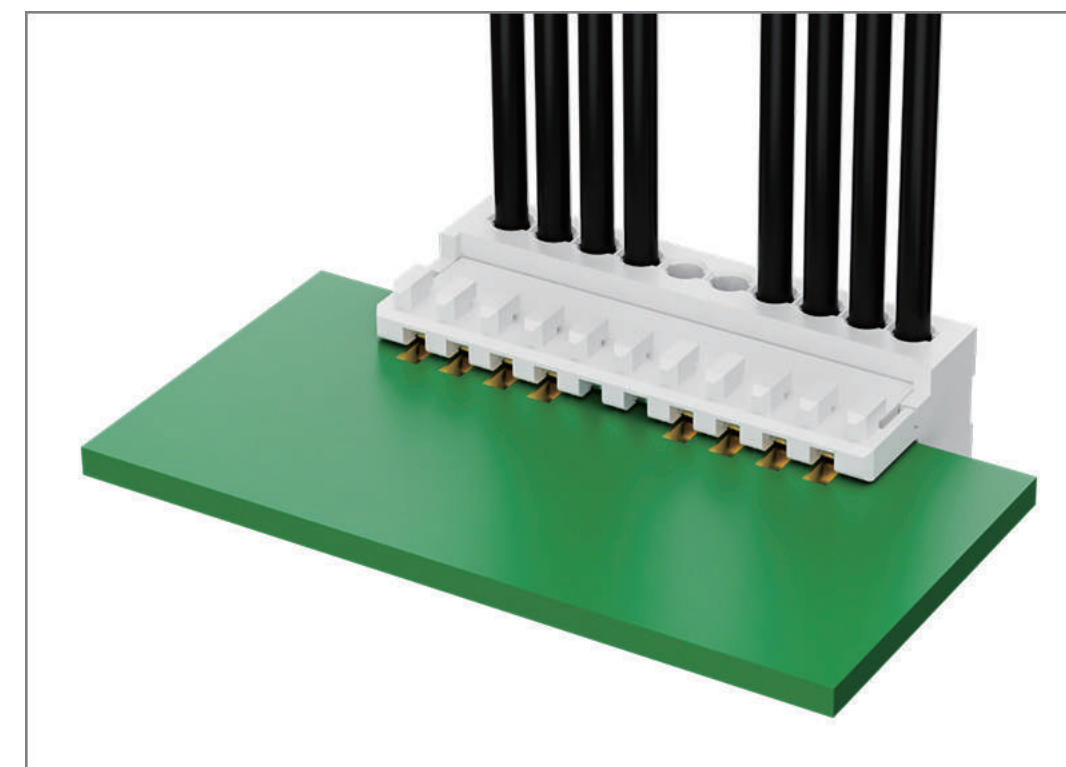
IDC Piercing Connection Technology

During IDC crimping, the insulation of the wire is pierced, ensuring a stable electrical connection and reliable signal transmission.



Simplified Assembly and Cost Reduction

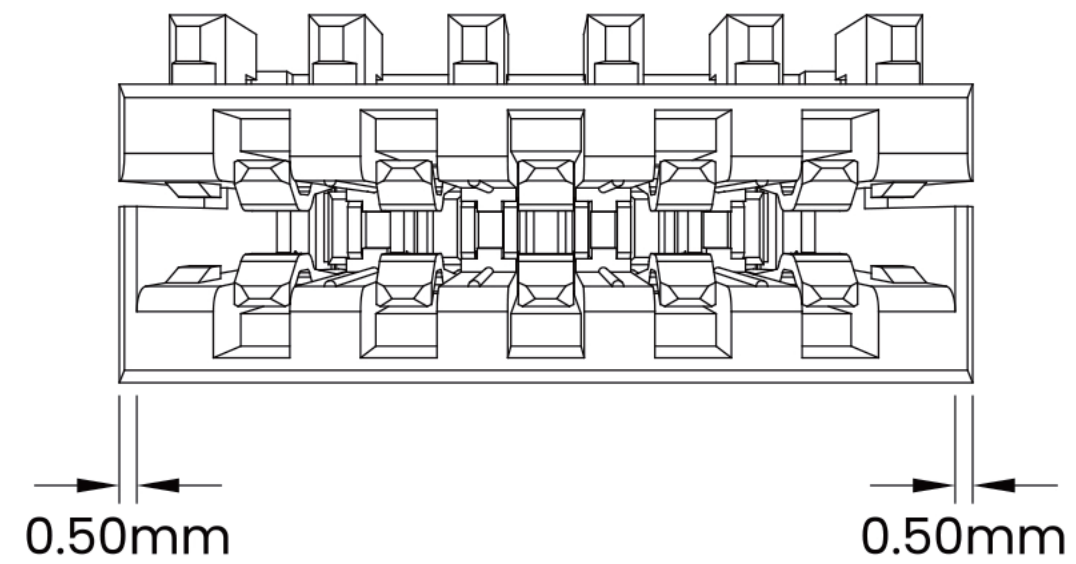
Using a single multi-position connector reduces the number of connectors needed, saving wiring space and lowering production costs.



Plastic side and clip variations

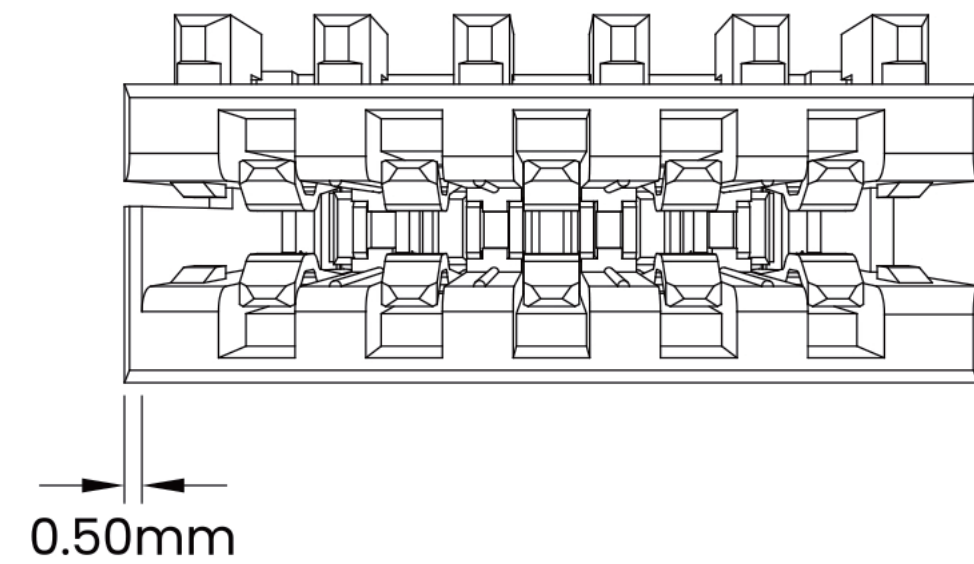
AA

Both left and right side closed
(0.50mm thick), (with clips)



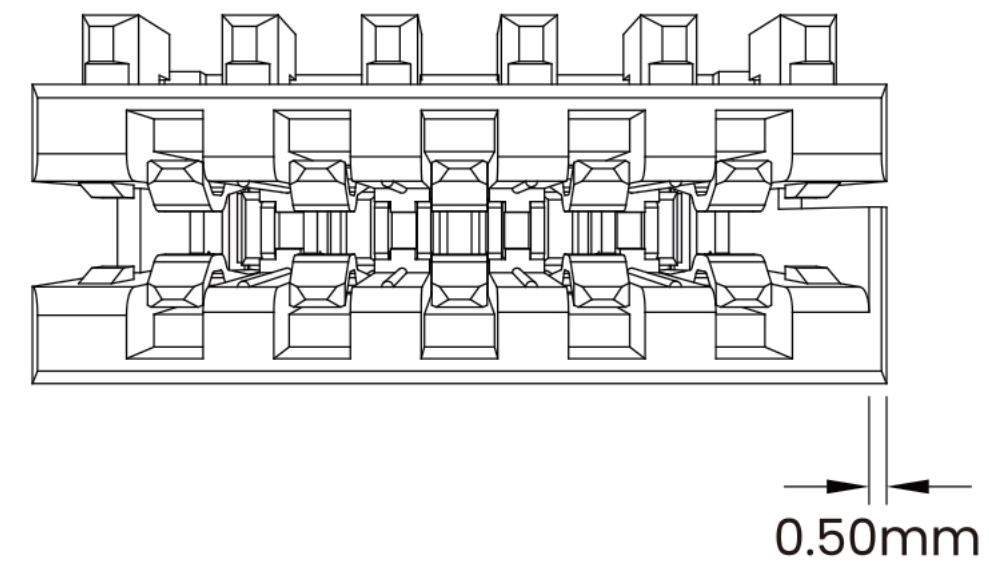
AB

Left side closed (0.50mm thick),
right side open, (with clips)



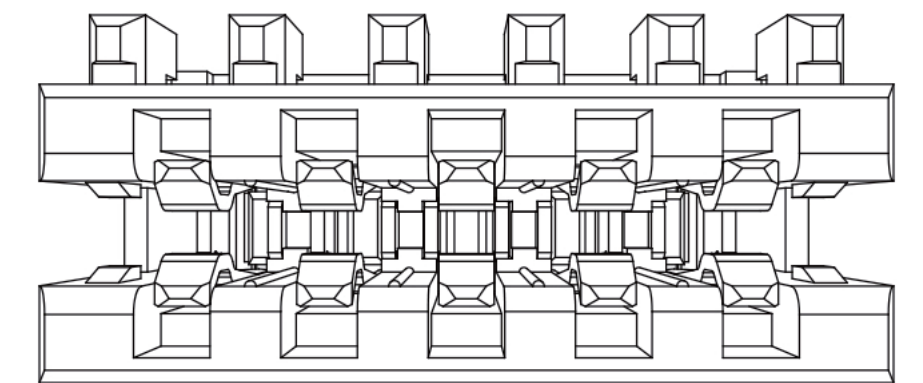
AC

Left side open, right side closed
(0.50mm thick), (with clips)



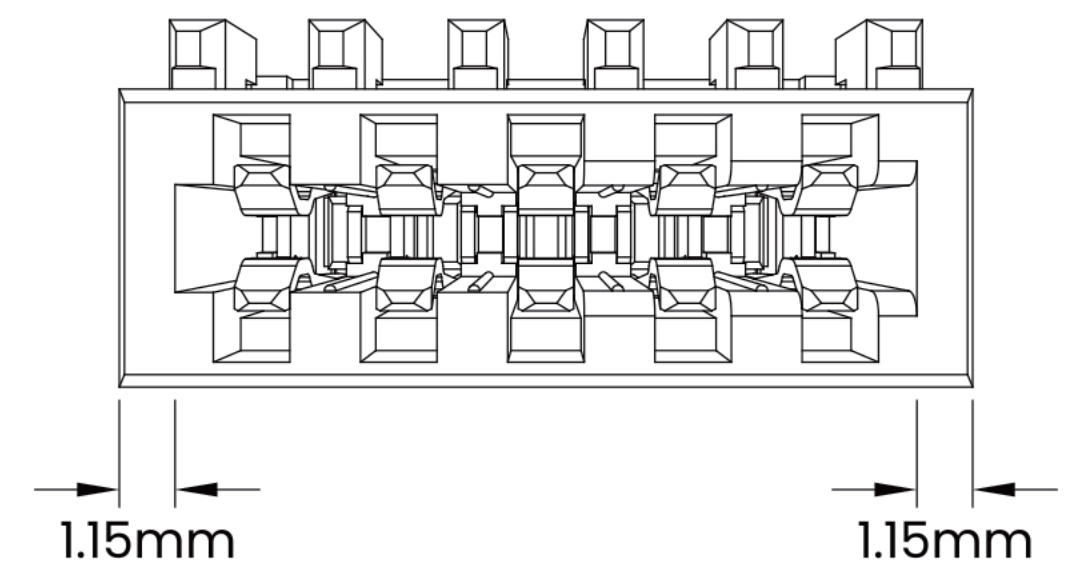
AD

Both left and right side open,
(with clips)



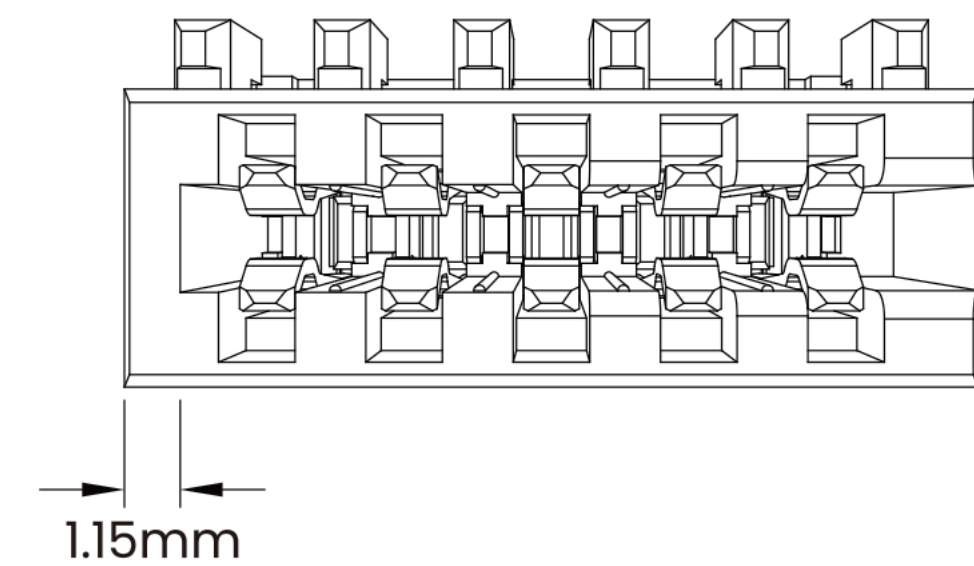
AE

Both left and right side closed
(1.15mm thick), (without clips)



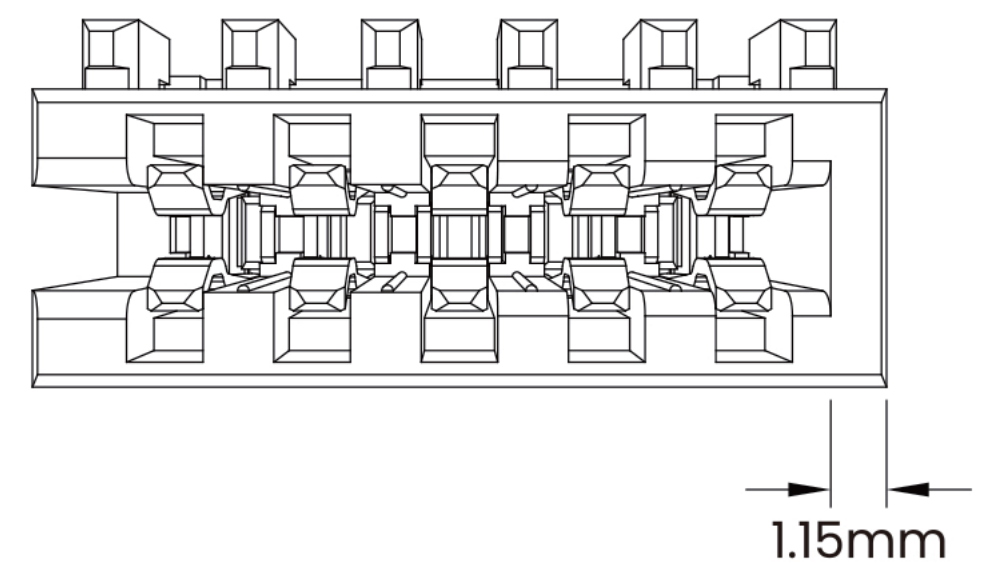
AF

Left side closed (1.15mm thick),
right side open, (without clips)



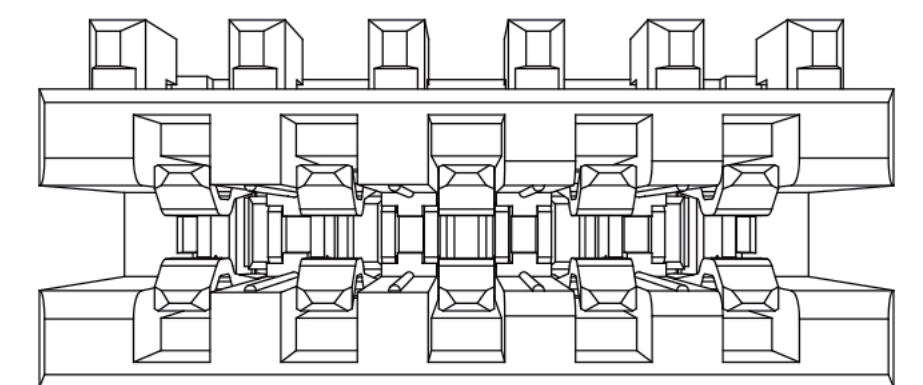
AG

Left side open, right side closed
(1.15mm thick), (without clips)



AH

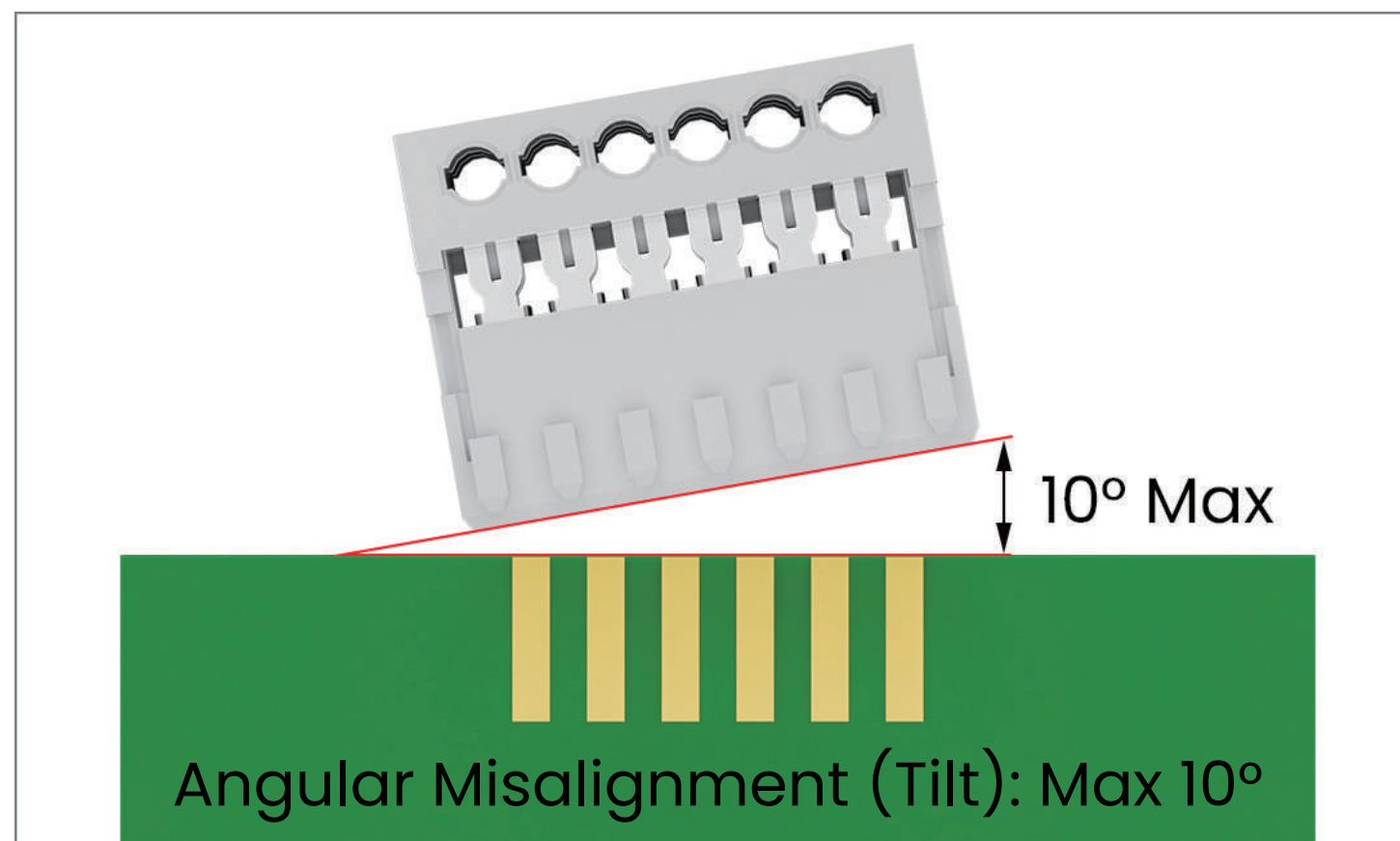
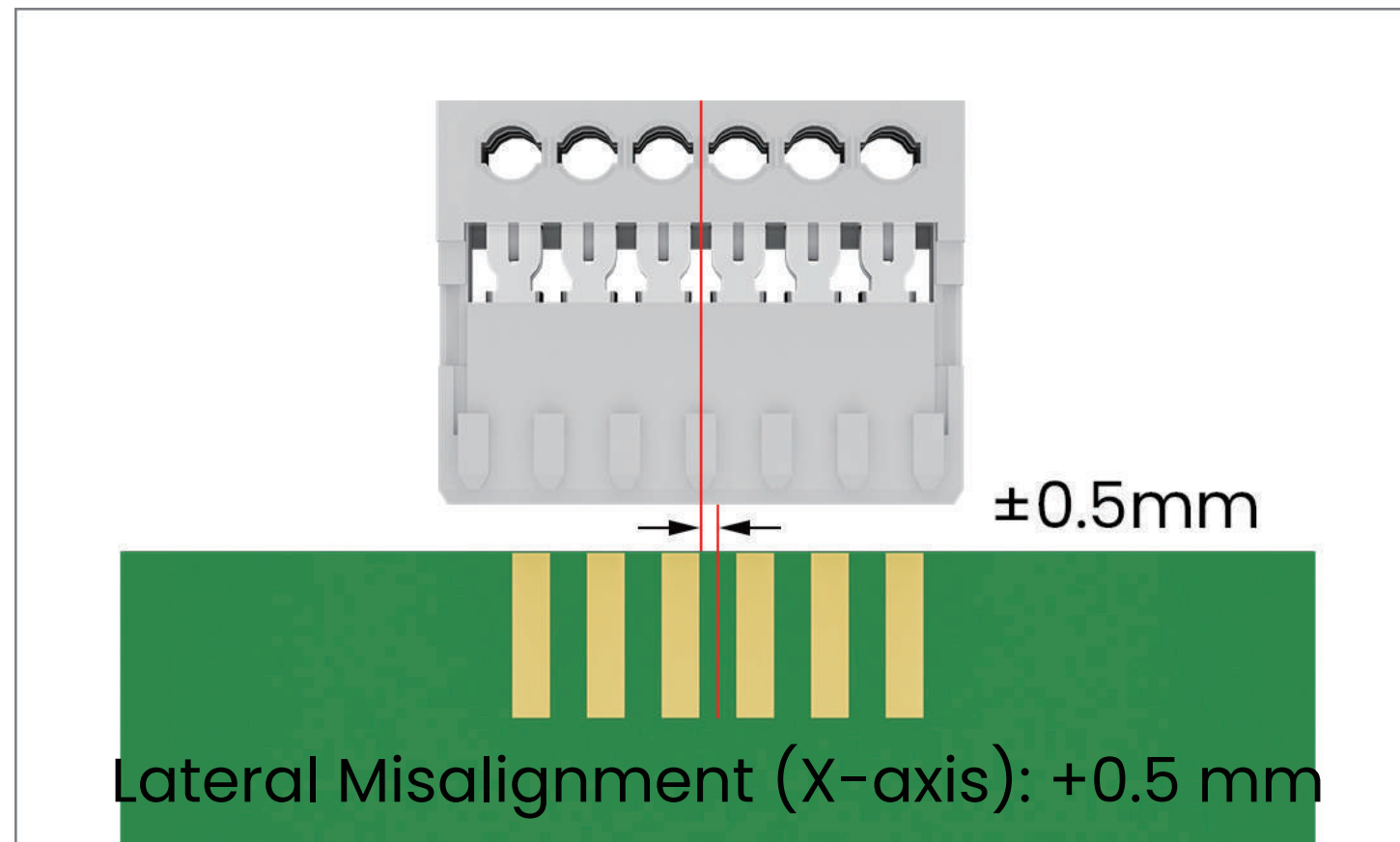
Both left and right side open,
(without clips)



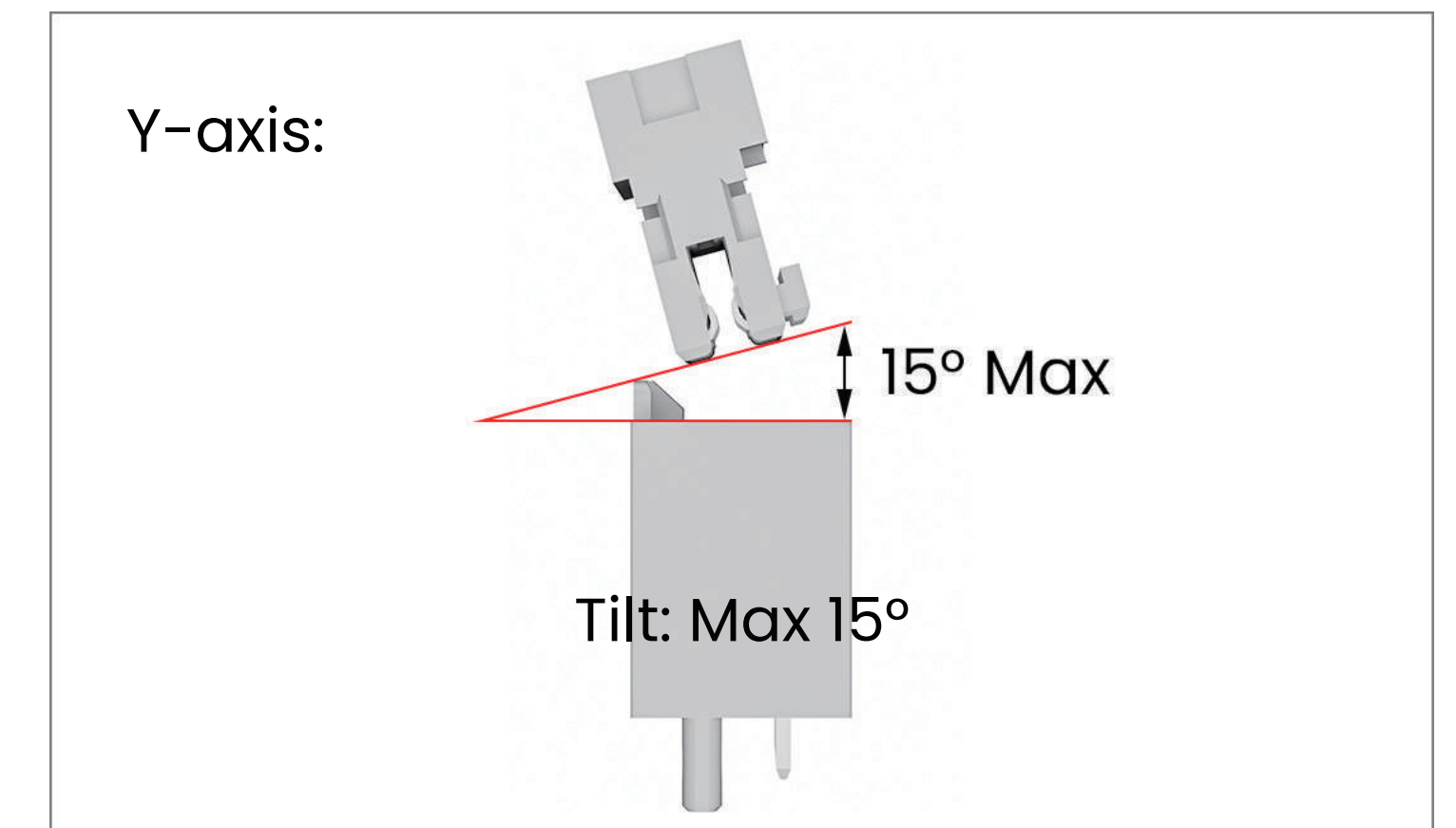
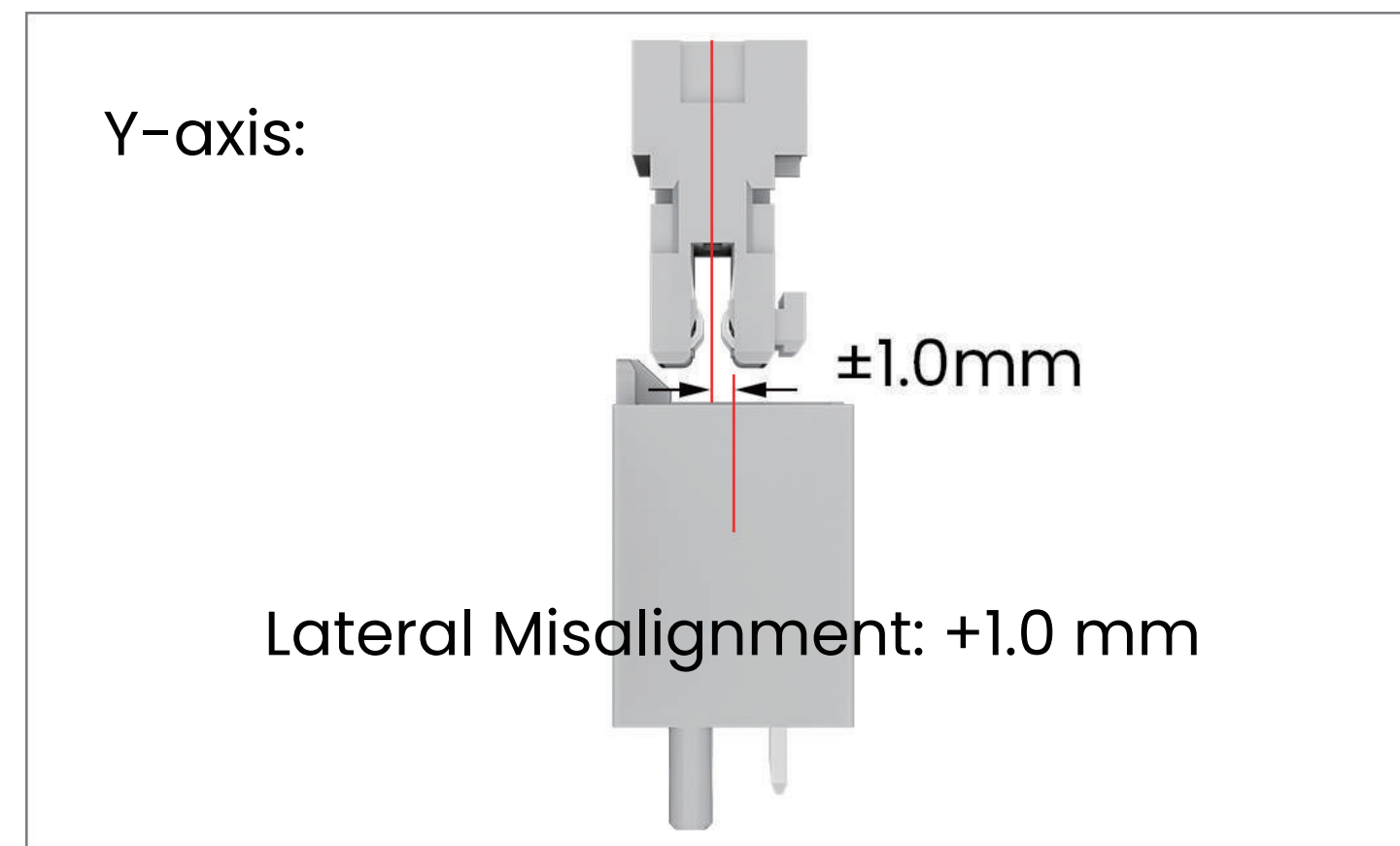
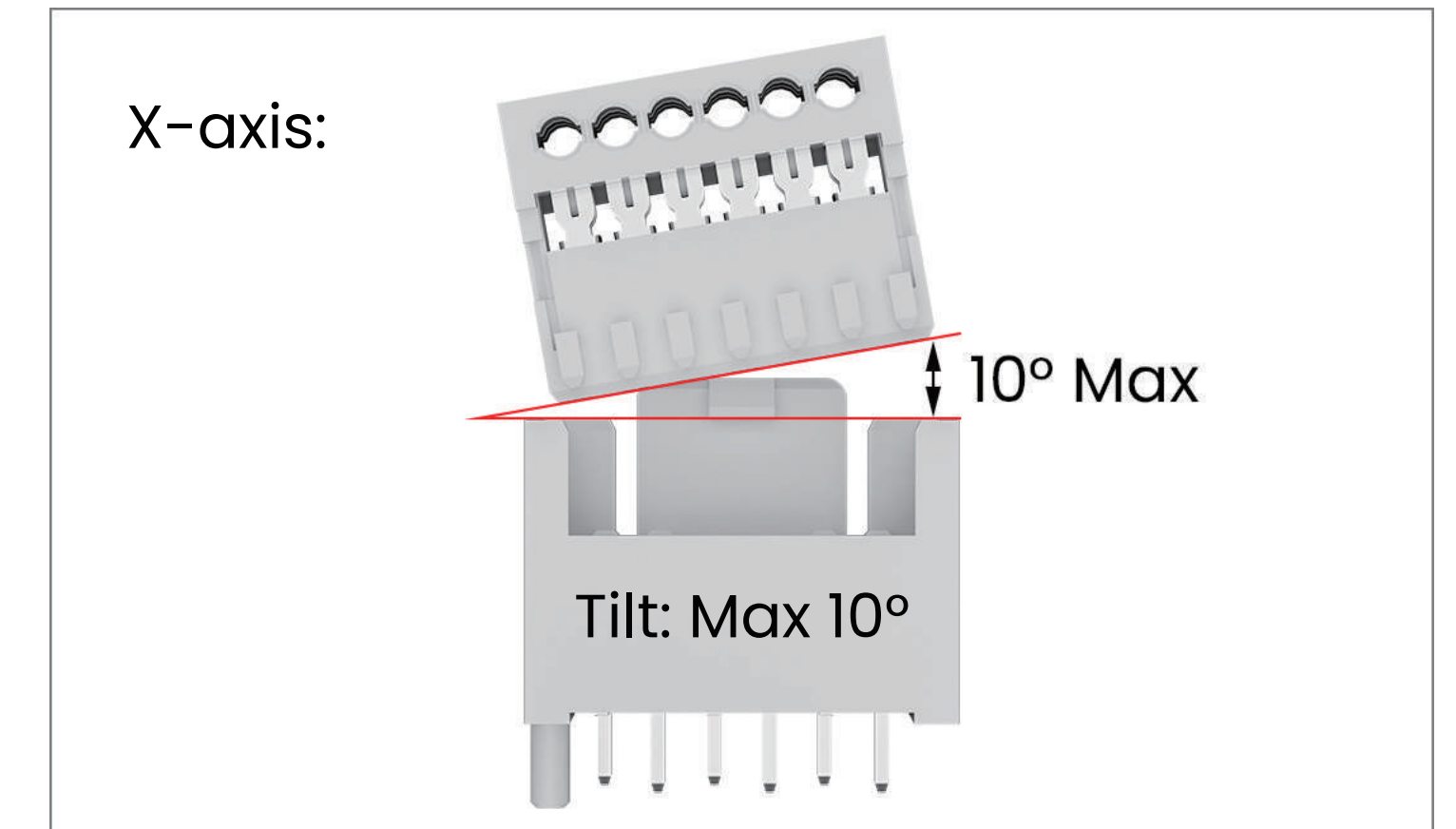
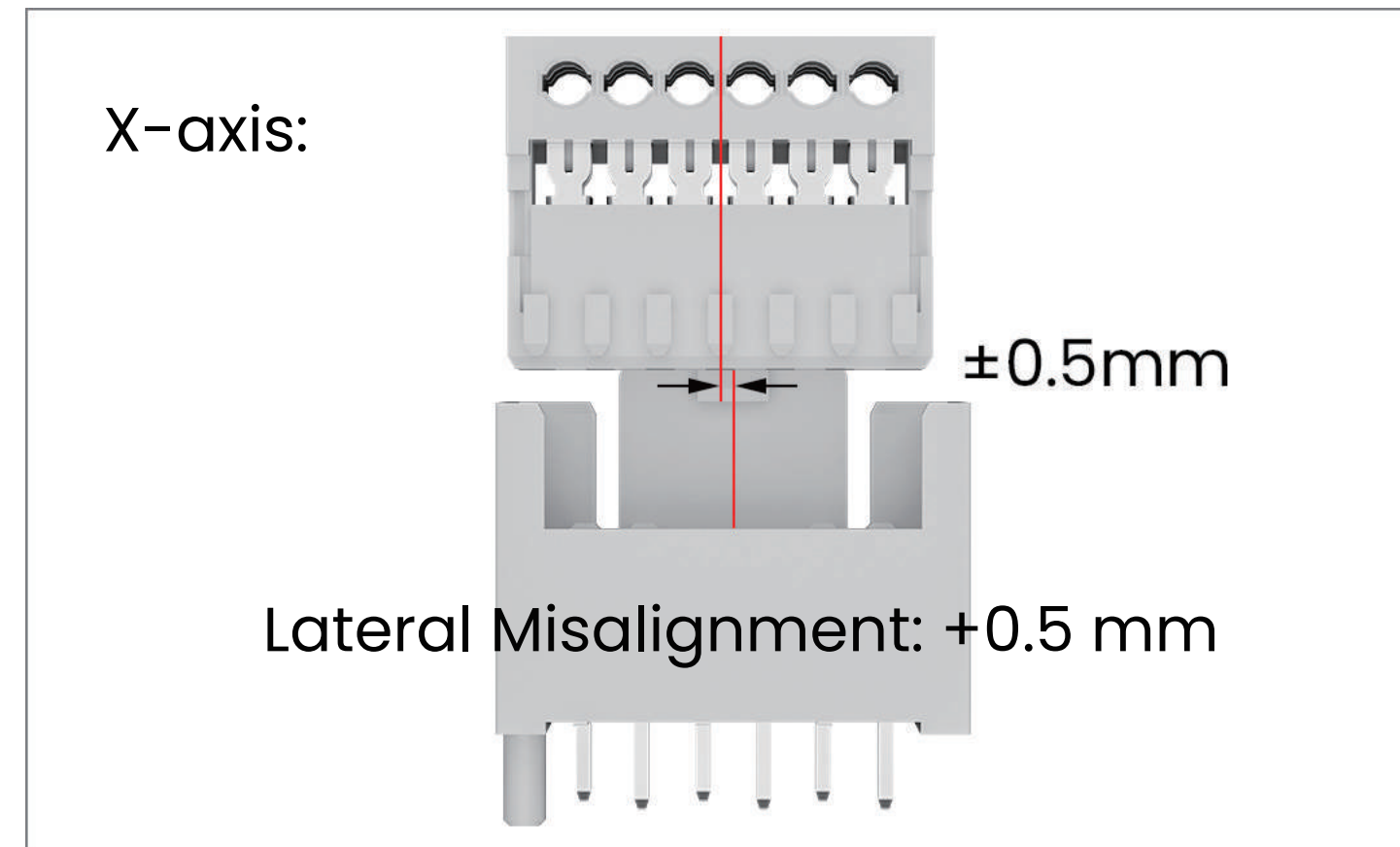
Connector Mating Tolerance Guidelines

During the mating process, connectors may not always align perfectly. To ensure proper functionality, misalignment and tilt must stay within the following tolerances:

1. Mating with PCB:

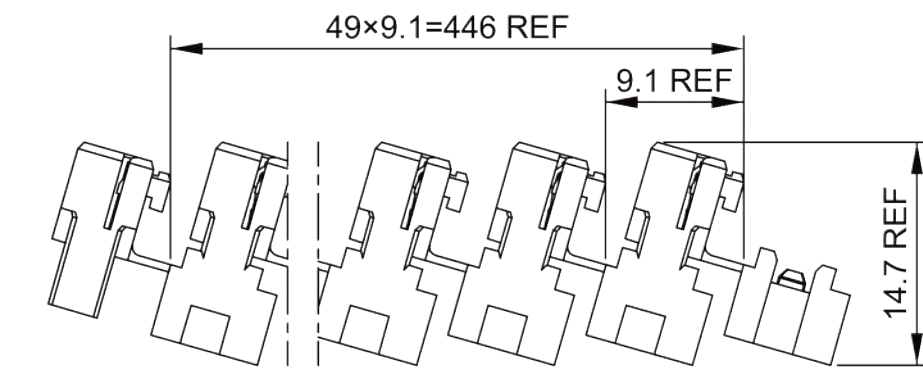
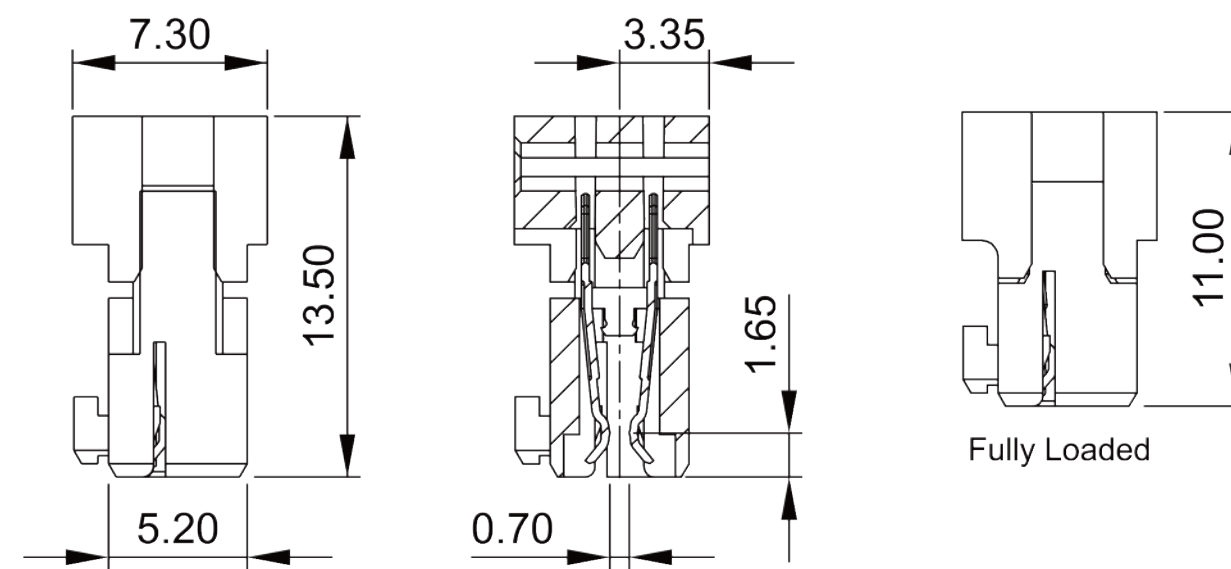
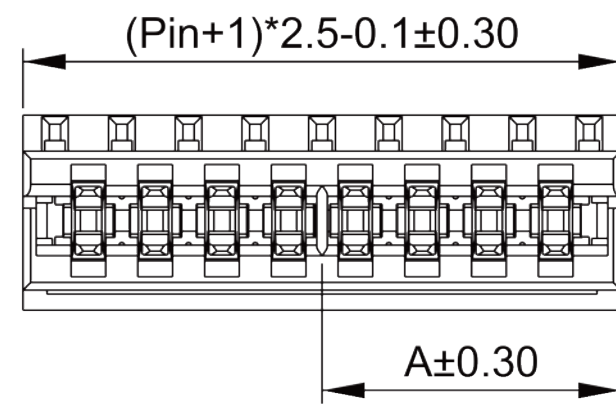
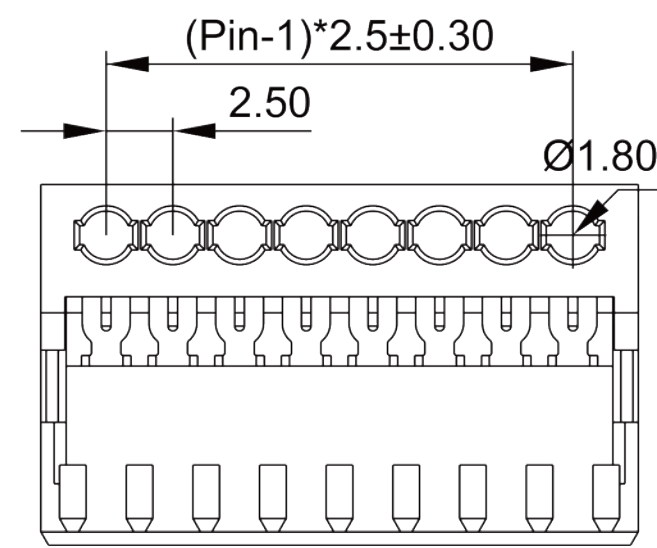


2. Mating with Connector Plug:



Series	RCSGA106	RCSGA107	RCSGA109	RCSGA110	RCSGA111
Pitch	2.50mm		2.50mm	5.00mm	
Number of Pins	2~17Pin	5/7/8Pin	8Pin	2~9Pin	
PCB Thickness	1.50±0.14mm	1.00±0.14mm	1.50±0.14mm	1.50±0.14mm	
Insulation Material	PBT or Nylon		PBT or Nylon	PBT or Nylon	
Contact Material	Phosphor Bronze		Phosphor Bronze	Phosphor Bronze	
Plating	Bottom Nickel, Top Tin Plating (optional)			Bottom Nickel, Top Tin Plating (optional)	
Insertion Force	≤ 4 N/Pin		≤ 4 N/Pin	≤ 4 N/Pin	
Withdrawal Force	≥ 0.5 N/Pin		≥ 0.5 N/Pin	≥ 0.5 N/Pin	
Mechanical Durability	20 cycles for Tin / 100 cycles for Gold			20 cycles for Tin / 100 cycles for Gold	
Rated Current	4 A/Pin (Temb 60 °C) 2 A/Pin (Temb 100 °C)		4 A/Pin (Temb 60 °C) 2 A/Pin (Temb 100 °C)	4A/Pin (Temb 60 °C) 2A/Pin (Temb 100 °C)	6A
Rated Voltage	32V AC/DC		32V AC/DC	32V AC/DC	250V AC/DC
Withstand Voltage	500V AC/minute		500V AC/minute	1200V AC/minute	
Contact Resistance	10mΩ		10mΩ	10mΩ	
Insulation Resistance	1000MΩ		1000MΩ	1000MΩ	
Operating Temperature	-40°C ~130°C		-40°C ~130°C	-40°C ~+125°C	-40°C ~+120°C
Applicable Wires	0.22~0.35mm ² , OD≤ø1.70mm (Electronic Wire)		0.12~0.22mm ² , OD≤ø1.40mm (Ribbon cable)	0.35~0.75mm ² , OD≤ø2.40mm (Electronic Wire)	
Standards Compliance	GWT725°C (PBT), GWT750°C (Nylon)				
Certification	UL				

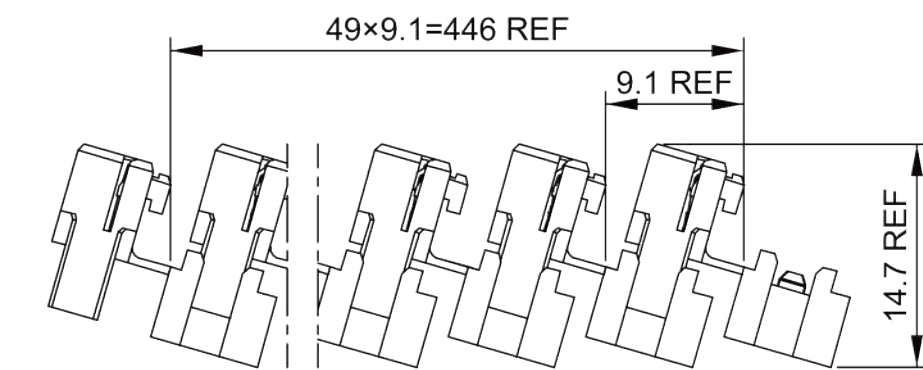
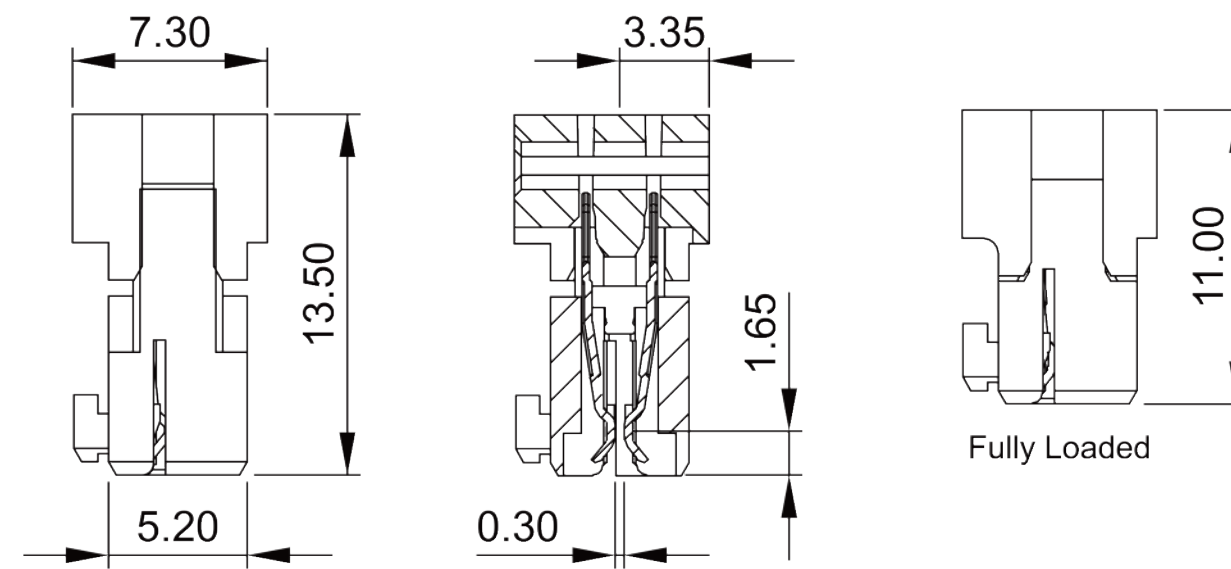
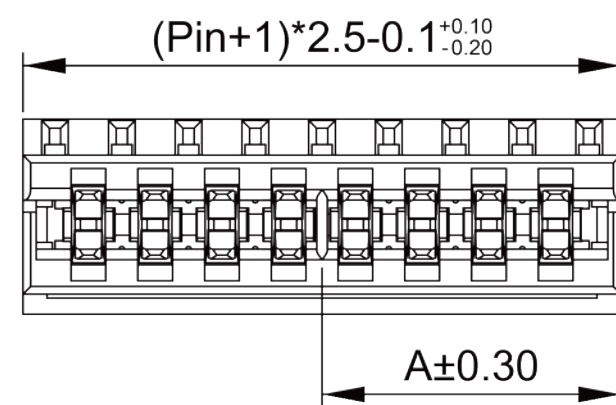
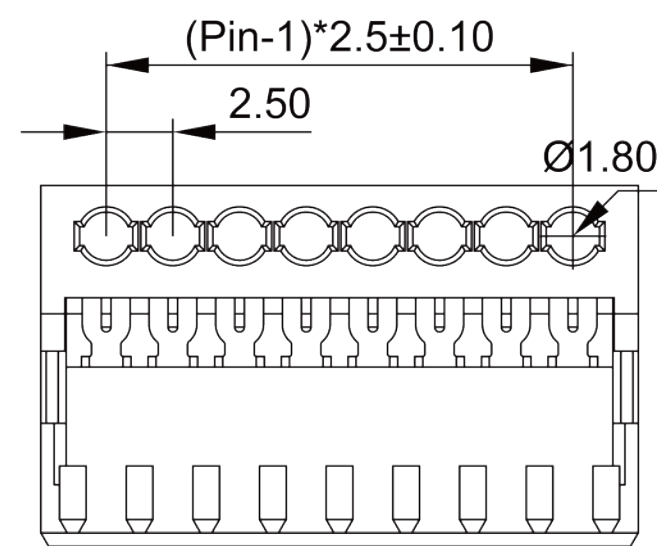
RCSGA106 Series



Shipping Arrangement: 50 sets per strip shipped in carton box

Spacer bar	00	12	23	34	45	56	67	78	89	9A	AB	BC	CD	DE	EF	FG	GH
Dim.A	/	3.7	6.2	8.7	11.2	13.7	16.2	18.7	21.2	23.7	26.2	28.7	31.2	33.7	36.2	38.7	41.2

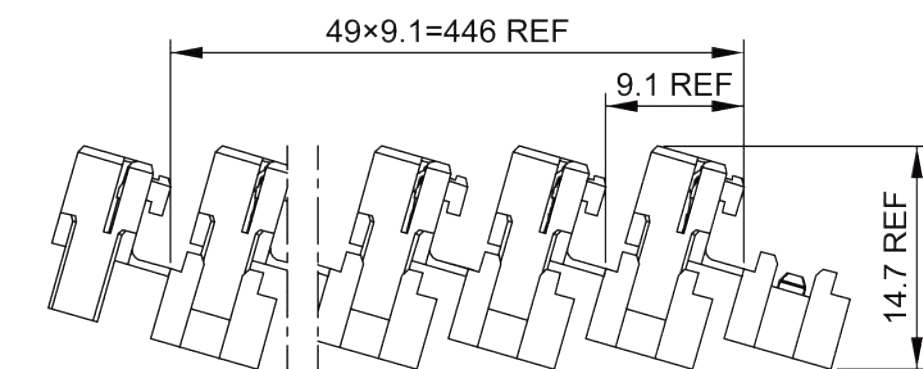
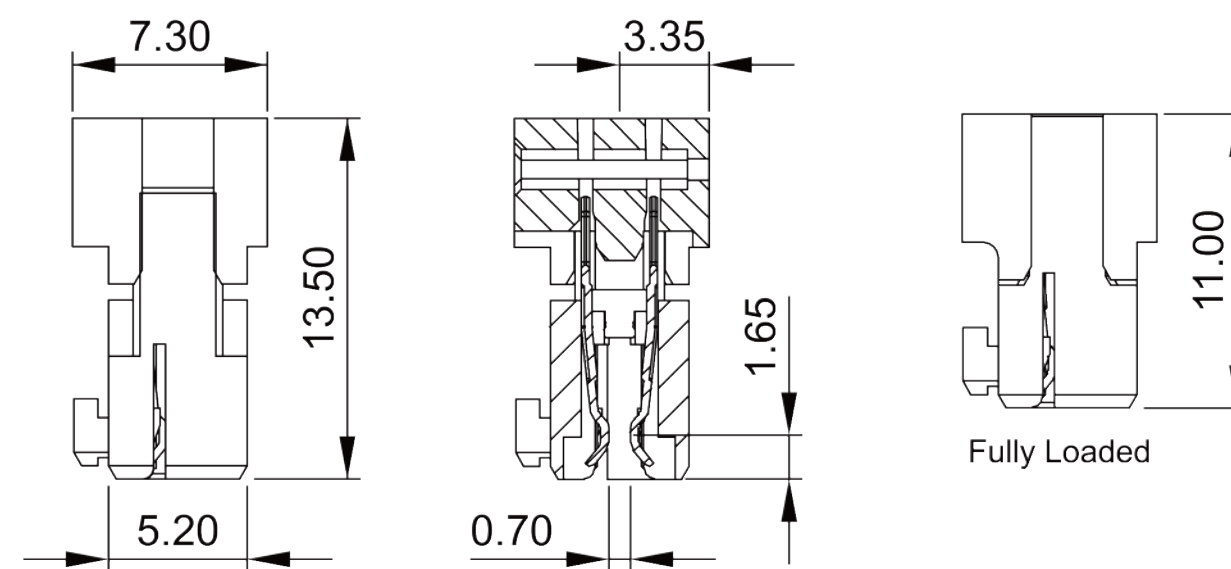
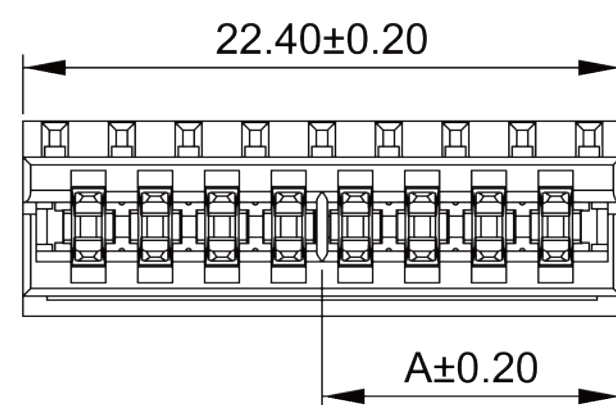
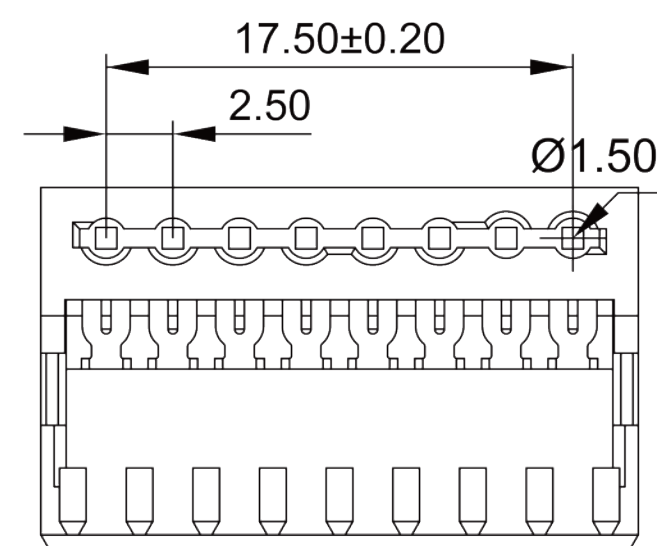
RCSGA107 Series



Shipping Arrangement: 50 sets per strip shipped in carton box

Spacer bar	00	12	23	34	45	56	67	78
Dim.A	/	3.7	6.2	8.7	11.2	13.7	16.2	18.7

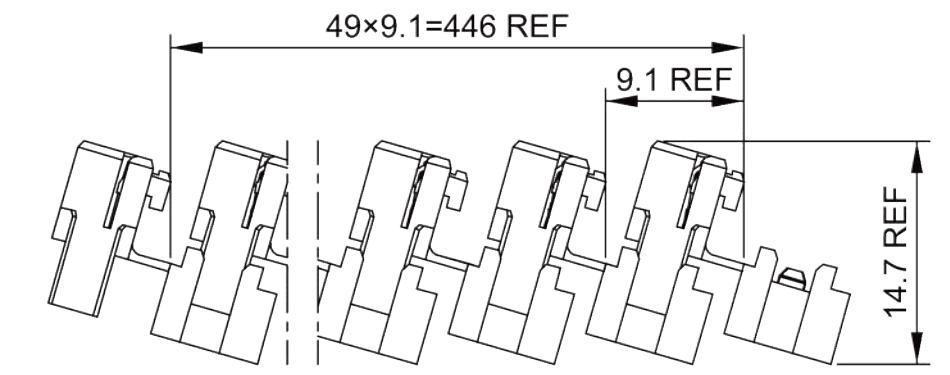
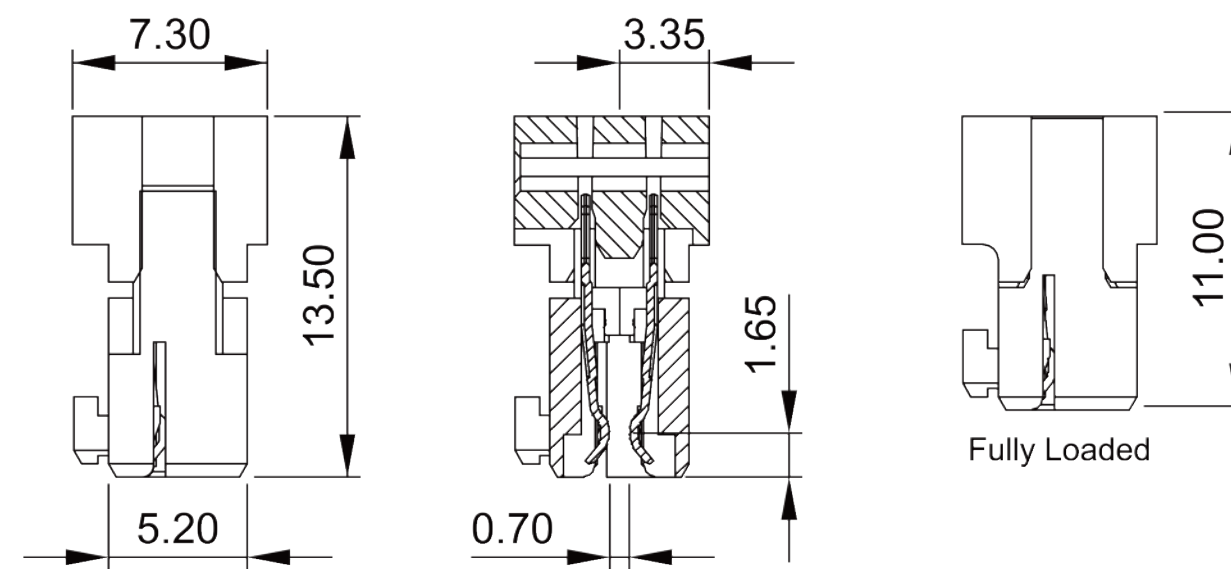
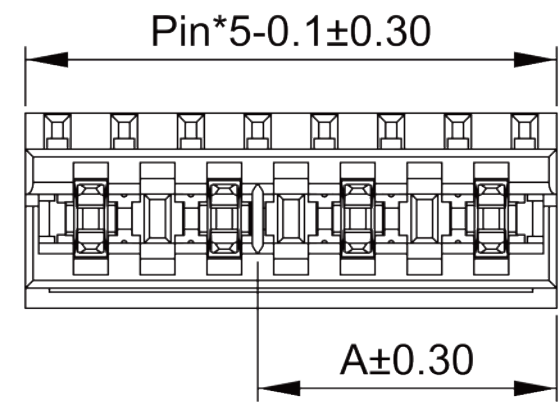
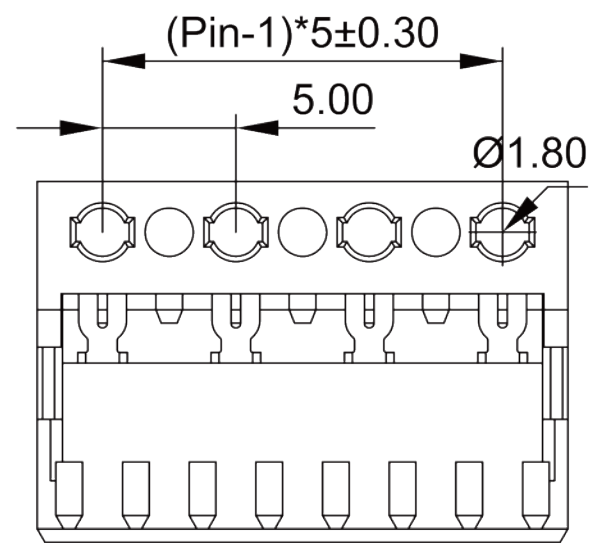
RCSGA109 Series



Shipping Arrangement: 50 sets per strip shipped in carton box

Spacer bar	00	12	23	34	45	56	67	78
Dim.A	/	3.7	6.2	8.7	11.2	13.7	16.2	18.7

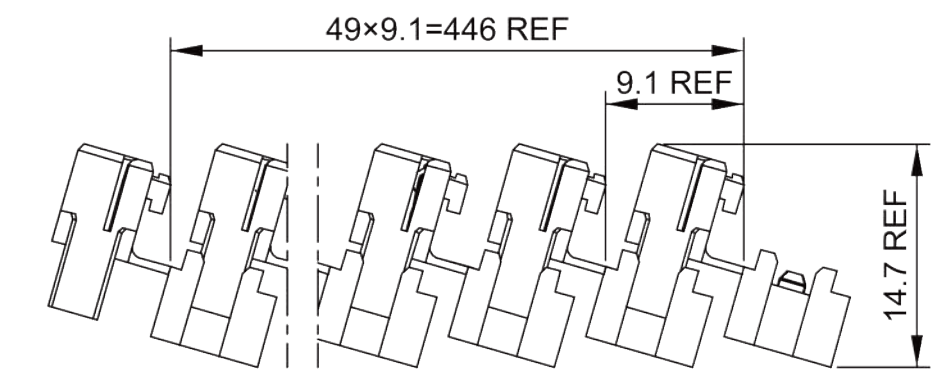
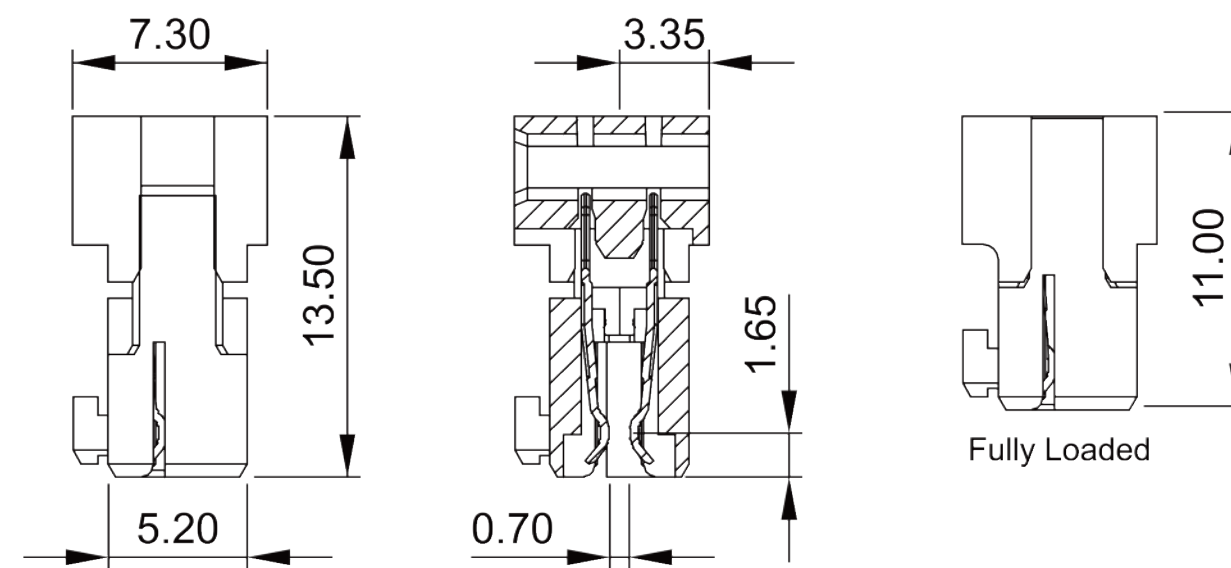
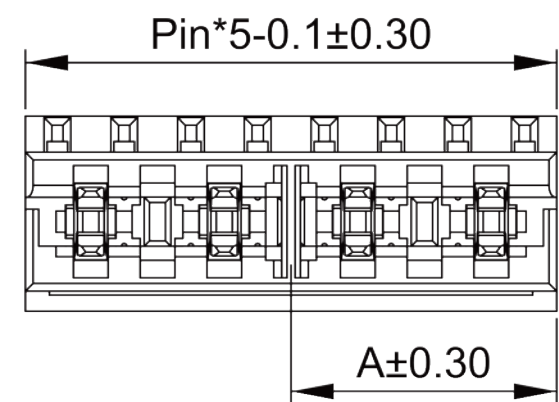
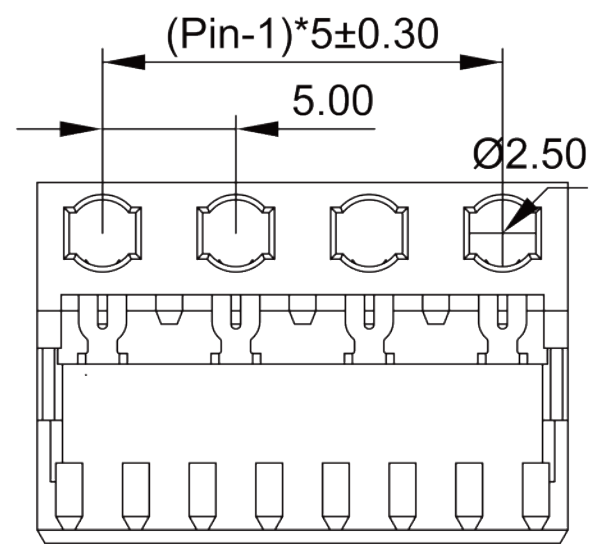
RCSGA110 Series



Shipping Arrangement: 50 sets per strip shipped in carton box

Spacer bar	00	12	23	34	45	56	67	78	89	9A	AB	BC	CD	DE	EF	FG	GH
Dim.A	/	3.7	6.2	8.7	11.2	13.7	16.2	18.7	21.2	23.7	26.2	28.7	31.2	33.7	36.2	38.7	41.2

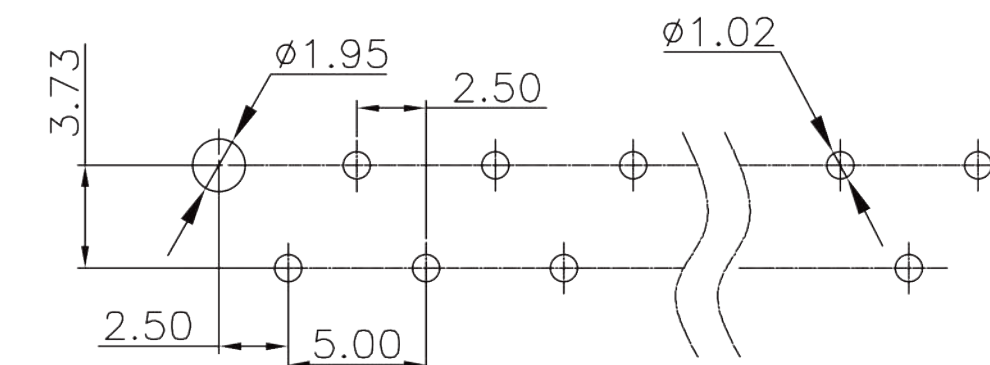
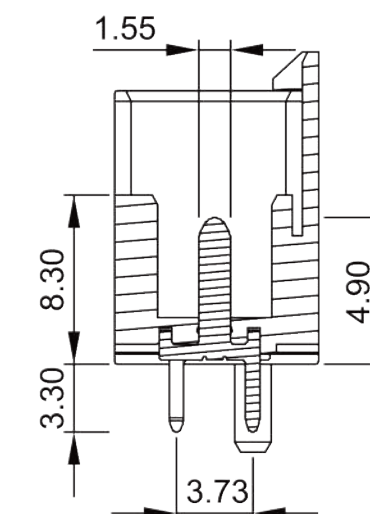
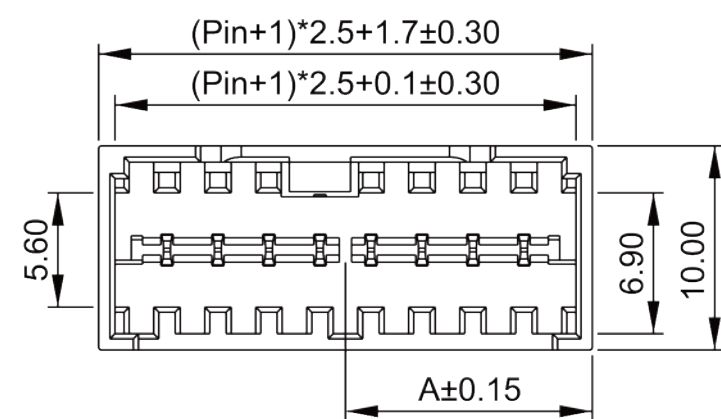
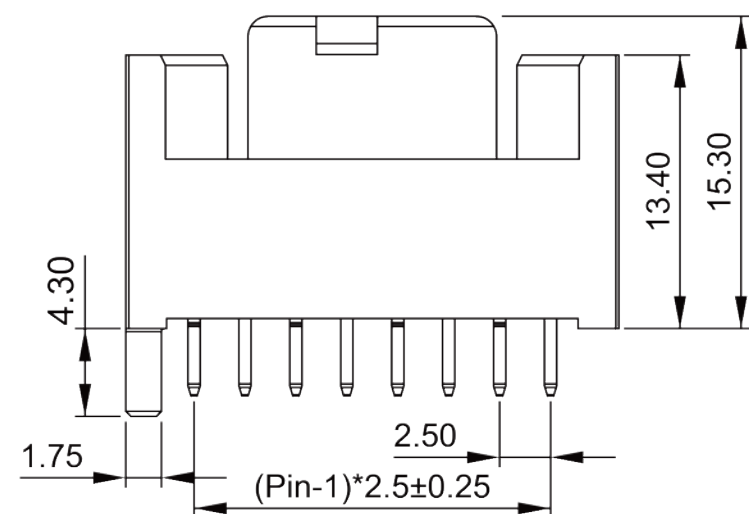
RCSGA111 Series



Shipping Arrangement: 50 sets per strip shipped in carton box

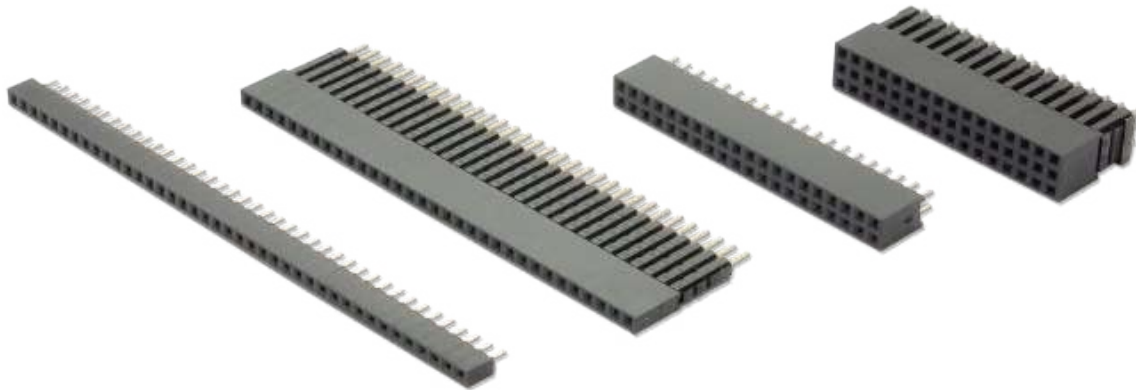
Spacer bar	0	1	2	3	4	5	6	7	8	9	A	B	C	D	E	F	G	H
Dim.A	/	2.45	4.95	7.45	9.95	12.45	14.95	17.45	19.95	22.45	24.95	27.45	29.95	32.45	34.95	37.45	39.95	42.45

RGPGA109 Series



PCB layout:

Spacer bar	0	1	2	3	4	5	6	7	8	9	A	B	C	D	E	F	G
Dim.A	/	4.6	7.1	9.6	12.1	14.6	17.1	19.6	22.1	24.6	27.1	29.6	32.1	34.6	37.1	39.6	42.1



Wire to Board & PCI&I/O Connector

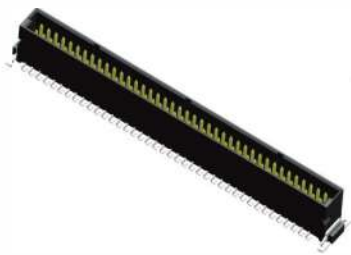
CequalsC, a brand under RTS, offers BTB (Board-to-Board) and WTB (Wire-to-Board) connectors available in pitch sizes of 0.8mm, 1.0mm, 1.27mm, 2mm and 2.54mm.

solution for pitch 1.27mm

Board to Board

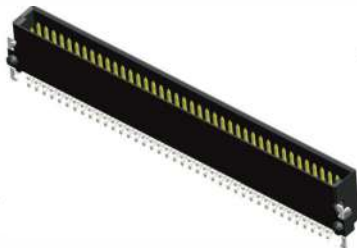


▶ Board to Board



RGBEC201
RGBEC202 Series

C01



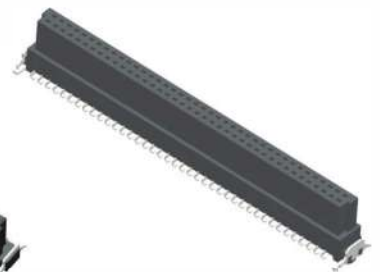
RGBED202 Series

C02



RCBEC201 Series

C03



RCBEC219 Series

C04



RCBEC220 Series

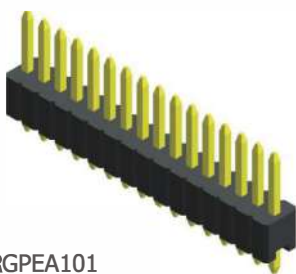
C05



RCBED201 Series

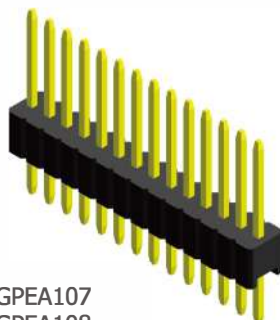
C06

▶ Pin Header



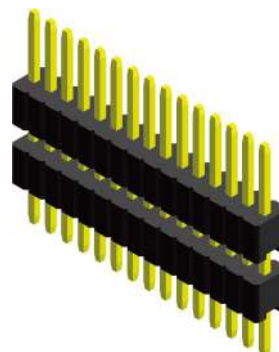
RGPEA101
RGPEA102
RGPEA103
RGPEA115 Series

C07



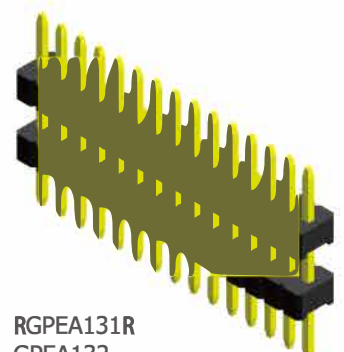
RGPEA107
RGPEA108
RGPEA109
RGPEA111 Series

C08



RGPEA122
RGPEA126 Series

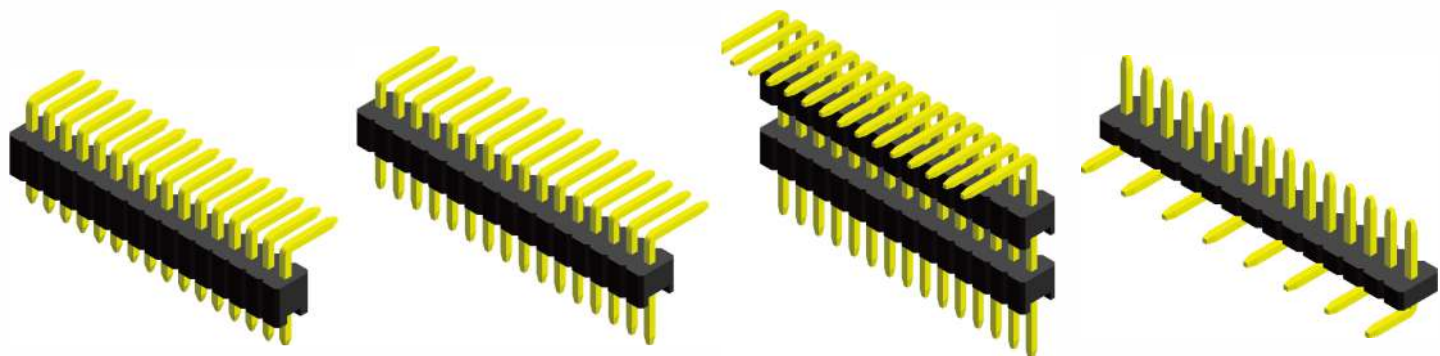
C09



RGPEA131R
GPEA132
RGPEA133
RGPEA135 Series

C10

solution for pitch 1.27mm



RGPEB101
RGPEB115 Series

C11

RGPEB108 RGPEB109
RGPEB111 Series

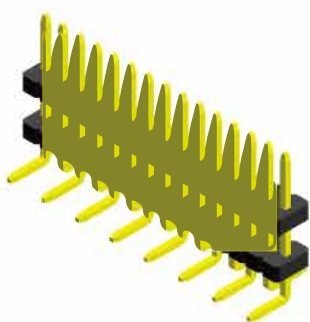
C12

RGPEB135 Series

C13

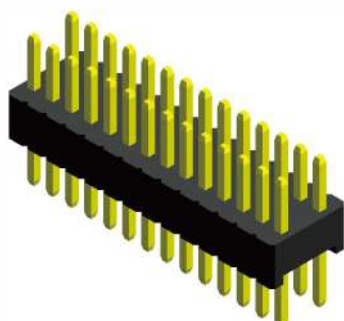
RGPEC108 RGPEC109
RGPEC111 Series

C14



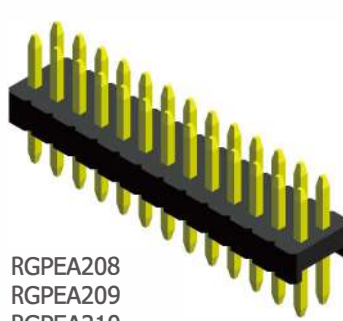
RGPEC132 Series

C15



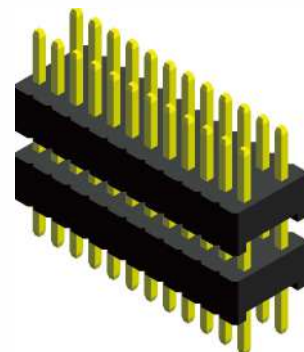
RGPEA201
RGPEA202
RGPEA203 Series

C16



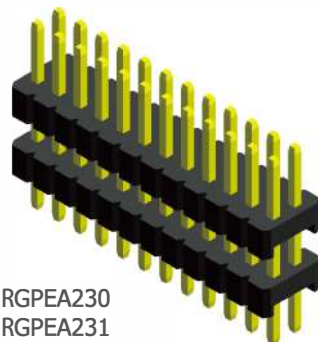
RGPEA208
RGPEA209
RGPEA210
RGPEA211
RGPEA212
RGPEA214 Series

C17



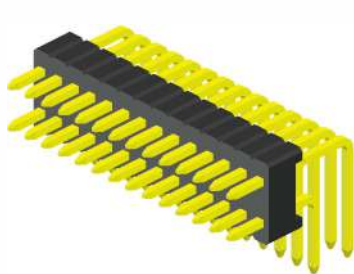
RGPEA221 Series

C18



RGPEA230
RGPEA231
RGPEA232
RGPEA233
RGPEA235 Series

C19



RGPEB201
RGPEB203 Series

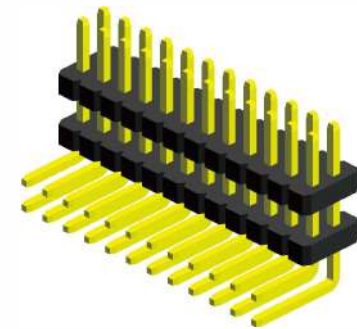
C20



RGPEB208
RGPEB209
RGPEB210
RGPEB211
RGPEB212
RGPEB213 Series

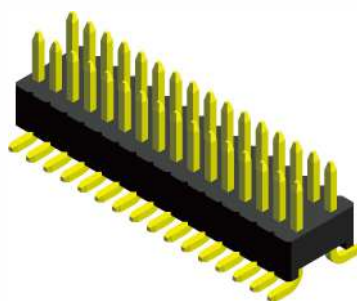
C21

RGPEB214 Series



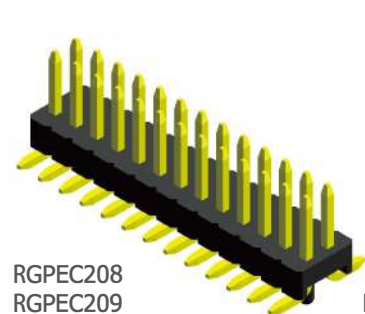
RGPEB232
RGPEB233 Series

C22



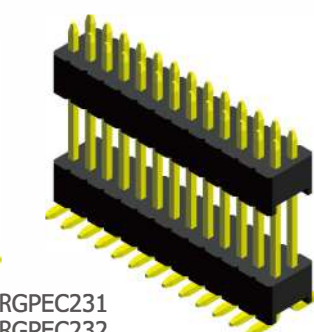
RGPEC201
RGPEC203 Series

C23



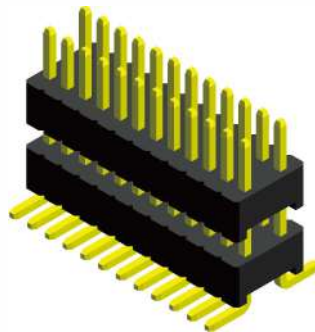
RGPEC208
RGPEC209
RGPEC210
RGPEC211
RGPEC212
RGPEC213 Series

C24



RGPEC231
RGPEC232
RGPEC233
RGPEC235
RGPEC238 Series

C25



RGPEC260 Series

C26

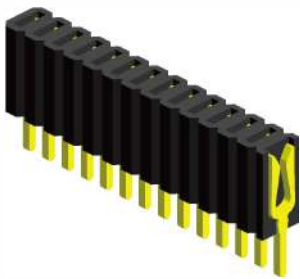
solution for pitch 1.27mm



RGPED201 Series

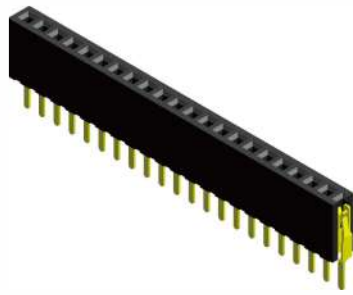
C27

▶ Female Header



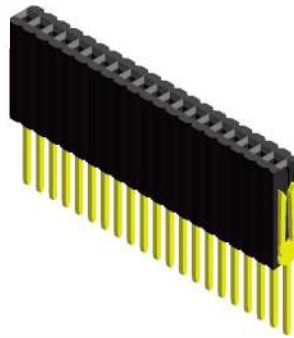
RCSEA101 Series

C28



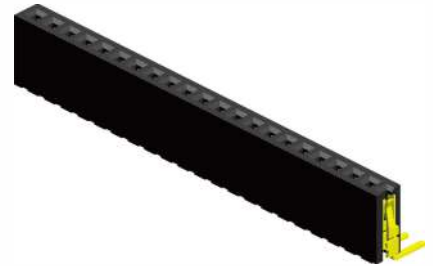
RCSEA102 Series

C29



RCSEA113 Series

C30



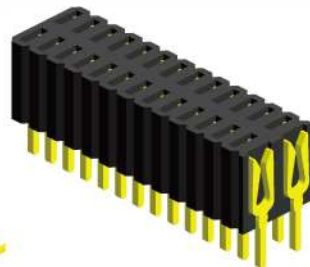
RCSEB102 Series

C31



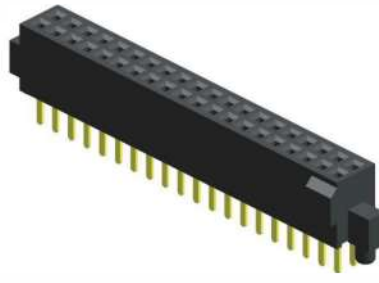
RCSEC102 Series

C32



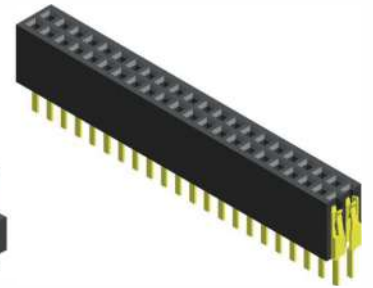
RCSEA201 Series

C33



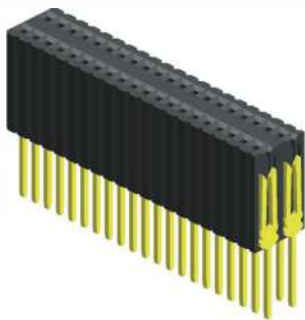
RCSEA202 Series

C34



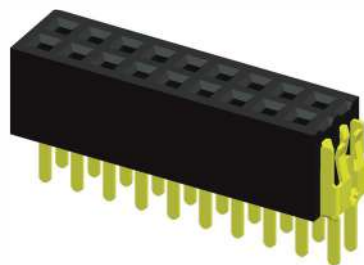
RCSEA202
RCSEA207 Series

C35



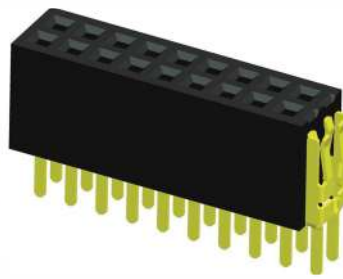
RCSEA213 Series

C36



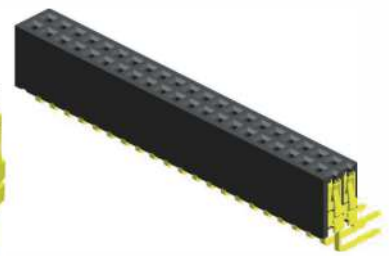
RCSEA230 Series

C37



RCSEA232 Series

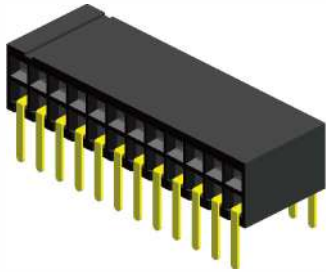
C38



RCSEB202 Series

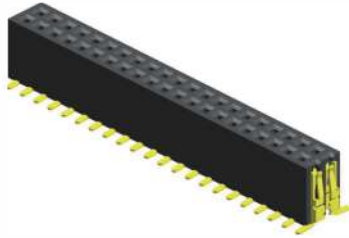
C39

solution for pitch 1.27mm



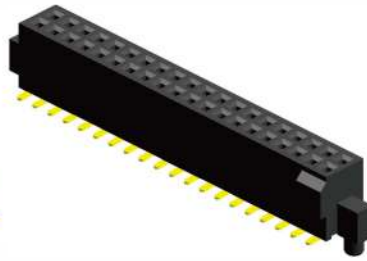
RCSEB214 Series

C40



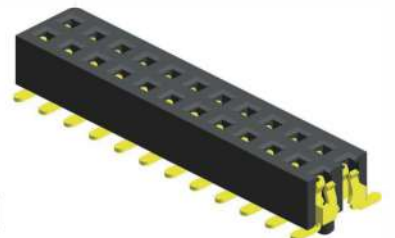
RCSEC202 Series

C41



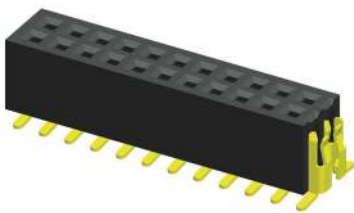
RCSEC202 Series

C42



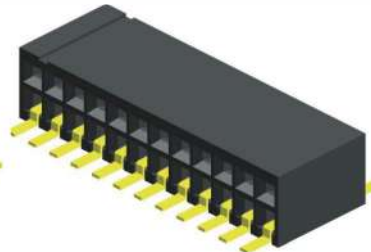
RCSEC203 Series

C43



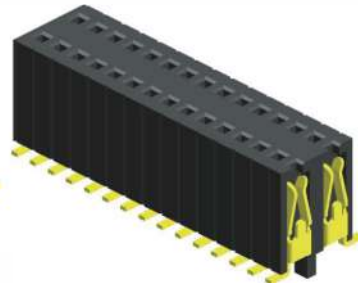
RCSEC207 Series

C44



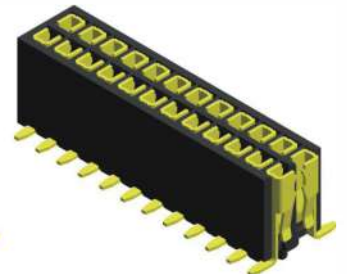
RCSEC208 Series

C45



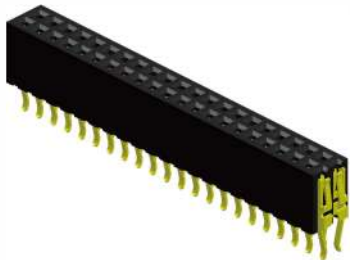
RCSEC212 Series

C46



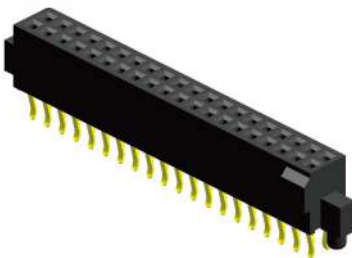
RCSEC218 Series

C47



RCSEE202 Series

C48



RCSEE202 Series

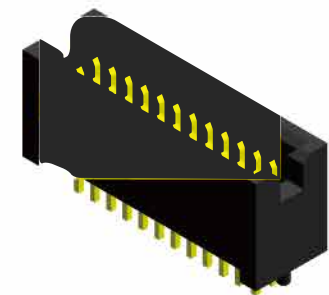
C49

solution for pitch 1.27mm

Wire to Board

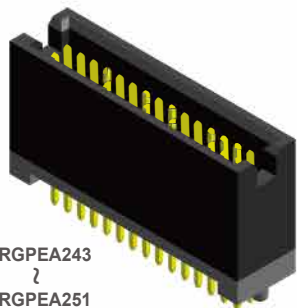


▶ Box Header



RGPEA241
RGPEA242 Series

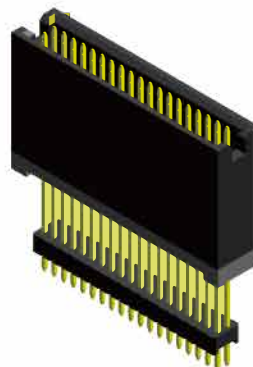
K01



RGPEA243
?
RGPEA251
RGPEA253
RGPEA254
RGPEA255
RGPEA258
RGPEA259
RGPEA262 Series

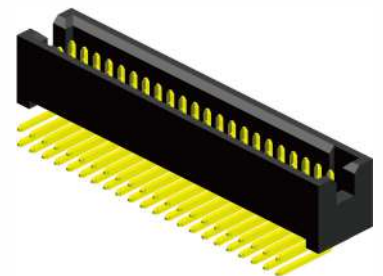
RGPEA264
?
RGPEA268 Series

K02



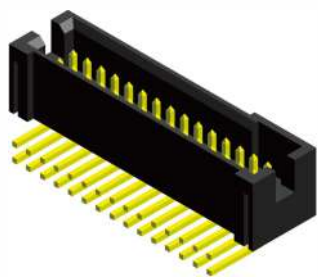
RGPEA288 Series

K03



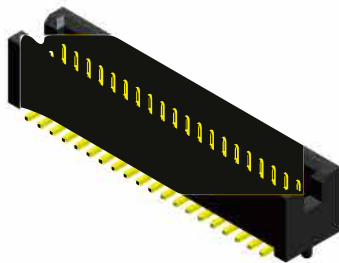
RGPEB241
RGPEB242 Series

K04



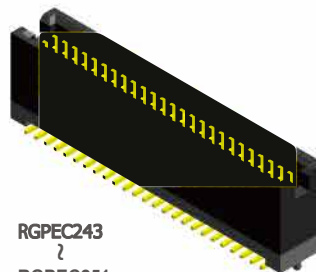
RGPEB252 Series

K05



RGPEC241 Series

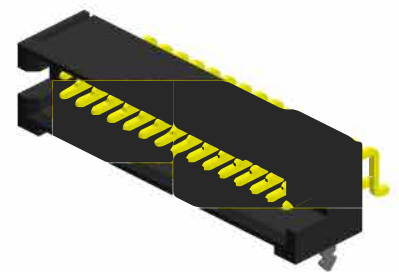
K06



RGPEC243
?
RGPEC251
RGPEC253
RGPEC254
RGPEC255
RGPEC258
RGPEC259
RGPEC262 Series

RGPEC264
?
RGPEC268 Series

K07



RGPED252 Series

K08

Board to Board

pitch 1.27mm (0.05") | Male | S.M.T. | Locating peg

RGBEC201
RGBEC202 Series

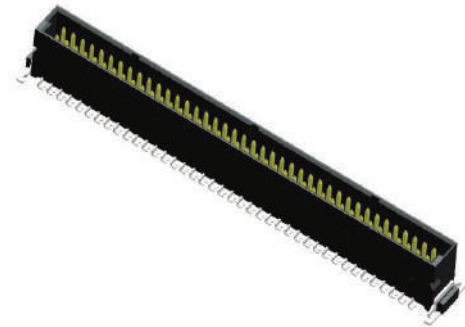
Specifications

Current Rating :	1.7 Ampere
Insulation Resistance :	1000 MΩ Min
Dielectric Withstanding :	500V AC
Contact Resistance :	25 mΩ Max
Operating Temperature :	-55°C to +125°C
Date Rate :	Up to 8 Gbps / High speed

Materials

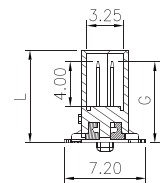
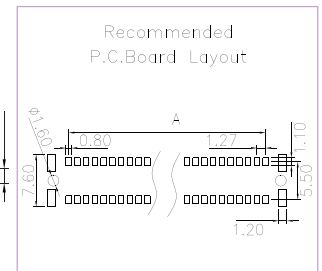
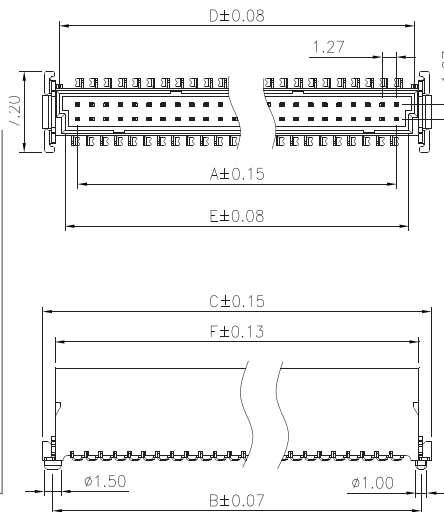
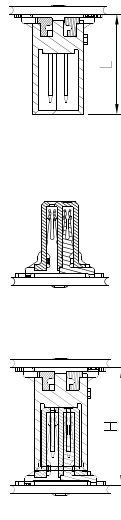
Contact Material :	Phosphor Bronze
Insulation Material :	High Temperature Thermoplastic, 94V-0 LCP

All materials must meet Greenconn's requirements for environmental protection.



Mating with

Males Series	Females Series	H	Page
RGBEC201	RCBEC201	9.40	C03
	RCBEC219	12.20	C04
	RCBEC220	16.85	C05
	RCBED201	14.40	C06
GBEC202	RCBEC201	7.90	C03
	RCBEC219	10.70	C04
	RCBEC220	15.35	C05
	RCBED201	12.50	C06



No. of Pins/Row	Dimension Information						
	A	B	C	D	E	F	
05	5.08	9.50	11.30	8.30	7.30	9.08	
06	6.35	10.77	12.57	9.57	8.57	10.35	
08	8.89	13.31	15.21	12.11	11.11	12.89	
10	11.43	15.85	17.75	14.65	13.65	15.43	
13	15.24	19.66	21.60	18.46	17.46	19.24	
16	19.05	23.47	25.37	22.27	21.27	23.05	
20	24.13	28.55	30.45	27.35	26.35	28.13	

No. of Pins/Row	Dimension Information						
	A	B	C	D	E	F	
25	30.48	34.90	36.80	33.70	32.70	34.48	
34	41.91	46.33	48.20	45.13	44.13	45.91	
40	49.53	53.95	55.80	52.75	51.75	53.53	

Ordering Information

Standard Packaging : Cap+Tape Reel

RGBEC2	<input type="checkbox"/> <input type="checkbox"/>	-	<input type="checkbox"/> <input type="checkbox"/>	<input type="checkbox"/> <input type="checkbox"/>	<input type="checkbox"/> <input type="checkbox"/> <input type="checkbox"/>	C1AF
	Height Option (L)		No. of Pins per Row	Standard Plating	<input type="checkbox"/> <input type="checkbox"/> <input type="checkbox"/>	Pin Length (G)
	<input type="checkbox"/> : L=8.20		<input type="checkbox"/> <input type="checkbox"/> <input type="checkbox"/> <input type="checkbox"/> <input type="checkbox"/>	<input type="checkbox"/> : 5u" Au / 80~160u" Matte Tin	<input type="checkbox"/> <input type="checkbox"/> <input type="checkbox"/>	<input type="checkbox"/> : G=7.20
	<input type="checkbox"/> : L=6.70		<input type="checkbox"/> <input type="checkbox"/> <input type="checkbox"/>	Selective Plating	<input type="checkbox"/> <input type="checkbox"/>	<input type="checkbox"/> : G=5.70
			<input type="checkbox"/> <input type="checkbox"/>	<input type="checkbox"/> : Gold Flash / Tin		For special length requirement
				<input type="checkbox"/> : 10u" Gold / Gold Flash		Please contact our sales personnel

Due to technical progress, all designs, specifications and components are subject to change without notice.

Board to Board

pitch 1.27mm (0.05") | Male | S.M.T. R/A | Locating peg

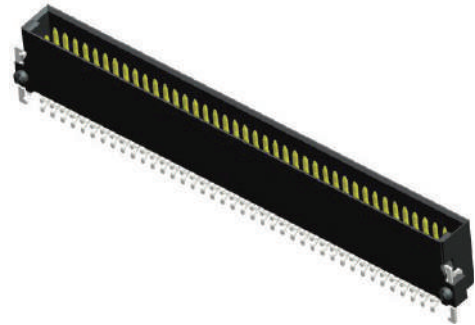
RGBED202 Series

Specifications

Current Rating :	1.7 Ampere
Insulation Resistance :	1000 M Ω Min
Dielectric Withstanding :	500V AC
Contact Resistance :	25 m Ω Max
Operating Temperature :	-55°C to +125°C
Date Rate :	Up to 8 Gbps / High speed

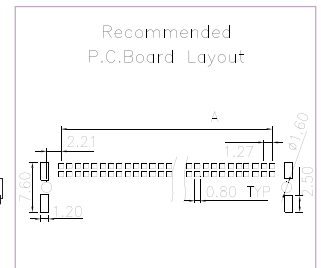
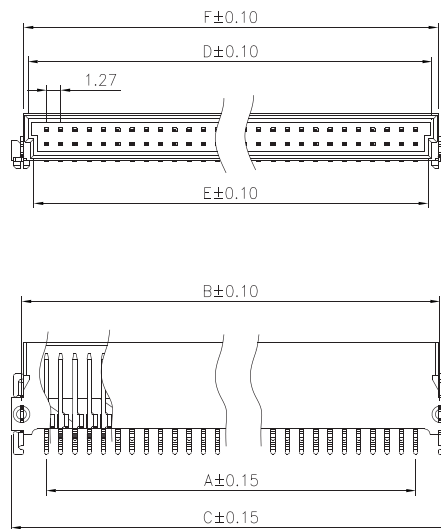
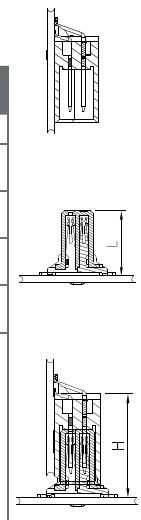
Materials

Contact Material :	Phosphor Bronze
Insulation Material :	High Temperature Thermoplastic, 94V-0 LCP



Mating with

Males Series	Females Series	H	Page
RGBED202	RCBEC201	11.20	C03
	RCBEC219	14.00	C04
	RCBEC220	18.65	C05
	RCBED201	12.80	C06



No. of Pins/Row	Dimension Information						
	A	B	C	D	E	F	
05	5.08	9.50	11.30	8.30	7.30	9.08	
06	6.35	10.77	12.57	9.57	8.57	10.35	
08	8.89	13.31	15.11	12.11	11.11	12.89	
10	11.43	15.85	17.65	14.65	13.65	15.43	
13	15.24	19.66	21.46	18.46	17.46	19.24	
16	19.05	23.47	25.27	22.27	21.27	23.05	
20	24.13	28.55	30.35	27.35	26.35	28.13	

No. of Pins/Row	Dimension Information						
	A	B	C	D	E	F	
25	30.48	34.90	36.70	33.70	32.70	34.48	
34	41.91	46.33	48.13	45.13	44.13	45.91	
40	49.53	53.95	55.75	52.75	51.75	53.53	

Ordering Information

Standard Packaging : Tape Reel

RGBED2	XX	-	XX	XX	B001C1AD
	Height Option (L)		No. of Pins per Row	Standard Plating	
	02		05 10 20 34 40 06 13 25 08 16	79 : 5u" Au / 80~160u" Matte Tin	
				Selective Plating	
				02 : Gold Flash	
				77 : 15u" Gold / Matte Tin	

Due to technical progress, all designs, specifications and components are subject to change without notice.

Board to Board

pitch 1.27mm (0.05") | Female | S.M.T. | Locating peg

RCBEC201 Series

Specifications

Current Rating :	1.7 Ampere
Insulation Resistance :	1000 MΩ Min
Dielectric Withstanding :	500V AC
Contact Resistance :	25 mΩ Max
Operating Temperature :	-55°C to +125°C
Date Rate :	Up to 8 Gbps / High speed

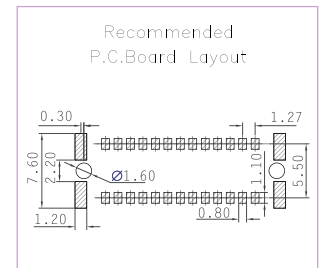
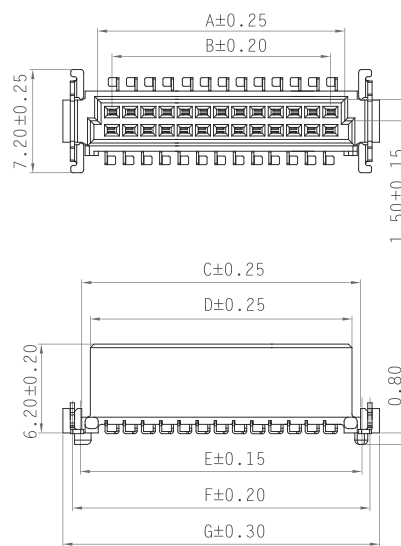
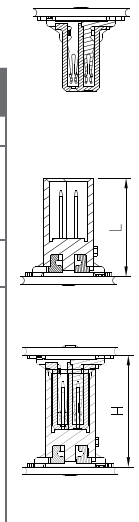
Materials

Contact Material :	Phosphor Bronze
Insulation Material :	High Temperature Thermoplastic, 94V-0 LCP



Mating with

Females Series	Males Series	H	Page
RCBEC201	RGBEC201	9.40	C01
	RGBEC202	7.90	
	RGBED202	11.20	C02



No. of Pins/Row	Dimension Information						
	A	B	C	D	E	F	G
06	8.37	6.35	10.37	9.57	10.77	11.87	13.20
08	10.91	8.89	13.11	11.91	13.31	14.41	15.74
10	13.45	11.43	15.65	14.45	15.85	16.95	18.28
13	17.26	15.24	19.46	18.26	19.66	20.76	22.09
16	21.07	19.05	23.27	22.07	23.47	24.57	25.90
20	26.15	24.13	28.35	27.15	28.55	29.65	30.98

No. of Pins/Row	Dimension Information						
	A	B	C	D	E	F	G
25	32.50	30.48	34.70	33.50	34.90	36.00	37.33
34	43.93	41.91	46.13	44.93	46.33	47.43	48.76
40	51.55	49.53	53.75	52.55	53.95	55.05	56.38

Ordering Information

Standard Packaging : Cap+Tape Reel

RCBEC2	<input type="text" value="XX"/>	-	<input type="text" value="XX"/>	<input type="text" value="XX"/>	B001C1AF
	Height Option (L)		No. of Pins per Row	Standard Plating	
	<input type="text" value="01"/>		<input type="text" value="06"/> <input type="text" value="10"/> <input type="text" value="20"/> <input type="text" value="34"/> <input type="text" value="40"/>	<input type="text" value="79"/> : 5u" Au / 80~160u" Matte Tin	
			<input type="text" value="08"/> <input type="text" value="13"/> <input type="text" value="25"/>	Selective Plating	
			<input type="text" value="16"/>	<input type="text" value="01"/> : Tin	
				<input type="text" value="52"/> : 5u" Au / 80~160u" Tin	

Due to technical progress, all designs, specifications and components are subject to change without notice.

Board to Board

pitch 1.27mm (0.05") | Female | S.M.T. | Locating peg

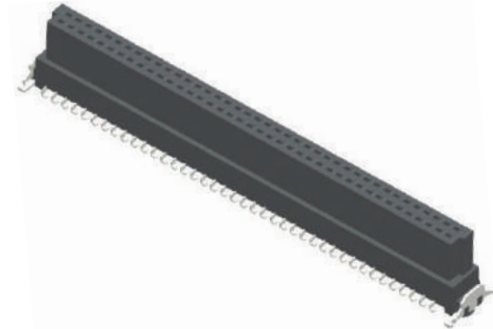
RCBEC219 Series

Specifications

Current Rating :	1.7 Ampere
Insulation Resistance :	1000 MΩ Min
Dielectric Withstanding :	500V AC
Contact Resistance :	25 mΩ Max
Operating Temperature :	-55°C to +125°C
Date Rate :	Up to 8 Gbps / High speed

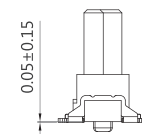
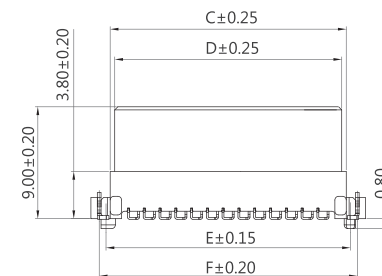
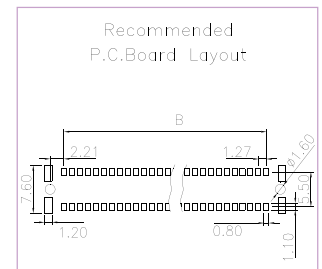
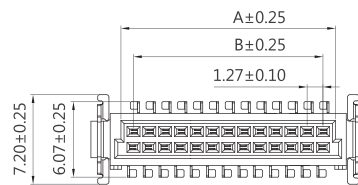
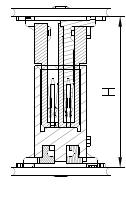
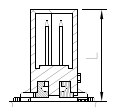
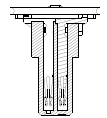
Materials

Contact Material :	Phosphor Bronze
Insulation Material :	High Temperature Thermoplastic, 94V-0 LCP



Mating with

Females Series	Males Series	H	Page
RCBEC219	RGBEC201	12.20	C01
	RGBEC202	10.70	
	RGBED202	14.00	C02



No. of Pins/Row	Dimension Information					
	A	B	C	D	E	F
06	8.37	6.35	10.10	9.37	10.77	11.87
08	10.91	8.89	12.64	11.91	13.31	14.41
10	13.45	11.43	15.18	14.45	15.85	16.95
13	17.26	15.24	18.99	18.26	19.66	20.76
16	21.07	19.05	22.80	22.07	23.47	24.57
20	26.15	24.13	27.88	27.15	28.55	29.65

No. of Pins/Row	Dimension Information					
	A	B	C	D	E	F
25	32.50	30.48	34.23	33.50	34.90	36.00
34	43.93	41.91	45.66	44.93	46.33	47.43
40	51.55	49.53	53.28	52.55	53.95	55.05

Ordering Information

Standard Packaging : Tape Reel

RCBEC2	XX	-	XX	XX	B001C1TX
	Height Option (L)		No. of Pins per Row	Standard Plating	
	19		06 10 20 34 40 08 13 25 16	79 : 5u" Au / 80~160u" Matte Tin	
				Selective Plating	
				01 : Tin	
				52 : 5u" Au / 80~160u" Tin	

Due to technical progress, all designs, specifications and components are subject to change without notice.

Board to Board

pitch 1.27mm (0.05") | Female | S.M.T. | Locating peg

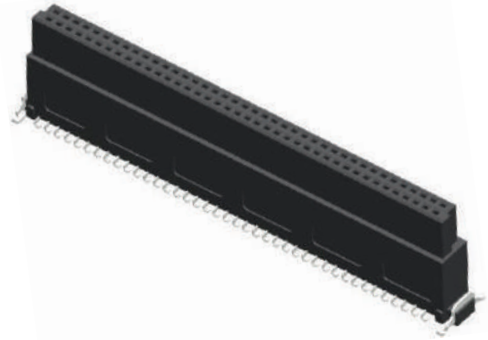
RCBEC220 Series

Specifications

Current Rating :	1.7 Ampere
Insulation Resistance :	1000 MΩ Min
Dielectric Withstanding :	500V AC
Contact Resistance :	25 mΩ Max
Operating Temperature :	-55°C to +125°C
Date Rate :	Up to 8 Gbps / High speed

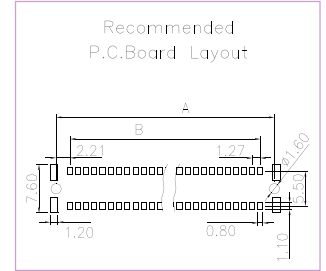
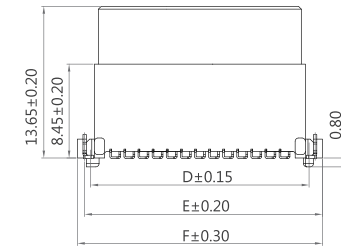
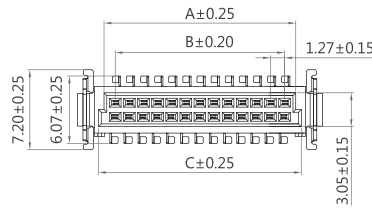
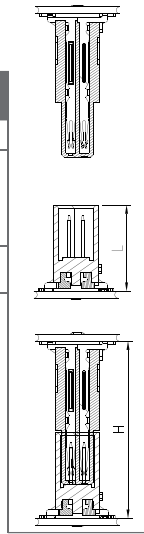
Materials

Contact Material :	Phosphor Bronze
Insulation Material :	High Temperature Thermoplastic, 94V-0 LCP



Mating with

Females Series	Males Series	H	Page
RCBEC220	RGBEC201	16.85	C01
	RGBEC202	15.35	
	RGBED202	18.65	C02



No. of Pins/Row	Dimension Information					
	A	B	C	D	E	F
06	8.37	6.35	9.37	10.77	11.87	13.16
08	10.91	8.89	11.91	13.31	14.41	15.70
10	13.45	11.43	14.45	15.85	16.95	18.24
13	17.26	15.24	18.26	19.66	20.76	22.05
16	21.07	19.05	22.07	23.47	24.57	25.86
20	26.15	24.13	27.15	28.55	29.65	30.94

No. of Pins/Row	Dimension Information					
	A	B	C	D	E	F
25	32.50	30.48	33.50	34.90	36.00	37.29
34	43.93	41.91	44.93	46.33	47.43	48.72
40	51.55	49.53	52.55	53.95	55.05	56.34

Ordering Information

Standard Packaging : Cap+Tape Reel

RCBEC2	<input type="text" value="XX"/>	-	<input type="text" value="XX"/>	<input type="text" value="XX"/>	B001C1TX
	Height Option (L)		No. of Pins per Row	Standard Plating	
	<input type="text" value="20"/>		<input type="text" value="06"/> <input type="text" value="10"/> <input type="text" value="20"/> <input type="text" value="34"/> <input type="text" value="40"/>	<input type="text" value="79"/> : 5u" Au/ 80~160u" Matte Tin	
			<input type="text" value="08"/> <input type="text" value="13"/> <input type="text" value="25"/>	Selective Plating	
			<input type="text" value="16"/>	<input type="text" value="02"/> : Gold Flash	

Due to technical progress, all designs, specifications and components are subject to change without notice.

Board to Board

pitch 1.27mm (0.05") | Female | S.M.T. R/A | Locating peg

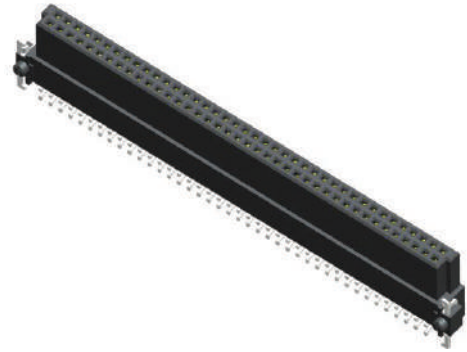
RCBED201 Series

Specifications

Current Rating :	1.7 Ampere
Insulation Resistance :	1000 MΩ Min
Dielectric Withstanding :	500V AC
Contact Resistance :	25 mΩ Max
Operating Temperature :	-55°C to +125°C
Date Rate :	Up to 8 Gbps / High speed

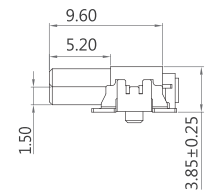
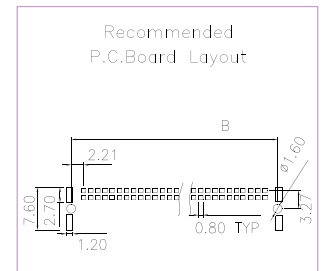
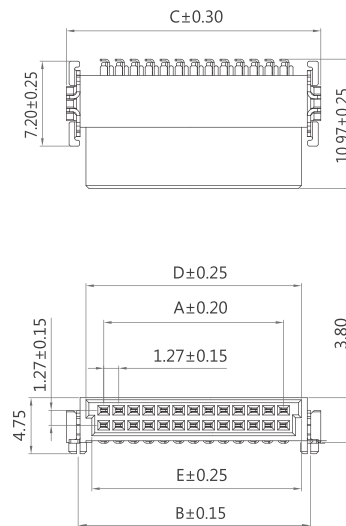
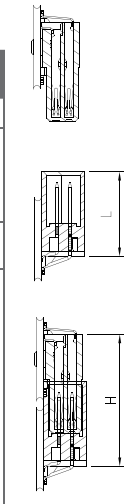
Materials

Contact Material :	Phosphor Bronze
Insulation Material :	High Temperature Thermoplastic, 94V-0 LCP



Mating with

Females Series	Males Series	H	Page
RCBED201	RGBEC201	14.00	C01
	RGBEC202	12.50	
	RGBED202	12.80	C02



No. of Pins/Row	Dimension Information				
	A	B	C	D	E
05	5.08	9.50	11.40	8.10	7.10
06	6.35	10.77	12.67	9.37	8.37
08	8.89	13.31	15.21	11.91	10.91
10	11.43	15.85	17.75	14.45	13.45
13	15.24	19.66	21.56	18.26	17.26
16	19.05	23.47	25.37	22.07	21.07
20	24.13	28.56	30.45	27.15	26.15

No. of Pins/Row	Dimension Information				
	A	B	C	D	E
25	30.48	34.90	36.80	33.50	32.50
30	36.83	41.25	43.15	39.85	38.85
34	41.91	46.33	48.23	44.93	43.93
40	49.53	53.95	55.85	52.55	51.55

Ordering Information

RCBED2 - B001C1TX

Height Option (L)

No. of Pins per Row

05	10	20	30	40
06	13	25	34	
08	16			

Standard Plating

79	: 5u" Au/ 80~160u" Matte Tin
78	: 30u" Gold / Matte Tin
77	: 15u" Gold / Matte Tin

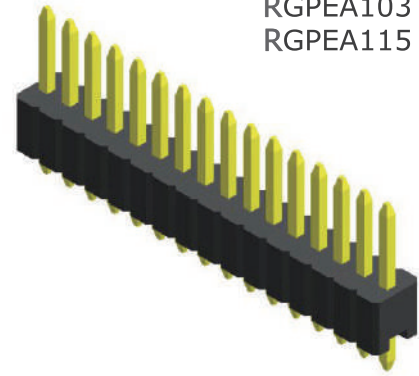
Standard Packaging : Cap+Tape Reel

Due to technical progress, all designs, specifications and components are subject to change without notice.

Pin Header

pitch 1.27mm (0.05") | Single row | Dip

RGPEA101
RGPEA102
RGPEA103
RGPEA115 Series



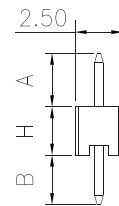
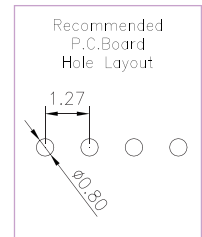
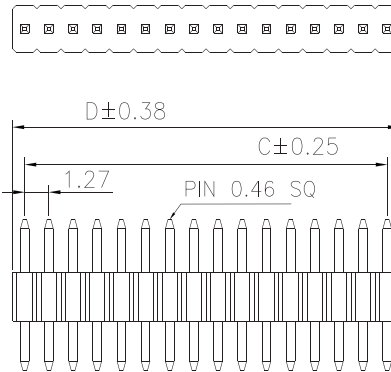
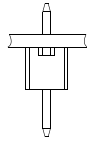
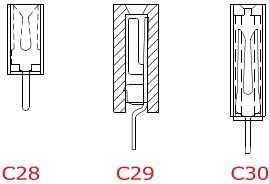
Specifications

Current Rating : 1.0 Ampere
Insulation Resistance : 1000 MΩ Min
Dielectric Withstanding : 300V AC
Contact Resistance : 20 mΩ Max
Operating Temperature : -40°C to +105°C

Materials

Contact Material : Phosphor Bronze
Insulation Material : High Temperature Thermoplastic, 94V-0 LCP

Mating with



* For Coded Dimension Not Inside The Table, Please Refer To "Ordering Information"

No. of Pins/Row	Dimension Information		No. of Pins/Row	Dimension Information		No. of Pins/Row	Dimension Information		No. of Pins/Row	Dimension Information	
	C	D		C	D		C	D		C	D
02	1.27	2.54	14	16.51	17.78	27	33.02	34.29	40	49.53	50.80
03	2.54	3.81	15	17.78	19.05	28	34.29	35.56	41	50.80	52.07
04	3.81	5.08	16	19.05	20.32	29	35.56	36.83	42	52.07	53.34
05	5.08	6.35	17	20.32	21.59	30	36.83	38.10	43	53.34	54.61
06	6.35	7.62	18	21.59	22.86	31	38.10	39.37	44	54.61	55.88
07	7.62	8.89	19	22.86	24.13	32	39.37	40.64	45	55.88	57.15
08	8.89	10.16	20	24.13	25.40	33	40.64	41.91	46	57.15	57.42
09	10.16	11.43	21	25.40	26.67	34	41.91	43.18	47	57.42	59.69
10	11.43	12.70	22	26.67	27.94	35	43.18	44.45	48	59.69	60.96
11	12.70	13.97	23	27.94	29.21	36	44.45	45.72	49	60.96	62.23
12	13.97	15.24	24	29.21	30.48	37	45.72	46.99	50	62.23	63.50
13	15.24	16.51	25	30.48	31.75	38	46.99	48.26			
			26	31.75	33.02	39	48.26	49.53			

Ordering Information

Standard Packaging : Box

RGPEA1 - C1BA

Height Option (H) Standard No. of Pins per Row Standard Plating Pin Length (A/B)

: H=2.54 : Gold Flash : A=6.00 / B=3.00

: H=3.00 ? : Gold Flash : A=4.00 / B=2.50

: H=1.70 : Tin : A=3.00 / B=2.60

: H=1.40 : Gold Flash / Tin : A=3.00 / B=2.00

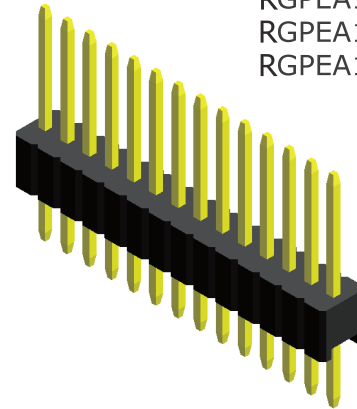
For special length requirement
Please contact our sales personnel

Due to technical progress, all designs, specifications and components are subject to change without notice.

Pin Header

pitch 1.27mm (0.05") | Single row | Dip

RGPEA107
RGPEA108
RGPEA109
RGPEA111 Series



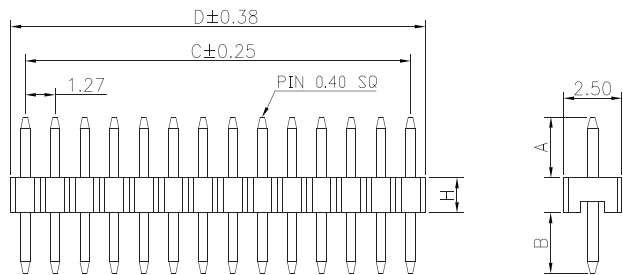
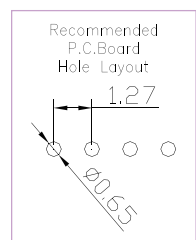
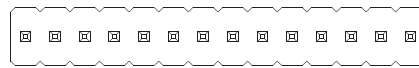
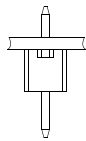
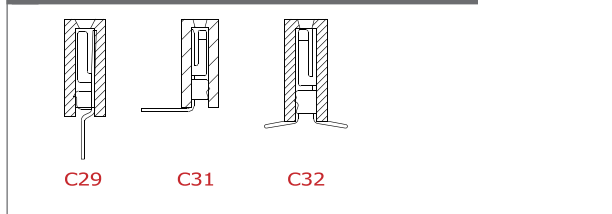
Specifications

Current Rating :	1.0 Ampere
Insulation Resistance :	1000 MΩ Min
Dielectric Withstanding :	300V AC
Contact Resistance :	20 mΩ Max
Operating Temperature :	-40°C to +105°C

Materials

Contact Material :	Brass
Insulation Material :	High Temperature Thermoplastic, 94V-0 LCP

Mating with



* For Coded Dimension Not Inside The Table, Please Refer To "Ordering Information"

No. of Pins/Row	Dimension Information			No. of Pins/Row	Dimension Information			No. of Pins/Row	Dimension Information			No. of Pins/Row	Dimension Information		
	A	B			A	B			A	B			A	B	
02	1.27	2.54		11	12.70	13.97		21	25.40	26.67		31	38.10	39.37	
03	2.54	3.81		12	13.97	15.24		22	26.67	27.94		32	39.37	40.64	
04	3.81	5.08		13	15.24	16.51		23	27.94	29.21		33	40.64	41.91	
05	5.08	6.35		14	16.51	17.78		24	29.21	30.48					
06	6.35	7.62		15	17.78	19.05		25	30.48	31.75					
07	7.62	8.89		16	19.05	20.32		26	31.75	33.02					
08	8.89	10.16		17	20.32	21.59		27	33.02	34.29					
09	10.16	11.43		18	21.59	22.86		28	34.29	35.56					
10	11.43	12.70		19	22.86	24.13		29	35.56	36.83					
				20	24.13	25.40		30	36.83	38.10					

Ordering Information

RGPEA1 - C1BA

Height Option (H) No. of Pins per Row Standard Plating Pin Length (A/B)

<input type="text" value="07"/> : H=2.54	<input type="text" value="02"/>	<input type="text" value="02"/> : Gold Flash	<input type="text" value="008"/> : A=6.00 / B=3.00
<input type="text" value="08"/> : H=1.00	?	RGPEA107...A	<input type="text" value="045"/> : A=2.00 / B=1.45
<input type="text" value="09"/> : H=1.50	<input type="text" value="33"/>	RGPEA108...A	<input type="text" value="001"/> : A=2.60 / B=2.60
<input type="text" value="11"/> : H=2.00		RGPEA109...A	<input type="text" value="011"/> : A=3.00 / B=3.00
		RGPEA111...A	

Selective Plating

: Tin

: Gold Flash / Tin

For special length requirement
Please contact our sales personnel

Due to technical progress, all designs, specifications and components are subject to change without notice.

Pin Header

pitch 1.27mm (0.05") | Single row | Dip | Board spacer

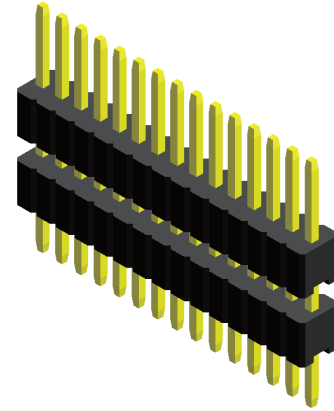
RGPEA122
RGPEA126 Series

Specifications

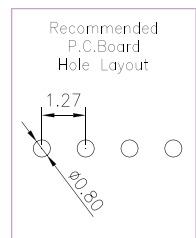
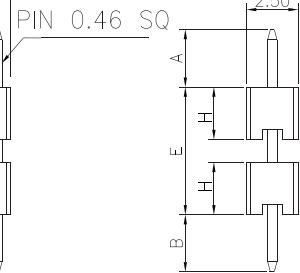
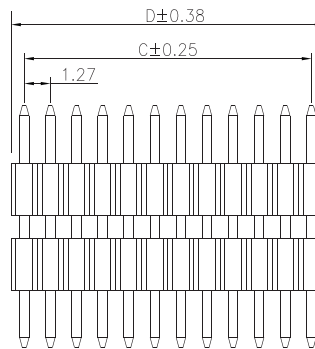
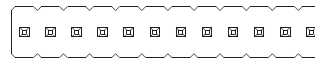
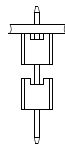
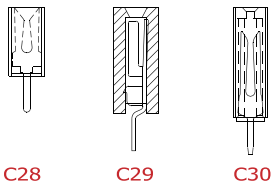
Current Rating :	1.0 Ampere
Insulation Resistance :	1000 M Ω Min
Dielectric Withstanding :	300V AC
Contact Resistance :	20 m Ω Max
Operating Temperature :	-40°C to +105°C

Materials

Contact Material :	Brass
Insulation Material :	High Temperature Thermoplastic, 94V-0 LCP



Mating with



* For Coded Dimension Not Inside The Table, Please Refer To "Ordering Information"

No. of Pins/Row	Dimension Information		No. of Pins/Row	Dimension Information		No. of Pins/Row	Dimension Information		No. of Pins/Row	Dimension Information	
	C	D		C	D		C	D		C	D
02	1.27	2.54	14	16.51	17.78	27	33.02	34.29	40	49.53	50.80
03	2.54	3.81	15	17.78	19.05	28	34.29	35.56	41	50.80	52.07
04	3.81	5.08	16	19.05	20.32	29	35.56	36.83	42	52.07	53.34
05	5.08	6.35	17	20.32	21.59	30	36.83	38.10	43	53.34	54.61
06	6.35	7.62	18	21.59	22.86	31	38.10	39.37	44	54.61	55.88
07	7.62	8.89	19	22.86	24.13	32	39.37	40.64	45	55.88	57.15
08	8.89	10.16	20	24.13	25.40	33	40.64	41.91	46	57.15	57.42
09	10.16	11.43	21	25.40	26.67	34	41.91	43.18	47	57.42	59.69
10	11.43	12.70	22	26.67	27.94	35	43.18	44.45	48	59.69	60.96
11	12.70	13.97	23	27.94	29.21	36	44.45	45.72	49	60.96	62.23
12	13.97	15.24	24	29.21	30.48	37	45.72	46.99	50	62.23	63.50
13	15.24	16.51	25	30.48	31.75	38	46.99	48.26			
			26	31.75	33.02	39	48.26	49.53			

Ordering Information

Standard Packaging : Box

RGPEA1	<input checked="" type="checkbox"/> <input checked="" type="checkbox"/>	-	<input checked="" type="checkbox"/> <input checked="" type="checkbox"/>	<input checked="" type="checkbox"/> <input checked="" type="checkbox"/>	<input checked="" type="checkbox"/> <input checked="" type="checkbox"/> <input checked="" type="checkbox"/>	C1BA
	Height Option (H)		No. of Pins per Row	Standard Plating	Pin Length (A/B/E)	
	<input type="checkbox"/> 22 : H=3.00		<input type="checkbox"/> 02	<input type="checkbox"/> 02 : Gold Flash	<input type="checkbox"/> 007 : A=3.00 / B=3.00 / E=6.00	
	<input type="checkbox"/> 26 : H=2.54		<input type="checkbox"/> ?	<input type="checkbox"/> 05 : Gold Flash / Tin	<input type="checkbox"/> 003 : A=2.80 / B=2.60 / E=5.80	
			<input type="checkbox"/> 50		For special length requirement Please contact our sales personnel	

Due to technical progress, all designs, specifications and components are subject to change without notice.

Pin Header

pitch 1.27mm (0.05") | Single row | R/A

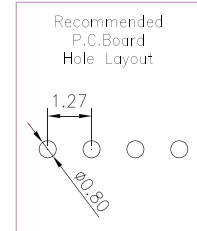
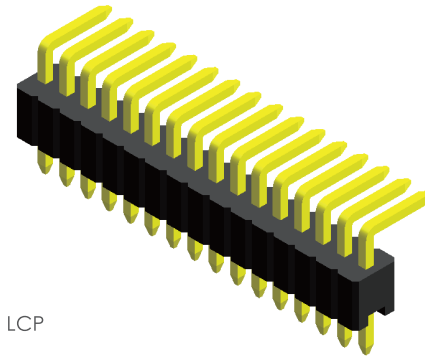
RGPEB101
RGPEB115 Series

Specifications

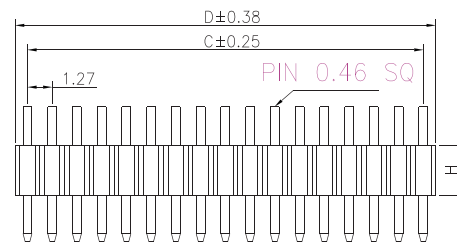
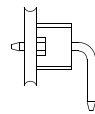
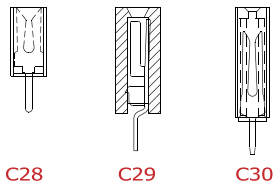
Current Rating :	1.0 Ampere
Insulation Resistance :	1000 MΩ Min
Dielectric Withstanding :	300V AC
Contact Resistance :	20 mΩ Max
Operating Temperature :	-40°C to +105°C

Materials

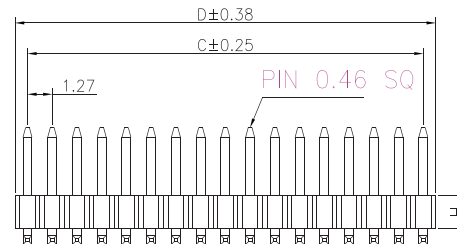
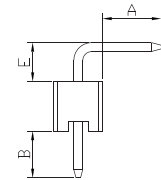
Contact Material :	Brass
Insulation Material :	High Temperature Thermoplastic, 94V-0 LCP



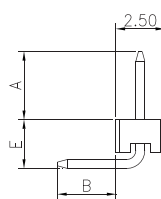
Mating with



R1 TYPE



R2 TYPE



* For Coded Dimension Not Inside The Table, Please Refer To "Ordering Information"

No. of Pins/Row	Dimension Information			No. of Pins/Row	Dimension Information			No. of Pins/Row	Dimension Information			No. of Pins/Row	Dimension Information		
	C	D			C	D			C	D			C	D	
02	1.27	2.54		14	16.51	17.78		27	33.02	34.29		40	49.53	50.80	
03	2.54	3.81		15	17.78	19.05		28	34.29	35.56		41	50.80	52.07	
04	3.81	5.08		16	19.05	20.32		29	35.56	36.83		42	52.07	53.34	
05	5.08	6.35		17	20.32	21.59		30	36.83	38.10		43	53.34	54.61	
06	6.35	7.62		18	21.59	22.86		31	38.10	39.37		44	54.61	55.88	
07	7.62	8.89		19	22.86	24.13		32	39.37	40.64		45	55.88	57.15	
08	8.89	10.16		20	24.13	25.40		33	40.64	41.91		46	57.15	57.42	
09	10.16	11.43		21	25.40	26.67		34	41.91	43.18		47	57.42	59.69	
10	11.43	12.70		22	26.67	27.94		35	43.18	44.45		48	59.69	60.96	
11	12.70	13.97		23	27.94	29.21		36	44.45	45.72		49	60.96	62.23	
12	13.97	15.24		24	29.21	30.48		37	45.72	46.99		50	62.23	63.50	
13	15.24	16.51		25	30.48	31.75		38	46.99	48.26					
				26	31.75	33.02		39	48.26	49.53					

Ordering Information

Standard Packaging : Tube

RGPEB1	<input checked="" type="checkbox"/> <input checked="" type="checkbox"/>	-	<input checked="" type="checkbox"/> <input checked="" type="checkbox"/>	<input checked="" type="checkbox"/> <input checked="" type="checkbox"/>	<input checked="" type="checkbox"/> <input checked="" type="checkbox"/> <input checked="" type="checkbox"/>	C1BC
	Height Option (H)		No. of Pins per Row	Standard Plating	Pin Length (A/B/E) (Type)	
	<input type="checkbox"/> 01 : H=2.54		<input type="checkbox"/> 02	<input type="checkbox"/> 02 : Gold Flash	<input type="checkbox"/> 033 : A=3.75 / B=2.80 / E=1.70 (R1)	
	<input type="checkbox"/> 15 : H=1.40		<input type="checkbox"/> ?	RGPEB101...A	<input type="checkbox"/> 005 : A=2.90 / B=2.45 / E=2.80 (R2)	
			<input type="checkbox"/> 50	RGPEB115...A		
				Selective Plating		
				<input type="checkbox"/> 01 : Tin		
				<input type="checkbox"/> 05 : Gold Flash / Tin		

For special length requirement
Please contact our sales personnel

Due to technical progress, all designs, specifications and components are subject to change without notice.

Pin Header ▶

pitch 1.27mm (0.05") | Single row | R/A

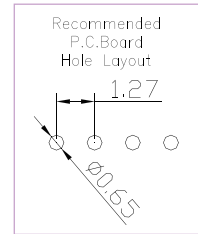
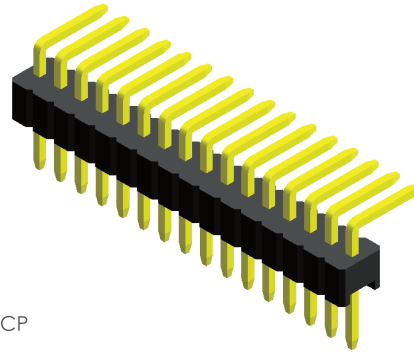
RGPEB108
RGPEB109
RGPEB111 Series

Specifications

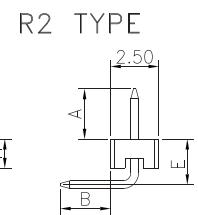
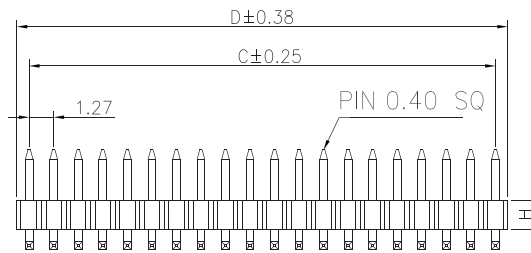
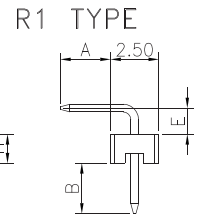
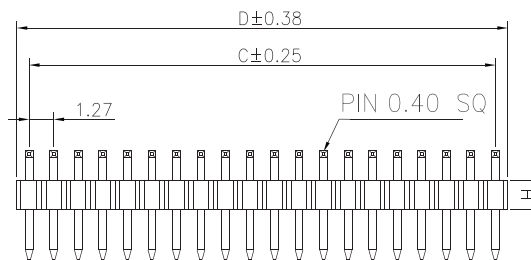
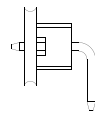
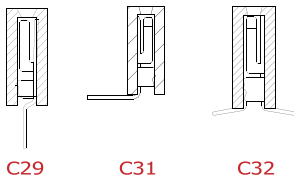
Current Rating : 1.0 Ampere
Insulation Resistance : 1000 MΩ Min
Dielectric Withstanding : 300V AC
Contact Resistance : 20 mΩ Max
Operating Temperature : -40°C to +105°C

Materials

Contact Material : Brass
Insulation Material : High Temperature Thermoplastic, 94V-0 LCP



Mating with



* For Coded Dimension Not Inside The Table, Please Refer To "Ordering Information"

No. of Pins/Row	Dimension Information			No. of Pins/Row	Dimension Information			No. of Pins/Row	Dimension Information			No. of Pins/Row	Dimension Information		
	C	D			C	D			C	D			C	D	
02	1.27	2.54		11	12.70	13.97		21	25.40	26.67		31	38.10	39.37	
03	2.54	3.81		12	13.97	15.24		22	26.67	27.94		32	39.37	40.64	
04	3.81	5.08		13	15.24	16.51		23	27.94	29.21		33	40.64	41.91	
05	5.08	6.35		14	16.51	17.78		24	29.21	30.48					
06	6.35	7.62		15	17.78	19.05		25	30.48	31.75					
07	7.62	8.89		16	19.05	20.32		26	31.75	33.02					
08	8.89	10.16		17	20.32	21.59		27	33.02	34.29					
09	10.16	11.43		18	21.59	22.86		28	34.29	35.56					
10	11.43	12.70		19	22.86	24.13		29	35.56	36.83					
				20	24.13	25.40		30	36.83	38.10					

Ordering Information

Standard Packaging : Box

RGPEB1	<input checked="" type="checkbox"/> <input checked="" type="checkbox"/>	-	<input checked="" type="checkbox"/> <input checked="" type="checkbox"/>	<input checked="" type="checkbox"/> <input checked="" type="checkbox"/>	<input checked="" type="checkbox"/> <input checked="" type="checkbox"/> <input checked="" type="checkbox"/>	C1BC
	Height Option (H)		No. of Pins per Row	Standard Plating	<input checked="" type="checkbox"/> A Pin Length (A/B/E) (Type)	
	<input type="checkbox"/> 08 : H=1.00 (Nylon 6T)		<input type="checkbox"/> 02	<input type="checkbox"/> 02 : Gold Flash	<input type="checkbox"/> 036 : A=2.50 / B=3.00 / E=2.50 (R1)	
	<input type="checkbox"/> 09 : H=1.50		<input type="checkbox"/> ?	RGPEB108...A	<input type="checkbox"/> 001 : A=3.00 / B=3.00 / E=3.00 (R2)	
	<input type="checkbox"/> 11 : H=2.00		<input type="checkbox"/> 33	RGPEB109...A	<input type="checkbox"/> 003 : A=4.00 / B=2.50 / E=2.40 (R1)	
				Selective Plating		
				<input type="checkbox"/> 01 : Tin		
				<input type="checkbox"/> 05 : Gold Flash / Tin		

For special length requirement
Please contact our sales personnel

Due to technical progress, all designs, specifications and components are subject to change without notice.

Pin Header

pitch 1.27mm (0.05") | Single row | R/A | Board spacer

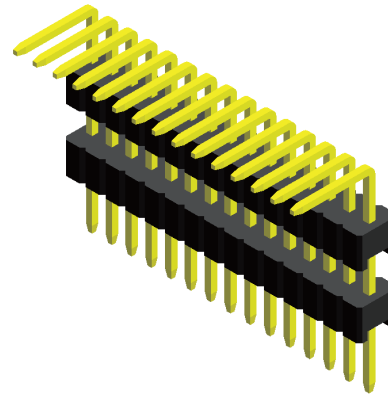
RGPEB135 Series

Specifications

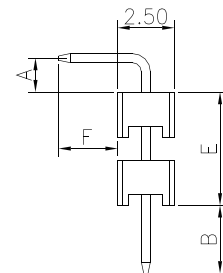
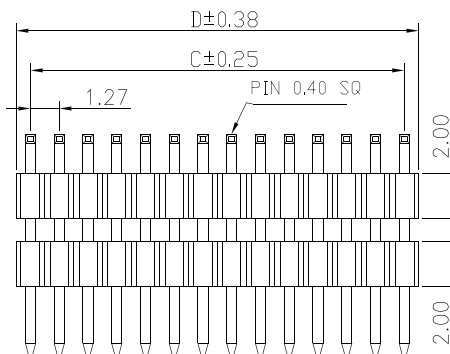
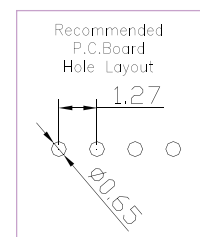
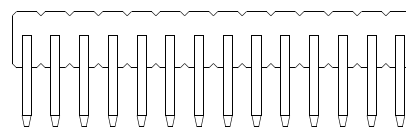
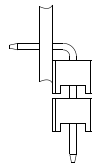
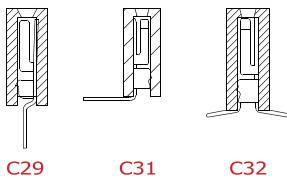
Current Rating :	1.0 Ampere
Insulation Resistance :	1000 MΩ Min
Dielectric Withstanding :	300V AC
Contact Resistance :	20 mΩ Max
Operating Temperature :	-40°C to +105°C

Materials

Contact Material :	Brass
Insulation Material :	High Temperature Thermoplastic, 94V-0 LCP



Mating with



* For Coded Dimension Not Inside The Table, Please Refer To "Ordering Information"

No. of Pins/Row	Dimension Information			No. of Pins/Row	Dimension Information			No. of Pins/Row	Dimension Information			No. of Pins/Row	Dimension Information		
	C	D			C	D			C	D			C	D	
02	1.27	2.54		11	12.70	13.97		21	25.40	26.67		31	38.10	39.37	
03	2.54	3.81		12	13.97	15.24		22	26.67	27.94		32	39.37	40.64	
04	3.81	5.08		13	15.24	16.51		23	27.94	29.21		33	40.64	41.91	
05	5.08	6.35		14	16.51	17.78		24	29.21	30.48					
06	6.35	7.62		15	17.78	19.05		25	30.48	31.75					
07	7.62	8.89		16	19.05	20.32		26	31.75	33.02					
08	8.89	10.16		17	20.32	21.59		27	33.02	34.29					
09	10.16	11.43		18	21.59	22.86		28	34.29	35.56					
10	11.43	12.70		19	22.86	24.13		29	35.56	36.83					
				20	24.13	25.40		30	36.83	38.10					

Ordering Information

Standard Packaging : Tube

RGPEB1	<input checked="" type="checkbox"/> <input checked="" type="checkbox"/>	-	<input checked="" type="checkbox"/> <input checked="" type="checkbox"/>	<input checked="" type="checkbox"/> <input checked="" type="checkbox"/>	<input checked="" type="checkbox"/> <input checked="" type="checkbox"/> <input checked="" type="checkbox"/>	C1BC
	Height Option (H)		No. of Pins per Row	Standard Plating	Pin Length (A/B/E/F)	
	<input type="text" value="35"/>		<input type="text" value="02"/>	<input type="text" value="02"/> : Gold Flash	<input type="text" value="002"/> : A=3.70/B=3.50/E=10.0/F=3.70	
			<input type="text" value="33"/>	Selective Plating	<input type="text" value="003"/> : A=3.10/B=3.50/E=6.00/F=3.70	
				<input type="text" value="01"/> : Tin	For special length requirement Please contact our sales personnel	
				<input type="text" value="05"/> : Gold Flash / Tin		

Due to technical progress, all designs, specifications and components are subject to change without notice.

Pin Header

pitch 1.27mm (0.05") | Single row | S.M.T.

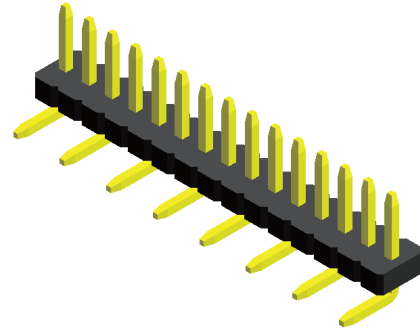
RGPEC108
RGPEC109
RGPEC111 Series

Specifications

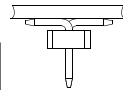
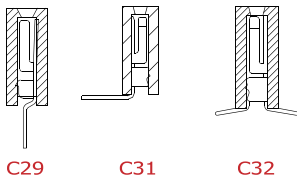
Current Rating :	1.0 Ampere
Insulation Resistance :	1000 MΩ Min
Dielectric Withstanding :	300V AC
Contact Resistance :	20 mΩ Max
Operating Temperature :	-40°C to +105°C

Materials

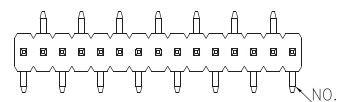
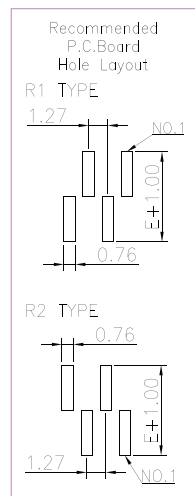
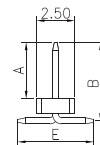
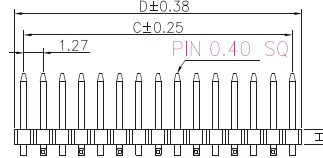
Contact Material :	Brass
Insulation Material :	High Temperature Thermoplastic, 94V-0 LCP



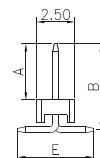
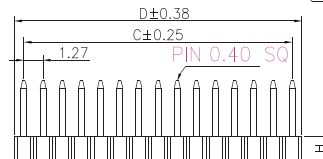
Mating with



R1 TYPE



R2 TYPE



* For Coded Dimension Not Inside The Table, Please Refer To "Ordering Information"

No. of Pins/Row	Dimension Information			No. of Pins/Row	Dimension Information			No. of Pins/Row	Dimension Information			No. of Pins/Row	Dimension Information		
	C	D			C	D			C	D			C	D	
02	1.27	2.54		11	12.70	13.97		21	25.40	26.67		31	38.10	39.37	
03	2.54	3.81		12	13.97	15.24		22	26.67	27.94		32	39.37	40.64	
04	3.81	5.08		13	15.24	16.51		23	27.94	29.21		33	40.64	41.91	
05	5.08	6.35		14	16.51	17.78		24	29.21	30.48					
06	6.35	7.62		15	17.78	19.05		25	30.48	31.75					
07	7.62	8.89		16	19.05	20.32		26	31.75	33.02					
08	8.89	10.16		17	20.32	21.59		27	33.02	34.29					
09	10.16	11.43		18	21.59	22.86		28	34.29	35.56					
10	11.43	12.70		19	22.86	24.13		29	35.56	36.83					
				20	24.13	25.40		30	36.83	38.10					

Ordering Information

Standard Packaging : Tube

RGPEC1	<input checked="" type="checkbox"/> <input checked="" type="checkbox"/>	-	<input checked="" type="checkbox"/> <input checked="" type="checkbox"/>	<input checked="" type="checkbox"/> <input checked="" type="checkbox"/>	<input checked="" type="checkbox"/> <input checked="" type="checkbox"/> <input checked="" type="checkbox"/>	C1BC
	Height Option (H)		No. of Pins per Row	Standard Plating	<input checked="" type="checkbox"/> <input checked="" type="checkbox"/> <input checked="" type="checkbox"/>	Pin Length (A/B/E) (Type)
	<input type="checkbox"/> 08 : H=1.00 (Nylon 6T)		<input type="checkbox"/> 02	<input type="checkbox"/> 02 : Gold Flash	<input type="checkbox"/> 009	: A=3.00 / B=4.30 / E=5.50 (R2)
	<input type="checkbox"/> 09 : H=1.50		<input type="checkbox"/> ?	<input type="checkbox"/> 03 : Gold Flash	<input type="checkbox"/> 024	: A=3.00 / B=4.80 / E=5.50 (R1)
	<input type="checkbox"/> 11 : H=2.00		<input type="checkbox"/> 33	<input type="checkbox"/> 04 : Gold Flash / Tin	<input type="checkbox"/> 004	: A=3.00 / B=1.70 / E=5.50 (R2)
				<input type="checkbox"/> 05 : Gold Flash / Tin	<input type="checkbox"/> 003	: A=5.00 / B=7.20 / E=5.00 (R1)

For special length requirement
Please contact our sales personnel

Due to technical progress, all designs, specifications and components are subject to change without notice.

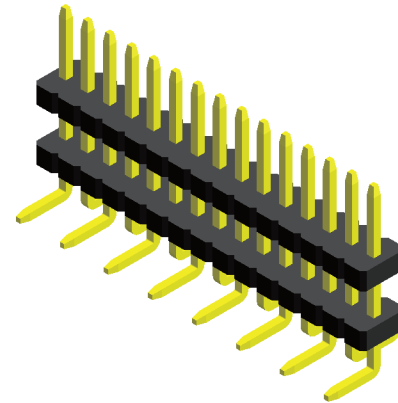
Pin Header

pitch 1.27mm (0.05") | Single row | S.M.T. | Board spacer

RGPEC132 Series

Specifications

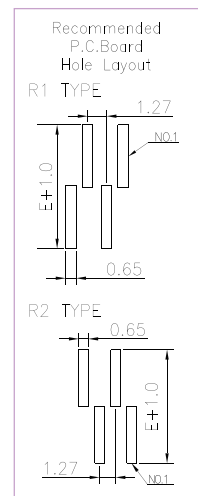
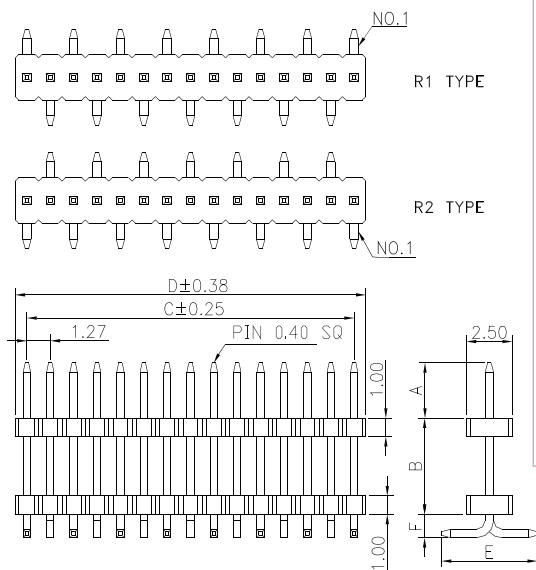
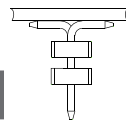
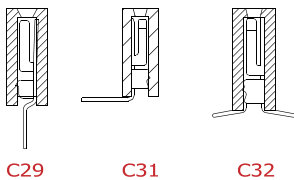
Current Rating :	1.0 Ampere
Insulation Resistance :	1000 MΩ Min
Dielectric Withstanding :	300V AC
Contact Resistance :	20 mΩ Max
Operating Temperature :	-40°C to +105°C



Materials

Contact Material :	Brass
Insulation Material :	High Temperature Thermoplastic, 94V-0 Nylon

Mating with



* For Coded Dimension Not Inside The Table, Please Refer To "Ordering Information"

No. of Pins/Row	Dimension Information			No. of Pins/Row	Dimension Information			No. of Pins/Row	Dimension Information			No. of Pins/Row	Dimension Information		
	C	D			C	D			C	D			C	D	
				11	12.70	13.97		21	25.40	26.67		31	38.10	39.37	
03	2.54	3.81		12	13.97	15.24		22	26.67	27.94		32	39.37	40.64	
04	3.81	5.08		13	15.24	16.51		23	27.94	29.21		33	40.64	41.91	
05	5.08	6.35		14	16.51	17.78		24	29.21	30.48					
06	6.35	7.62		15	17.78	19.05		25	30.48	31.75					
07	7.62	8.89		16	19.05	20.32		26	31.75	33.02					
08	8.89	10.16		17	20.32	21.59		27	33.02	34.29					
09	10.16	11.43		18	21.59	22.86		28	34.29	35.56					
10	11.43	12.70		19	22.86	24.13		29	35.56	36.83					
				20	24.13	25.40		30	36.83	38.10					

Ordering Information

Standard Packaging : Tube

RGPEC1	<input checked="" type="checkbox"/> <input checked="" type="checkbox"/>	-	<input checked="" type="checkbox"/> <input checked="" type="checkbox"/>	<input checked="" type="checkbox"/> <input checked="" type="checkbox"/>	<input checked="" type="checkbox"/> <input checked="" type="checkbox"/> <input checked="" type="checkbox"/>	R1BC
	Height Option (H)		No. of Pins per Row	Standard Plating	Pin Length (A/B/E/F) (Type)	
	<input type="checkbox"/> 32		<input type="checkbox"/> 03	<input type="checkbox"/> 02 : Gold Flash	<input type="checkbox"/> 004 : A=3.50/B=4.00/E=5.50/F=2.00 (R2)	
			<input type="checkbox"/> ?	Selective Plating	<input type="checkbox"/> 005 : A=3.00/B=2.00/E=4.50/F=0.68 (R1)	
			<input type="checkbox"/> 33	<input type="checkbox"/> 01 : Tin	For special length requirement	
				<input type="checkbox"/> 05 : Gold Flash / Tin	Please contact our sales personnel	

Due to technical progress, all designs, specifications and components are subject to change without notice.

Pin Header ▶

pitch 1.27x2.45mm (0.05"x0.1") | Dual row | Dip

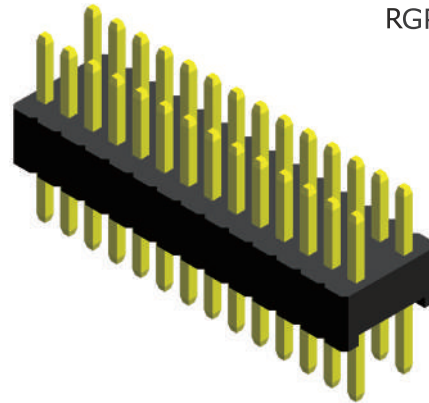
RGPEA201
RGPEA202
RGPEA203 Series

Specifications

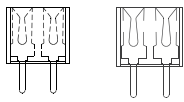
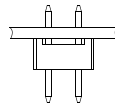
Current Rating :	1.0 Ampere
Insulation Resistance :	1000 MΩ Min
Dielectric Withstanding :	300V AC
Contact Resistance :	20 mΩ Max
Operating Temperature :	-40°C to +105°C

Materials

Contact Material :	Brass
Insulation Material :	High Temperature Thermoplastic, 94V-0 LCP

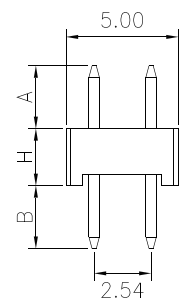
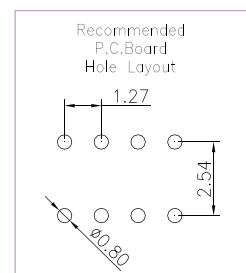
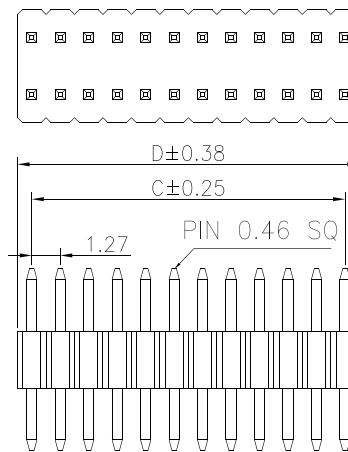


Mating with



C33

C36



* For Coded Dimension Not Inside The Table, Please Refer To "Ordering Information"

No. of Pins/Row	Dimension Information			No. of Pins/Row	Dimension Information			No. of Pins/Row	Dimension Information			No. of Pins/Row	Dimension Information		
	C	D			C	D			C	D			C	D	
02	1.27	2.54		11	12.70	13.97		21	25.40	26.67		31	38.10	39.37	
03	2.54	3.81		12	13.97	15.24		22	26.67	27.94		32	39.37	40.64	
04	3.81	5.08		13	15.24	16.51		23	27.94	29.21		33	40.64	41.91	
05	5.08	6.35		14	16.51	17.78		24	29.21	30.48		34	41.91	43.18	
06	6.35	7.62		15	17.78	19.05		25	30.48	31.75		35	43.18	44.45	
07	7.62	8.89		16	19.05	20.32		26	31.75	33.02		36	44.45	45.72	
08	8.89	10.16		17	20.32	21.59		27	33.02	34.29		37	45.72	46.99	
09	10.16	11.43		18	21.59	22.86		28	34.29	35.56		38	46.99	48.26	
10	11.43	12.70		19	22.86	24.13		29	35.56	36.83		39	48.26	49.53	
				20	24.13	25.40		30	36.83	38.10		40	49.53	50.80	

Ordering Information

Standard Packaging : Box

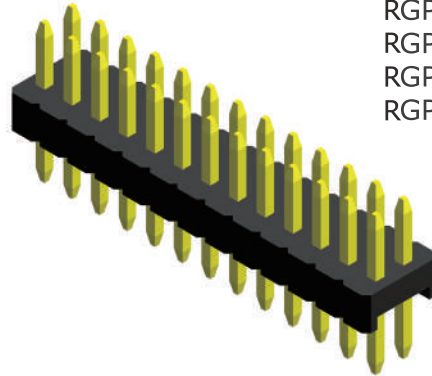
RGPEA2	<input checked="" type="checkbox"/> <input checked="" type="checkbox"/>	-	<input checked="" type="checkbox"/> <input checked="" type="checkbox"/>	<input checked="" type="checkbox"/> <input checked="" type="checkbox"/>	<input checked="" type="checkbox"/> <input checked="" type="checkbox"/> <input checked="" type="checkbox"/>	C1BA
	Height Option (H)		No. of Pins per Row	Standard Plating	Pin Length (A / B)	
	<input type="checkbox"/> 01 : H=2.54		<input type="checkbox"/> 02	<input type="checkbox"/> 02 : Gold Flash	<input type="checkbox"/> 067 : A=3.00 / B=3.00	
	<input type="checkbox"/> 02 : H=3.00		<input type="checkbox"/> ?	RGPEA201...A	<input type="checkbox"/> 002 : A=2.80 / B=5.60	
	<input type="checkbox"/> 03 : H=1.70		<input type="checkbox"/> 40	RGPEA202...A	<input type="checkbox"/> 013 : A=2.00 / B=2.50	
				RGPEA203...A		
				Selective Plating	For special length requirement Please contact our sales personnel	
				<input type="checkbox"/> 01 : Tin		
				<input type="checkbox"/> 05 : Gold Flash / Tin		

Due to technical progress, all designs, specifications and components are subject to change without notice.

Pin Header

pitch 1.27mm (0.05") | Dual row | Dip

RGPEA208
RGPEA209
RGPEA210
RGPEA211
RGPEA212
RGPEA214 Series



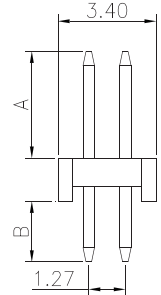
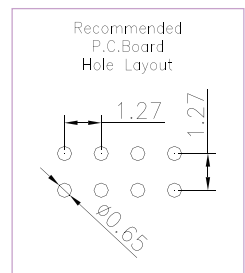
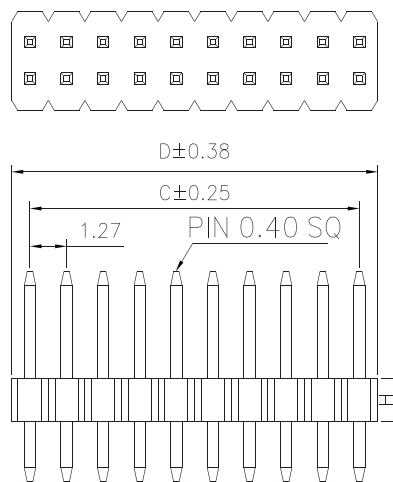
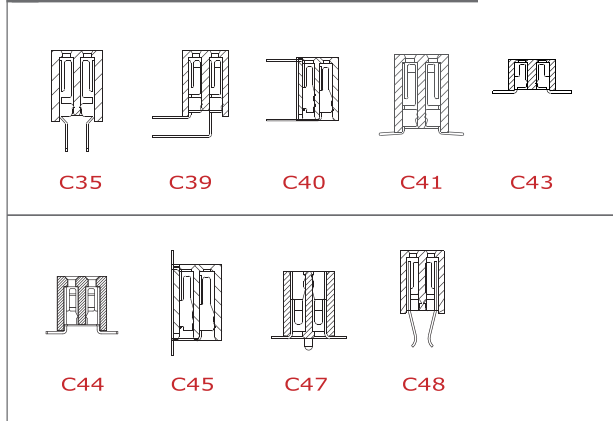
Specifications

Current Rating : 1.0 Ampere
Insulation Resistance : 1000 MΩ Min
Dielectric Withstanding : 300V AC
Contact Resistance : 20 mΩ Max
Operating Temperature : -40°C to +105°C

Materials

Contact Material : Brass
Insulation Material : High Temperature Thermoplastic, 94V-0 LCP

Mating with



* For Coded Dimension Not Inside The Table, Please Refer To "Ordering Information"

No. of Pins/Row	Dimension Information			No. of Pins/Row	Dimension Information			No. of Pins/Row	Dimension Information			No. of Pins/Row	Dimension Information		
	C	D			C	D			C	D			C	D	
02	1.27	2.54		11	12.70	13.97		21	25.40	26.67		31	38.10	39.37	
03	2.54	3.81		12	13.97	15.24		22	26.67	27.94		32	39.37	40.64	
04	3.81	5.08		13	15.24	16.51		23	27.94	29.21		33	40.64	41.91	
05	5.08	6.35		14	16.51	17.78		24	29.21	30.48		34	41.91	43.18	
06	6.35	7.62		15	17.78	19.05		25	30.48	31.75		35	43.18	44.45	
07	7.62	8.89		16	19.05	20.32		26	31.75	33.02		36	44.45	45.72	
08	8.89	10.16		17	20.32	21.59		27	33.02	34.29		37	45.72	46.99	
09	10.16	11.43		18	21.59	22.86		28	34.29	35.56		38	46.99	48.26	
10	11.43	12.70		19	22.86	24.13		29	35.56	36.83		39	48.26	49.53	
				20	24.13	25.40		30	36.83	38.10		40	49.53	50.80	

Ordering Information

RGPEA2	XX	-	XX	XX	X	XXX	C1BA
	Height Option (H)		No. of Pins per Row	Standard Plating	A	Pin Length (A / B)	
	08 : H=1.00		02	02 : Gold Flash		002 : A=2.00 / B=2.70	
	09 : H=1.50		?			020 : A=3.00 / B=1.50	
	10 : H=1.70		40	Selective Plating		012 : A=2.80 / B=2.60	
	11 : H=2.00			01 : Tin		003 : A=2.80 / B=2.00	
	12 : H=2.50					001 : A=2.80 / B=2.00	
	14 : H=3.00			05 : Gold Flash / Tin		005 : A=4.00 / B=3.00	
							For special length requirement Please contact our sales personnel

Due to technical progress, all designs, specifications and components are subject to change without notice.

Pin Header

pitch 1.27x2.45mm (0.05"x0.1") | Dual row | Dip | Board spacer

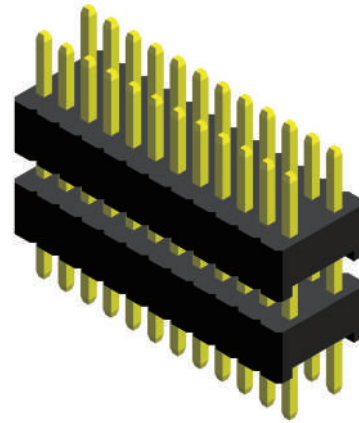
RGPEA221 Series

Specifications

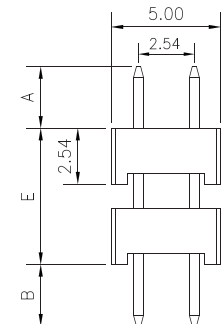
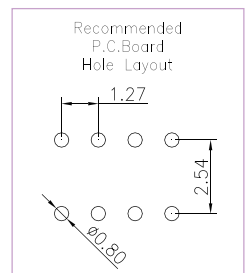
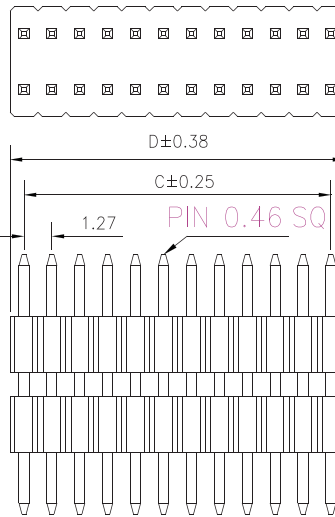
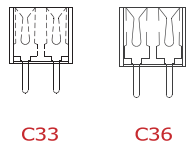
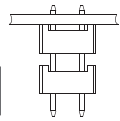
Current Rating : 1.0 Ampere
 Insulation Resistance : 1000 MΩ Min
 Dielectric Withstanding : 300V AC
 Contact Resistance : 20 mΩ Max
 Operating Temperature : -40°C to +105°C

Materials

Contact Material : Brass
 Insulation Material : High Temperature Thermoplastic, 94V-0 LCP



Mating with



* For Coded Dimension Not Inside The Table, Please Refer To "Ordering Information"

No. of Pins/Row	Dimension Information			No. of Pins/Row	Dimension Information			No. of Pins/Row	Dimension Information			No. of Pins/Row	Dimension Information		
	C	D			C	D			C	D			C	D	
02	1.27	2.54		11	12.70	13.97		21	25.40	26.67		31	38.10	39.37	
03	2.54	3.81		12	13.97	15.24		22	26.67	27.94		32	39.37	40.64	
04	3.81	5.08		13	15.24	16.51		23	27.94	29.21		33	40.64	41.91	
05	5.08	6.35		14	16.51	17.78		24	29.21	30.48		34	41.91	43.18	
06	6.35	7.62		15	17.78	19.05		25	30.48	31.75		35	43.18	44.45	
07	7.62	8.89		16	19.05	20.32		26	31.75	33.02		36	44.45	45.72	
08	8.89	10.16		17	20.32	21.59		27	33.02	34.29		37	45.72	46.99	
09	10.16	11.43		18	21.59	22.86		28	34.29	35.56		38	46.99	48.26	
10	11.43	12.70		19	22.86	24.13		29	35.56	36.83		39	48.26	49.53	
				20	24.13	25.40		30	36.83	38.10		40	49.53	50.80	

Ordering Information

RGPEA2	<input checked="" type="checkbox"/> <input checked="" type="checkbox"/>	-	<input checked="" type="checkbox"/> <input checked="" type="checkbox"/>	<input checked="" type="checkbox"/> <input checked="" type="checkbox"/>	<input checked="" type="checkbox"/> <input checked="" type="checkbox"/> <input checked="" type="checkbox"/>	C1BA
Height Option (H)	<input type="checkbox"/> 21	No. of Pins per Row	<input type="checkbox"/> 02 <input type="checkbox"/> ? <input type="checkbox"/> 40	Standard Plating	<input type="checkbox"/> A Pin Length (A / B / E)	
				<input type="checkbox"/> 02 : Gold Flash	<input type="checkbox"/> 017 : A=3.00 / B=3.00 / E=15.4 <input type="checkbox"/> 019 : A=2.50 / B=2.50 / E=5.08	
				Selective Plating	For special length requirement Please contact our sales personnel	
				<input type="checkbox"/> 01 : Tin		
				<input type="checkbox"/> 05 : Gold Flash / Tin		

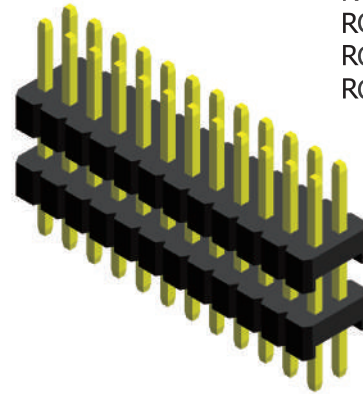
Standard Packaging : Box

Due to technical progress, all designs, specifications and components are subject to change without notice.

Pin Header

pitch 1.27mm (0.05") | Dual row | Dip | Board spacer

RGPEA230
RGPEA231
RGPEA232
RGPEA233
RGPEA235 Series



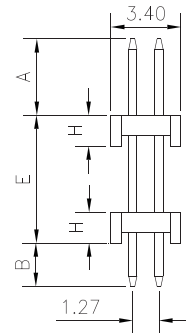
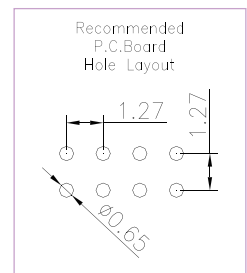
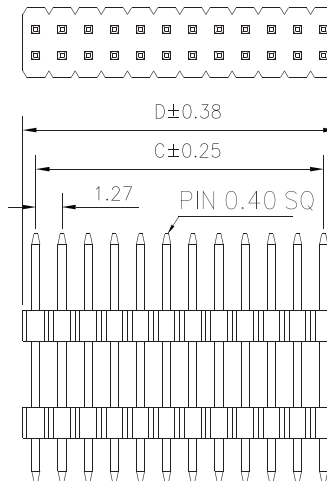
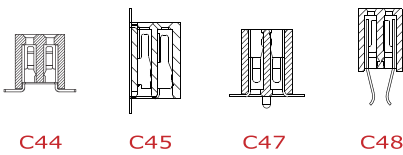
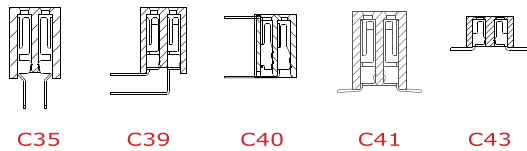
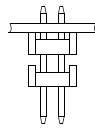
Specifications

Current Rating :	1.0 Ampere
Insulation Resistance :	1000 MΩ Min
Dielectric Withstanding :	300V AC
Contact Resistance :	20 mΩ Max
Operating Temperature :	-40°C to +105°C

Materials

Contact Material :	Brass
Insulation Material :	High Temperature Thermoplastic, 94V-0 LCP

Mating with



* For Coded Dimension Not Inside The Table, Please Refer To "Ordering Information"

No. of Pins/Row	Dimension Information			No. of Pins/Row	Dimension Information			No. of Pins/Row	Dimension Information			No. of Pins/Row	Dimension Information		
	C	D			C	D			C	D			C	D	
02	1.27	2.54		11	12.70	13.97		21	25.40	26.67		31	38.10	39.37	
03	2.54	3.81		12	13.97	15.24		22	26.67	27.94		32	39.37	40.64	
04	3.81	5.08		13	15.24	16.51		23	27.94	29.21		33	40.64	41.91	
05	5.08	6.35		14	16.51	17.78		24	29.21	30.48					
06	6.35	7.62		15	17.78	19.05		25	30.48	31.75					
07	7.62	8.89		16	19.05	20.32		26	31.75	33.02					
08	8.89	10.16		17	20.32	21.59		27	33.02	34.29					
09	10.16	11.43		18	21.59	22.86		28	34.29	35.56					
10	11.43	12.70		19	22.86	24.13		29	35.56	36.83					
				20	24.13	25.40		30	36.83	38.10					

Ordering Information

Standard Packaging : Box

RGPEA2	<input type="checkbox"/> <input type="checkbox"/>	-	<input type="checkbox"/> <input type="checkbox"/>	<input type="checkbox"/> <input type="checkbox"/>	<input type="checkbox"/> <input type="checkbox"/> <input type="checkbox"/>	C1BA
Height Option (H) Standard		No. of Pins per Row		Standard Plating		Pin Length (A / B / E)
<input type="checkbox"/> 30 : H= 3.00 <input type="checkbox"/> 31 : H= 2.50		<input type="checkbox"/> 02		<input type="checkbox"/> 02 : Gold Flash RGPEA230...A		<input type="checkbox"/> 002 : A=1.90 / B=2.60 / E=9.90
Height Option (H) Selective		?		<input type="checkbox"/> 05 : Gold Flash / Tin		<input type="checkbox"/> 020 : A=2.80 / B=3.00 / E=6.20
<input type="checkbox"/> 32 : H= 1.00 <input type="checkbox"/> 33 : H= 1.50 <input type="checkbox"/> 35 : H= 2.00		<input type="checkbox"/> 33		Selective Plating		For special length requirement Please contact our sales personnel
				<input type="checkbox"/> 01 : Tin		

Due to technical progress, all designs, specifications and components are subject to change without notice.

Pin Header

pitch 1.27x2.45mm (0.05"x0.1") | Dual row | R/A

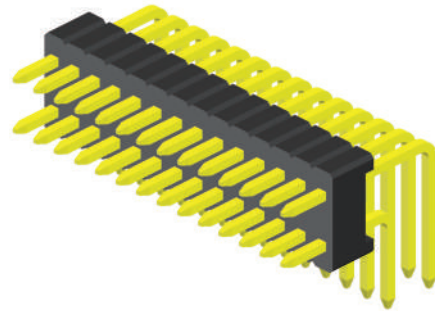
RGPEB201
RGPEB203 Series

Specifications

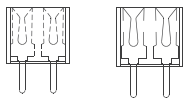
Current Rating :	1.0 Ampere
Insulation Resistance :	1000 MΩ Min
Dielectric Withstanding :	300V AC
Contact Resistance :	20 mΩ Max
Operating Temperature :	-40°C to +105°C

Materials

Contact Material :	Brass
Insulation Material :	High Temperature Thermoplastic, 94V-0 LCP

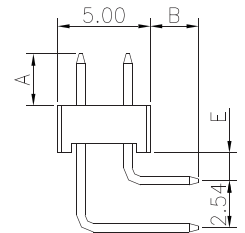
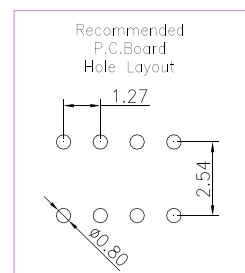
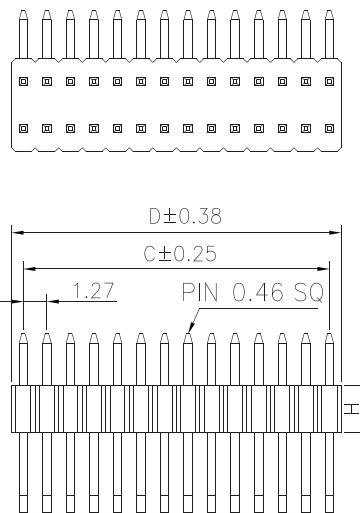
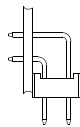


Mating with



C33

C36



* For Coded Dimension Not Inside The Table, Please Refer To "Ordering Information"

No. of Pins/Row	Dimension Information			No. of Pins/Row	Dimension Information			No. of Pins/Row	Dimension Information			No. of Pins/Row	Dimension Information		
	C	D			C	D			C	D			C	D	
02	1.27	2.54		11	12.70	13.97		21	25.40	26.67		31	38.10	39.37	
03	2.54	3.81		12	13.97	15.24		22	26.67	27.94		32	39.37	40.64	
04	3.81	5.08		13	15.24	16.51		23	27.94	29.21		33	40.64	41.91	
05	5.08	6.35		14	16.51	17.78		24	29.21	30.48		34	41.91	43.18	
06	6.35	7.62		15	17.78	19.05		25	30.48	31.75		35	43.18	44.45	
07	7.62	8.89		16	19.05	20.32		26	31.75	33.02		36	44.45	45.72	
08	8.89	10.16		17	20.32	21.59		27	33.02	34.29		37	45.72	46.99	
09	10.16	11.43		18	21.59	22.86		28	34.29	35.56		38	46.99	48.26	
10	11.43	12.70		19	22.86	24.13		29	35.56	36.83		39	48.26	49.53	
				20	24.13	25.40		30	36.83	38.10		40	49.53	50.80	

Ordering Information

Standard Packaging : Tube

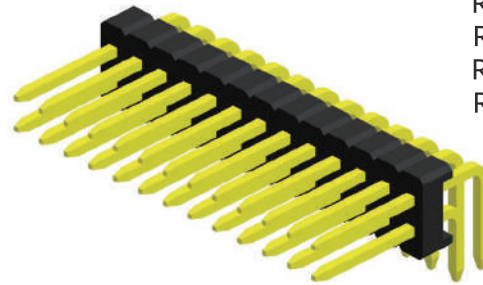
RGPEB2	<input checked="" type="checkbox"/> <input checked="" type="checkbox"/>	-	<input checked="" type="checkbox"/> <input checked="" type="checkbox"/>	<input checked="" type="checkbox"/> <input checked="" type="checkbox"/>	<input checked="" type="checkbox"/> <input checked="" type="checkbox"/> <input checked="" type="checkbox"/>	C1BA
	Height Option (H)		No. of Pins per Row	Standard Plating	<input checked="" type="checkbox"/> A Pin Length (A / B / E)	
	<input type="checkbox"/> 01 : H=2.54		<input type="checkbox"/> 02	<input type="checkbox"/> 02 : Gold Flash	<input type="checkbox"/> 024 : A=3.80 / B=2.00 / E=2.50	
	<input type="checkbox"/> 03 : H=1.70		<input type="checkbox"/> ?	RGPEB201...A	<input type="checkbox"/> 003 : A=3.05 / B=2.54 / E=0.85	
			<input type="checkbox"/> 40	RGPEB203...A		
				Selective Plating		
				<input type="checkbox"/> 01 : Tin		
				<input type="checkbox"/> 05 : Gold Flash / Tin		
					For special length requirement Please contact our sales personnel	

Due to technical progress, all designs, specifications and components are subject to change without notice.

Pin Header ▶

pitch 1.27mm (0.05") | Dual row | R/A

RGPEB208
 RGPEB209
 RGPEB210
 RGPEB211
 RGPEB212
 RGPEB213
 RGPEB214 Series



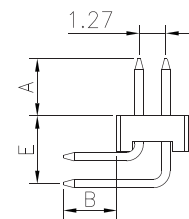
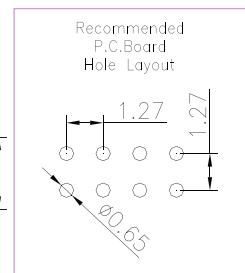
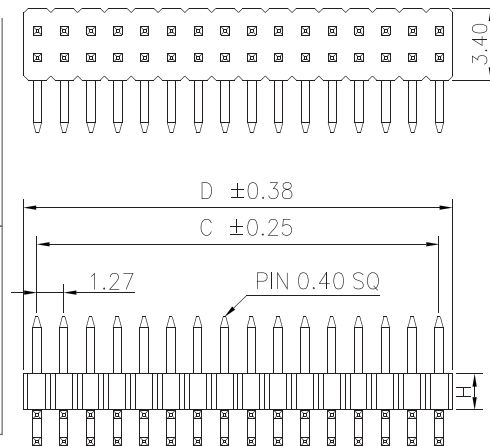
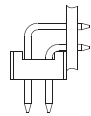
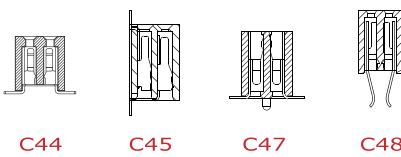
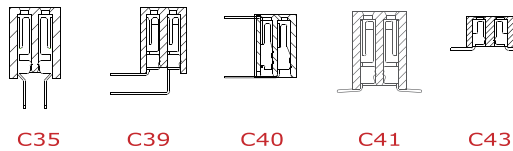
Specifications

Current Rating : 1.0 Ampere
 Insulation Resistance : 1000 MΩ Min
 Dielectric Withstanding : 300V AC
 Contact Resistance : 20 mΩ Max
 Operating Temperature : -40°C to +105°C

Materials

Contact Material : Brass
 Insulation Material : High Temperature Thermoplastic, 94V-0 LCP

Mating with



* For Coded Dimension Not Inside The Table, Please Refer To "Ordering Information"

No. of Pins/Row	Dimension Information			No. of Pins/Row	Dimension Information			No. of Pins/Row	Dimension Information			No. of Pins/Row	Dimension Information		
	C	D			C	D			C	D			C	D	
02	1.27	2.54		11	12.70	13.97		21	25.40	26.67		31	38.10	39.37	
03	2.54	3.81		12	13.97	15.24		22	26.67	27.94		32	39.37	40.64	
04	3.81	5.08		13	15.24	16.51		23	27.94	29.21		33	40.64	41.91	
05	5.08	6.35		14	16.51	17.78		24	29.21	30.48					
06	6.35	7.62		15	17.78	19.05		25	30.48	31.75					
07	7.62	8.89		16	19.05	20.32		26	31.75	33.02					
08	8.89	10.16		17	20.32	21.59		27	33.02	34.29					
09	10.16	11.43		18	21.59	22.86		28	34.29	35.56					
10	11.43	12.70		19	22.86	24.13		29	35.56	36.83					
				20	24.13	25.40		30	36.83	38.10					

Ordering Information

Standard Packaging : Tube

RGPEB2	<input checked="" type="checkbox"/> <input checked="" type="checkbox"/>	-	<input checked="" type="checkbox"/> <input checked="" type="checkbox"/>	<input checked="" type="checkbox"/> <input checked="" type="checkbox"/>	<input checked="" type="checkbox"/> <input checked="" type="checkbox"/> <input checked="" type="checkbox"/>	C1BC
	Height Option (H)		No. of Pins per Row	Standard Plating	<input checked="" type="checkbox"/> <input checked="" type="checkbox"/> <input checked="" type="checkbox"/>	Pin Length (A / B / E)
	<input type="checkbox"/> 08 : H=1.00		<input type="checkbox"/> 02	<input type="checkbox"/> 02 : Gold Flash	<input type="checkbox"/> 021 : A=1.80 / B=2.00 / E=3.00	
	<input type="checkbox"/> 09 : H=1.50		<input type="checkbox"/> ?		<input type="checkbox"/> 005 : A=2.00 / B=2.60 / E=3.97	
	<input type="checkbox"/> 10 : H=1.70		<input type="checkbox"/> 33	Selective Plating	<input type="checkbox"/> 002 : A=2.00 / B=2.00 / E=4.30	
	<input type="checkbox"/> 11 : H=2.00			<input type="checkbox"/> 01 : Tin	<input type="checkbox"/> 006 : A=3.00 / B=3.00 / E=4.07	
	<input type="checkbox"/> 12 : H=2.50				<input type="checkbox"/> 010 : A=1.65 / B=2.30 / E=4.77	
	<input type="checkbox"/> 13 : H=2.70				<input type="checkbox"/> 018 : A=3.10 / B=2.30 / E=4.37	
	<input type="checkbox"/> 14 : H=3.00			<input type="checkbox"/> 05 : Gold Flash / Tin	<input type="checkbox"/> 003 : A=3.00 / B=2.50 / E=4.20	
					For special length requirement Please contact our sales personnel	

Due to technical progress, all designs, specifications and components are subject to change without notice.

Pin Header

pitch 1.27mm (0.05") | Dual row | R/A | Board spacer

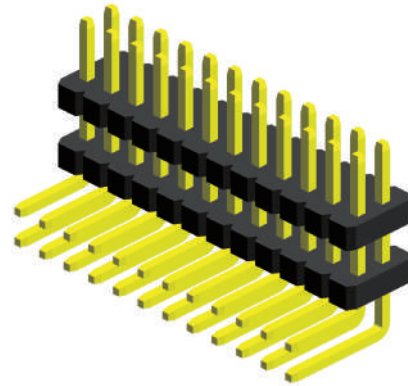
RGPEB232
RGPEB233 Series

Specifications

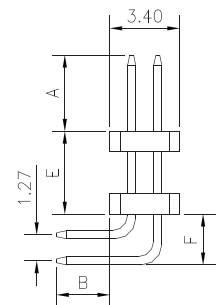
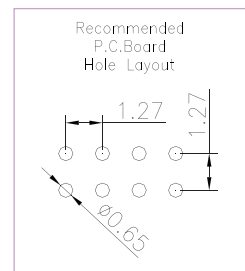
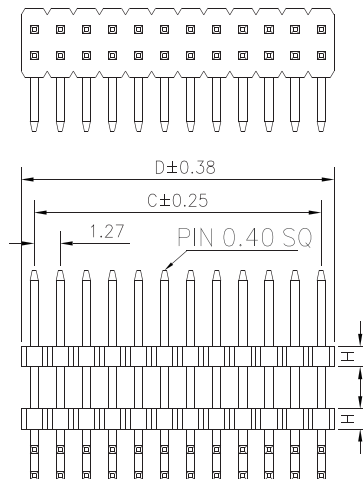
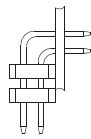
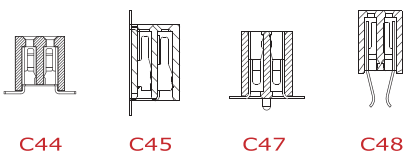
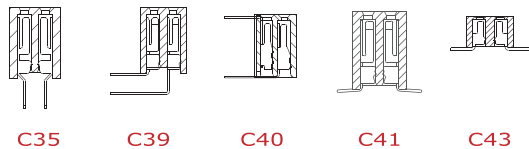
Current Rating :	1.0 Ampere
Insulation Resistance :	1000 MΩ Min
Dielectric Withstanding :	300V AC
Contact Resistance :	20 mΩ Max
Operating Temperature :	-40°C to +105°C

Materials

Contact Material :	Brass
Insulation Material :	High Temperature Thermoplastic, 94V-0 LCP



Mating with



* For Coded Dimension Not Inside The Table, Please Refer To "Ordering Information"

No. of Pins/Row	Dimension Information			No. of Pins/Row	Dimension Information			No. of Pins/Row	Dimension Information			No. of Pins/Row	Dimension Information		
	C	D		C	D		C	D		C	D		C	D	
02	1.27	2.54		11	12.70	13.97		21	25.40	26.67		31	38.10	39.37	
03	2.54	3.81		12	13.97	15.24		22	26.67	27.94		32	39.37	40.64	
04	3.81	5.08		13	15.24	16.51		23	27.94	29.21		33	40.64	41.91	
05	5.08	6.35		14	16.51	17.78		24	29.21	30.48					
06	6.35	7.62		15	17.78	19.05		25	30.48	31.75					
07	7.62	8.89		16	19.05	20.32		26	31.75	33.02					
08	8.89	10.16		17	20.32	21.59		27	33.02	34.29					
09	10.16	11.43		18	21.59	22.86		28	34.29	35.56					
10	11.43	12.70		19	22.86	24.13		29	35.56	36.83					
				20	24.13	25.40		30	36.83	38.10					

Ordering Information

Standard Packaging : Tube

RGPEB2	<input checked="" type="checkbox"/> <input checked="" type="checkbox"/>	-	<input checked="" type="checkbox"/> <input checked="" type="checkbox"/>	<input checked="" type="checkbox"/> <input checked="" type="checkbox"/>	<input checked="" type="checkbox"/> <input checked="" type="checkbox"/> <input checked="" type="checkbox"/>	C1BC
	Height Option (H)		No. of Pins per Row	Standard Plating	Pin Length (A / B / E / F)	
	<input type="checkbox"/> 32 : H=1.00		<input type="checkbox"/> 02	<input type="checkbox"/> 02 : Gold Flash	<input type="checkbox"/> 014 : A=7.00/B=2.60/E=4.00/F=4.20	
	<input type="checkbox"/> 33 : H=1.50		<input type="checkbox"/> ?	<input type="checkbox"/> 05 : Gold Flash / Tin	<input type="checkbox"/> 007 : A=2.50/B=4.20/E=4.30/F=4.17	
			<input type="checkbox"/> 33		For special length requirement Please contact our sales personnel	

Due to technical progress, all designs, specifications and components are subject to change without notice.

Pin Header ▶

pitch 1.27x2.45mm (0.05"x0.1") | Dual row | S.M.T.

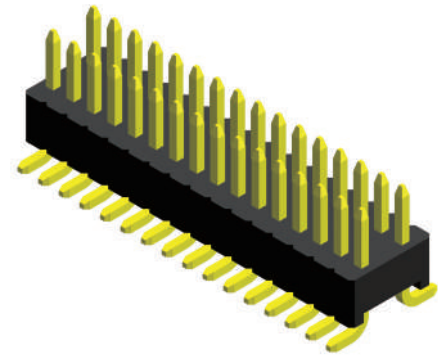
RGPEC201
RGPEC203 Series

Specifications

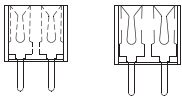
Current Rating :	1.0 Ampere
Insulation Resistance :	1000 MΩ Min
Dielectric Withstanding :	300V AC
Contact Resistance :	20 mΩ Max
Operating Temperature :	-40°C to +105°C

Materials

Contact Material :	Brass
Insulation Material :	High Temperature Thermoplastic, 94V-0 LCP

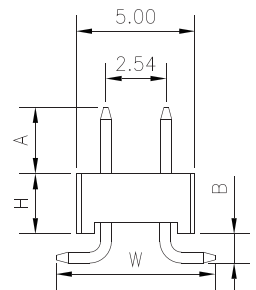
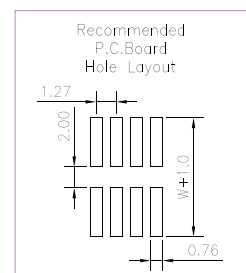
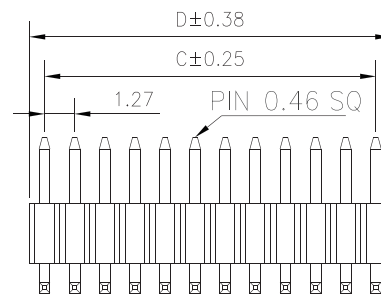
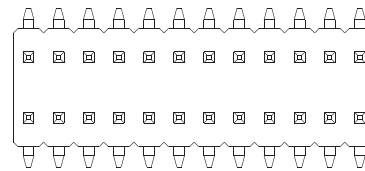
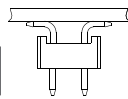


Mating with



C33

C36



* For Coded Dimension Not Inside The Table, Please Refer To "Ordering Information"

No. of Pins/Row	Dimension Information			No. of Pins/Row	Dimension Information			No. of Pins/Row	Dimension Information			No. of Pins/Row	Dimension Information		
	C	D			C	D			C	D			C	D	
02	1.27	2.54		11	12.70	13.97		21	25.40	26.67		31	38.10	39.37	
03	2.54	3.81		12	13.97	15.24		22	26.67	27.94		32	39.37	40.64	
04	3.81	5.08		13	15.24	16.51		23	27.94	29.21		33	40.64	41.91	
05	5.08	6.35		14	16.51	17.78		24	29.21	30.48		34	41.91	43.18	
06	6.35	7.62		15	17.78	19.05		25	30.48	31.75		35	43.18	44.45	
07	7.62	8.89		16	19.05	20.32		26	31.75	33.02		36	44.45	45.72	
08	8.89	10.16		17	20.32	21.59		27	33.02	34.29		37	45.72	46.99	
09	10.16	11.43		18	21.59	22.86		28	34.29	35.56		38	46.99	48.26	
10	11.43	12.70		19	22.86	24.13		29	35.56	36.83		39	48.26	49.53	
				20	24.13	25.40		30	36.83	38.10		40	49.53	50.80	

Ordering Information

Standard Packaging : Tube

RGPEC2	<input checked="" type="checkbox"/> <input checked="" type="checkbox"/>	-	<input checked="" type="checkbox"/> <input checked="" type="checkbox"/>	<input checked="" type="checkbox"/> <input checked="" type="checkbox"/>	<input checked="" type="checkbox"/> <input checked="" type="checkbox"/> <input checked="" type="checkbox"/>	C1BC
	Height Option (H)		No. of Pins per Row	Standard Plating	<input checked="" type="checkbox"/> <input checked="" type="checkbox"/> <input checked="" type="checkbox"/>	Pin Length (A / B / W)
	<input type="checkbox"/> 01 : H=2.54		<input type="checkbox"/> 02	<input type="checkbox"/> 02 : Gold Flash	<input type="checkbox"/> 023	: A=3.00 / B=1.50 / W=6.50
	<input type="checkbox"/> 03 : H=1.70		<input type="checkbox"/> ?		<input type="checkbox"/> 009	: A=2.85 / B=1.27 / W=7.54
			<input type="checkbox"/> 40	Selective Plating		For special length requirement Please contact our sales personnel
				<input type="checkbox"/> 01 : Tin		
				<input type="checkbox"/> 05 : Gold Flash / Tin		

Due to technical progress, all designs, specifications and components are subject to change without notice.

Pin Header

pitch 1.27mm (0.05") | Dual row | S.M.T. | Locating peg

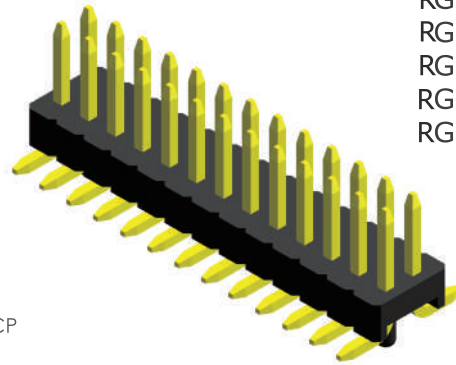
RGPEC208
RGPEC209
RGPEC210
RGPEC211
RGPEC212
RGPEC213
RGPEC214 Series

Specifications

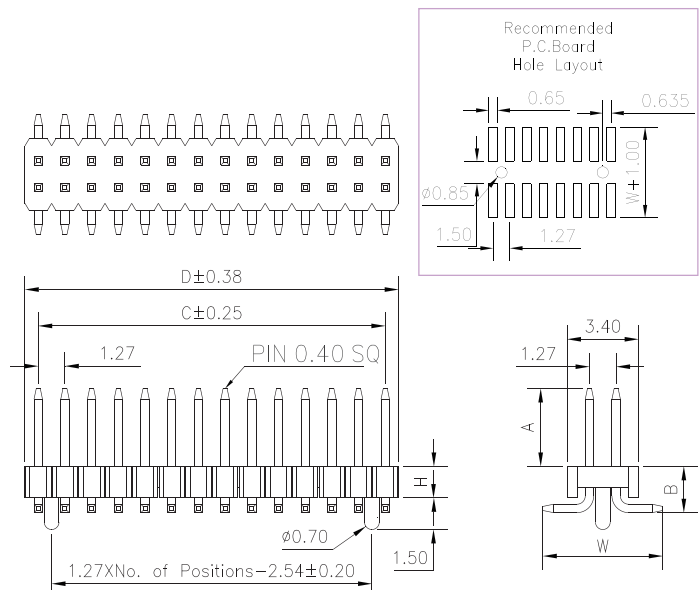
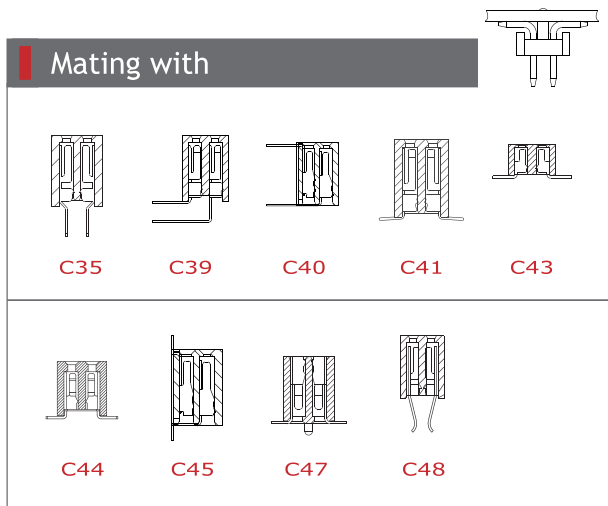
Current Rating :	1.0 Ampere
Insulation Resistance :	1000 MΩ Min
Dielectric Withstanding :	300V AC
Contact Resistance :	20 mΩ Max
Operating Temperature :	-40°C to +105°C

Materials

Contact Material :	Brass
Insulation Material :	High Temperature Thermoplastic, 94V-0 LCP



Mating with



* For Coded Dimension Not Inside The Table, Please Refer To "Ordering Information"

No. of Pins/Row	Dimension Information			No. of Pins/Row	Dimension Information			No. of Pins/Row	Dimension Information			No. of Pins/Row	Dimension Information		
	C	D			C	D			C	D			C	D	
02	1.27	2.54		11	12.70	13.97		21	25.40	26.67		31	38.10	39.37	
03	2.54	3.81		12	13.97	15.24		22	26.67	27.94		32	39.37	40.64	
04	3.81	5.08		13	15.24	16.51		23	27.94	29.21		33	40.64	41.91	
05	5.08	6.35		14	16.51	17.78		24	29.21	30.48					
06	6.35	7.62		15	17.78	19.05		25	30.48	31.75					
07	7.62	8.89		16	19.05	20.32		26	31.75	33.02					
08	8.89	10.16		17	20.32	21.59		27	33.02	34.29					
09	10.16	11.43		18	21.59	22.86		28	34.29	35.56					
10	11.43	12.70		19	22.86	24.13		29	35.56	36.83					
				20	24.13	25.40		30	36.83	38.10					

Ordering Information

Standard Packaging : Tube

RGPEC2	<input type="checkbox"/> <input type="checkbox"/>	-	<input type="checkbox"/> <input type="checkbox"/>	<input type="checkbox"/> <input type="checkbox"/>	<input type="checkbox"/> <input type="checkbox"/> <input type="checkbox"/>	C1BC
Height Option (H) Standard		No. of Pins per Row		Standard Plating		Pin Length (A / B / W)
<input type="checkbox"/> 08 : H= 1.00 <input type="checkbox"/> 09 : H= 1.50		<input type="checkbox"/> 02		<input type="checkbox"/> 02 : Gold Flash RGPEC208...B		<input type="checkbox"/> 019 : A=1.50 / B=1.50 / W=5.70
Height Option (H) Selective		? <input type="checkbox"/> 33		RGPEC209...B		<input type="checkbox"/> 009 : A=3.50 / B=2.00 / W=5.50
<input type="checkbox"/> 10 : H= 1.70				Selective Plating		For special length requirement
<input type="checkbox"/> 11 : H= 2.00				<input type="checkbox"/> 01 : Tin		Please contact our sales personnel
<input type="checkbox"/> 12 : H= 2.50				<input type="checkbox"/> 05 : Gold Flash / Tin		
<input type="checkbox"/> 13 : H= 2.70						
<input type="checkbox"/> 14 : H= 3.00						

Due to technical progress, all designs, specifications and components are subject to change without notice.

Pin Header

pitch 1.27mm (0.05") | Dual row | Dip | Board spacer

RGPEC231
RGPEC232
RGPEC233
RGPEC235
RGPEC238 Series

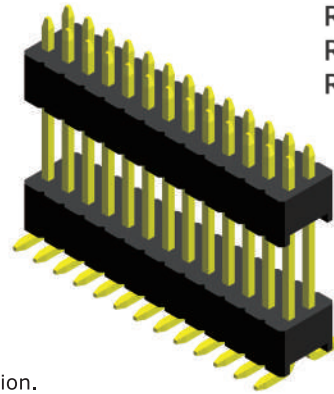
Specifications

Current Rating :	1.0 Ampere
Insulation Resistance :	1000 MΩ Min
Dielectric Withstanding :	300V AC
Contact Resistance :	20 mΩ Max
Operating Temperature :	-40°C to +105°C

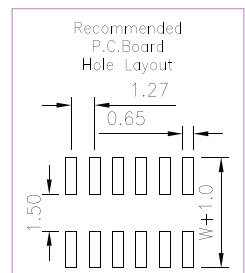
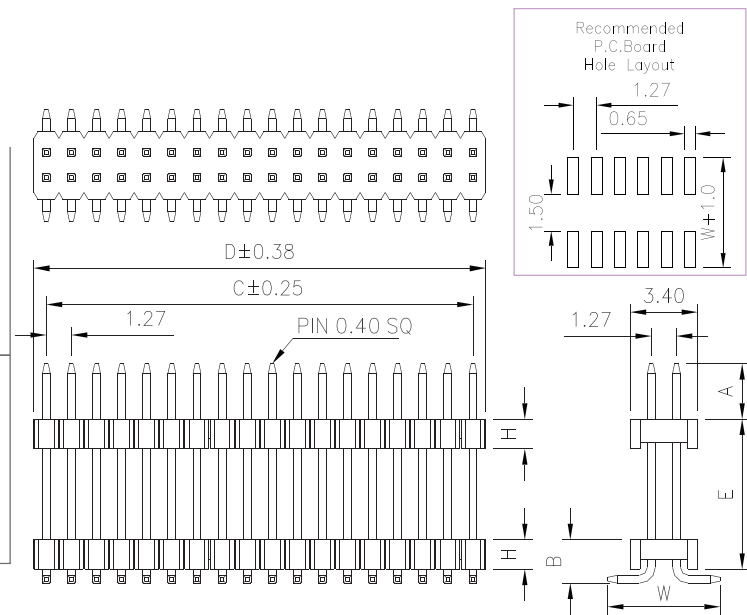
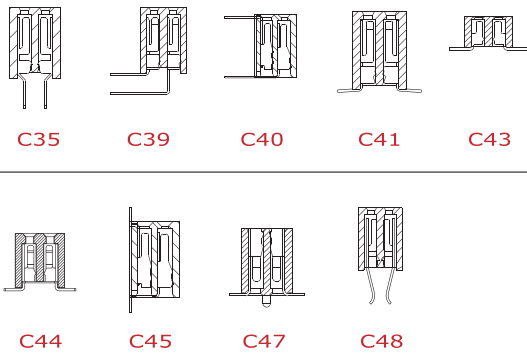
Materials

Contact Material :	Brass
Insulation Material :	High Temperature Thermoplastic, 94V-0 LCP

All materials must meet Greenconn's requirements for environmental protection.



Mating with



* For Coded Dimension Not Inside The Table, Please Refer To "Ordering Information"

No. of Pins/Row	Dimension Information			No. of Pins/Row	Dimension Information			No. of Pins/Row	Dimension Information			No. of Pins/Row	Dimension Information		
	C	D			C	D			C	D			C	D	
02	1.27	2.54		11	12.70	13.97		21	25.40	26.67		31	38.10	39.37	
03	2.54	3.81		12	13.97	15.24		22	26.67	27.94		32	39.37	40.64	
04	3.81	5.08		13	15.24	16.51		23	27.94	29.21		33	40.64	41.91	
05	5.08	6.35		14	16.51	17.78		24	29.21	30.48		34	41.91	43.18	
06	6.35	7.62		15	17.78	19.05		25	30.48	31.75		35	43.18	44.45	
07	7.62	8.89		16	19.05	20.32		26	31.75	33.02		36	44.45	45.72	
08	8.89	10.16		17	20.32	21.59		27	33.02	34.29		37	45.72	46.99	
09	10.16	11.43		18	21.59	22.86		28	34.29	35.56		38	46.99	48.26	
10	11.43	12.70		19	22.86	24.13		29	35.56	36.83		39	48.26	49.53	
				20	24.13	25.40		30	36.83	38.10		40	49.53	50.80	

Ordering Information

Standard Packaging : Tube

RGPEC2	<input checked="" type="checkbox"/> <input checked="" type="checkbox"/>	-	<input checked="" type="checkbox"/> <input checked="" type="checkbox"/>	<input checked="" type="checkbox"/> <input checked="" type="checkbox"/>	<input checked="" type="checkbox"/> <input checked="" type="checkbox"/>	<input checked="" type="checkbox"/> <input checked="" type="checkbox"/> <input checked="" type="checkbox"/>	C1BC
	Height Option (H) Standard		No. of Pins per Row	Standard Plating	<input type="checkbox"/> A	Pin Length (A / B / E / W)	
	<input type="checkbox"/> 31 : H= 2.54 <input type="checkbox"/> 32 : H= 1.00		<input type="checkbox"/> 02	<input type="checkbox"/> 02 : Gold Flash RGPEC231...A		<input type="checkbox"/> 006 : A=3.00/B=2.94/E=6.27/W=4.47	
	Height Option (H) Selective		? <input type="checkbox"/> 40	Selective Plating		<input type="checkbox"/> 054 : A=1.90/B=1.50/E=3.70/W=5.50	
	<input type="checkbox"/> 33 : H= 1.50			<input type="checkbox"/> 01 : Tin		For special length requirement	
	<input type="checkbox"/> 35 : H= 2.00			<input type="checkbox"/> 05 : Gold Flash / Tin		Please contact our sales personnel	
	<input type="checkbox"/> 38 : H= 2.50						

Due to technical progress, all designs, specifications and components are subject to change without notice.

Pin Header

pitch 1.27x2.45mm (0.05"x0.1") | Dual row | S.M.T. | Board spacer

RGPEC260 Series

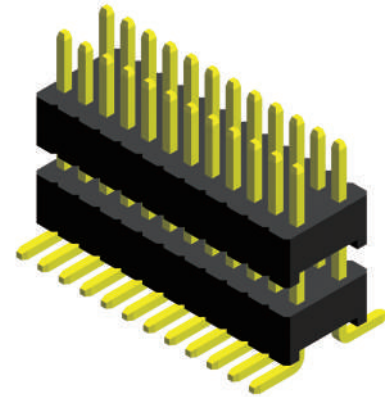
Specifications

Current Rating :	1.0 Ampere
Insulation Resistance :	1000 MΩ Min
Dielectric Withstanding :	300V AC
Contact Resistance :	20 mΩ Max
Operating Temperature :	-40°C to +105°C

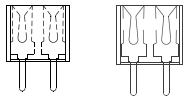
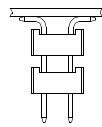
Materials

Contact Material :	Brass
Insulation Material :	High Temperature Thermoplastic, 94V-0 LCP

All materials must meet Greenconn's requirements for environmental protection.

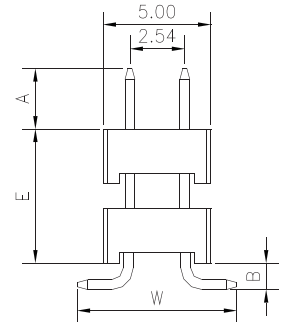
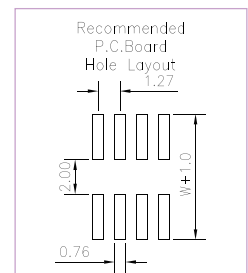
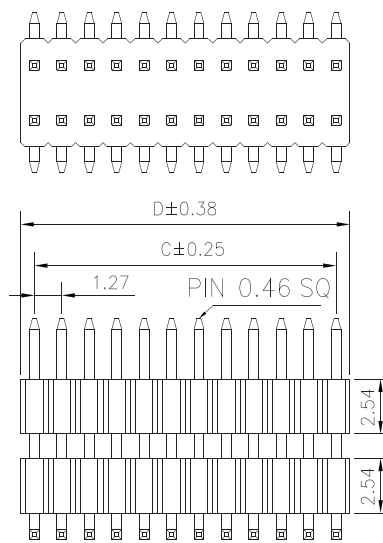


Mating with



C33

C36



* For Coded Dimension Not Inside The Table, Please Refer To "Ordering Information"

No. of Pins/Row	Dimension Information			No. of Pins/Row	Dimension Information			No. of Pins/Row	Dimension Information			No. of Pins/Row	Dimension Information		
	C	D			C	D			C	D			C	D	
02	1.27	2.54		11	12.70	13.97		21	25.40	26.67		31	38.10	39.37	
03	2.54	3.81		12	13.97	15.24		22	26.67	27.94		32	39.37	40.64	
04	3.81	5.08		13	15.24	16.51		23	27.94	29.21		33	40.64	41.91	
05	5.08	6.35		14	16.51	17.78		24	29.21	30.48		34	41.91	43.18	
06	6.35	7.62		15	17.78	19.05		25	30.48	31.75		35	43.18	44.45	
07	7.62	8.89		16	19.05	20.32		26	31.75	33.02		36	44.45	45.72	
08	8.89	10.16		17	20.32	21.59		27	33.02	34.29		37	45.72	46.99	
09	10.16	11.43		18	21.59	22.86		28	34.29	35.56		38	46.99	48.26	
10	11.43	12.70		19	22.86	24.13		29	35.56	36.83		39	48.26	49.53	
				20	24.13	25.40		30	36.83	38.10		40	49.53	50.80	

Ordering Information

Standard Packaging : Tube

RGPEC2	<input checked="" type="checkbox"/> <input checked="" type="checkbox"/>	-	<input checked="" type="checkbox"/> <input checked="" type="checkbox"/>	<input checked="" type="checkbox"/> <input checked="" type="checkbox"/>	<input checked="" type="checkbox"/> <input checked="" type="checkbox"/> <input checked="" type="checkbox"/>	C1BC
	Height Option (H)		No. of Pins per Row	Standard Plating	Pin Length (A/B/E/W)	
	<input type="text" value="60"/>		<input type="text" value="02"/>	<input type="text" value="02"/> : Gold Flash	<input type="text" value="007"/> : A=2.80/B=1.27/E=5.60/W=7.50	
			<input type="text" value="40"/>	Selective Plating	<input type="text" value="009"/> : A=3.00/B=1.30/E=5.08/W=7.50	
				<input type="text" value="01"/> : Tin	For special length requirement	
				<input type="text" value="05"/> : Gold Flash / Tin	Please contact our sales personnel	

Due to technical progress, all designs, specifications and components are subject to change without notice.

Pin Header

pitch 1.27mm (0.05") | Dual row | S.M.T. | Locating peg

RGPED201 Series

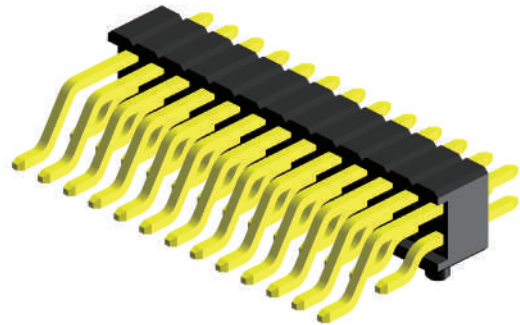
Specifications

Current Rating :	1.0 Ampere
Insulation Resistance :	1000 MΩ Min
Dielectric Withstanding :	300V AC
Contact Resistance :	20 mΩ Max
Operating Temperature :	-40°C to +105°C

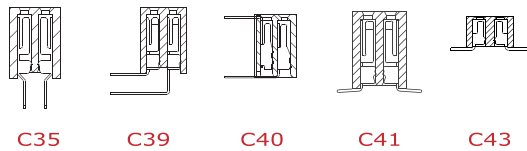
Materials

Contact Material :	Brass
Insulation Material :	High Temperature Thermoplastic, 94V-0 LCP

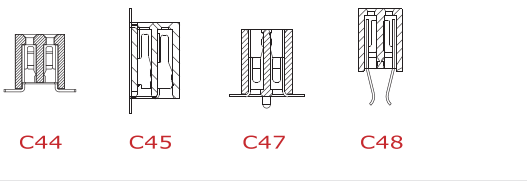
All materials must meet Greenconn's requirements for environmental protection.



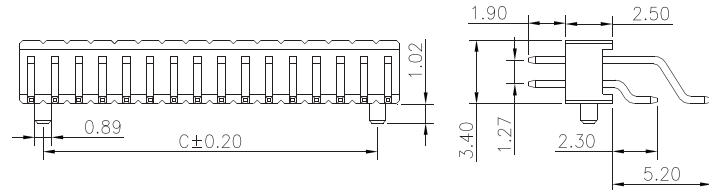
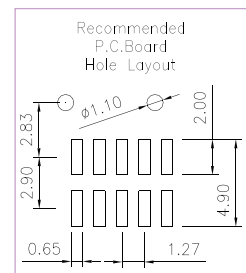
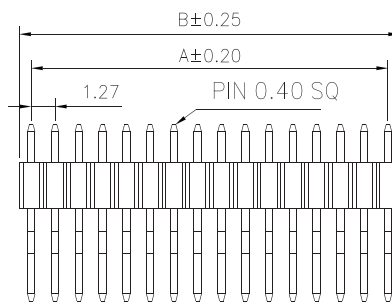
Mating with



C35 C39 C40 C41 C43



C44 C45 C47 C48



* For Coded Dimension Not Inside The Table, Please Refer To "Ordering Information"

No. of Pins/Row	Dimension Information			No. of Pins/Row	Dimension Information			No. of Pins/Row	Dimension Information			No. of Pins/Row	Dimension Information		
	A	B	C		A	B	C		A	B	C		A	B	C
03	2.54	3.81	1.27	11	12.70	13.97	11.43	21	25.40	26.67	24.13	31	38.10	39.37	36.83
04	3.81	5.08	2.54	12	13.97	15.24	12.70	22	26.67	27.94	25.40	32	39.37	40.64	38.10
05	5.08	6.35	3.81	13	15.24	16.51	13.97	23	27.94	29.21	26.67	33	40.64	41.91	39.37
06	6.35	7.62	5.08	14	16.51	17.78	15.24	24	29.21	30.48	27.94				
07	7.62	8.89	6.35	15	17.78	19.05	16.51	25	30.48	31.75	29.21				
08	8.89	10.16	7.62	16	19.05	20.32	17.78	26	31.75	33.02	30.48				
09	10.16	11.43	8.89	17	20.32	21.59	19.05	27	33.02	34.29	31.75				
10	11.43	12.70	10.16	18	21.59	22.86	20.32	28	34.29	35.56	33.02				
				19	22.86	24.13	21.59	29	35.56	36.83	34.29				
				20	24.13	25.40	22.86	30	36.83	38.10	35.56				

Ordering Information

Standard Packaging : Tube

RGPED2	<input type="checkbox"/> <input checked="" type="checkbox"/> <input type="checkbox"/>	-	<input type="checkbox"/> <input checked="" type="checkbox"/> <input type="checkbox"/>	<input type="checkbox"/> <input checked="" type="checkbox"/> <input type="checkbox"/>	B001C1BC
	Height Option (H)		No. of Pins per Row	Standard Plating	
	<input type="checkbox"/> <input checked="" type="checkbox"/> <input type="checkbox"/>		<input type="checkbox"/> <input checked="" type="checkbox"/> <input type="checkbox"/>	<input type="checkbox"/> <input checked="" type="checkbox"/> <input type="checkbox"/> : Gold Flash	
			<input type="checkbox"/> <input type="checkbox"/> <input checked="" type="checkbox"/>	Selective Plating	
				<input type="checkbox"/> <input type="checkbox"/> <input type="checkbox"/> : Tin	
				<input type="checkbox"/> <input type="checkbox"/> <input type="checkbox"/> : Gold Flash / Tin	

Due to technical progress, all designs, specifications and components are subject to change without notice.

Female Header

pitch 1.27mm (0.05") | Single row | Dip

RCSEA101 Series

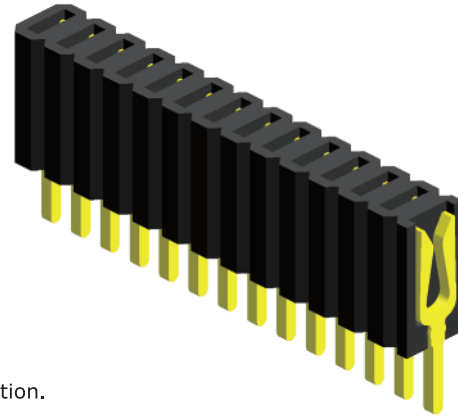
Specifications

Current Rating :	1.0 Ampere
Insulation Resistance :	1000 MΩ Min
Dielectric Withstanding :	300V AC
Contact Resistance :	20 mΩ Max
Operating Temperature :	-40°C to +105°C

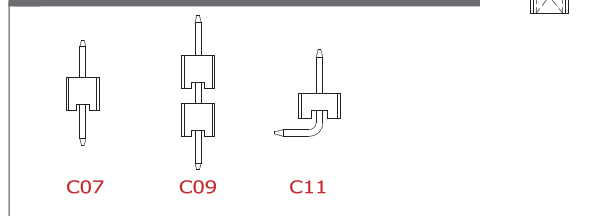
Materials

Contact Material :	Phosphor Bronze
Insulation Material :	High Temperature Thermoplastic, 94V-0 LCP

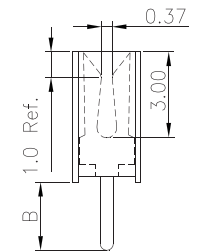
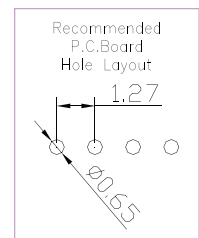
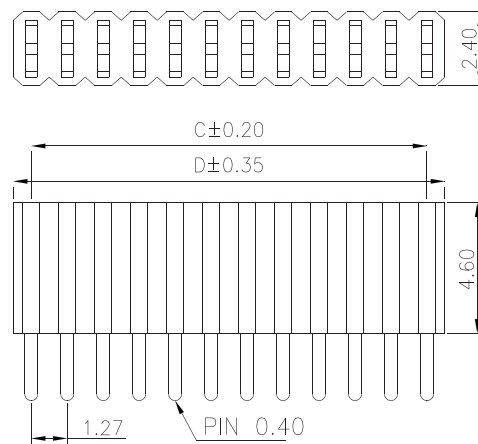
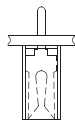
All materials must meet Greenconn's requirements for environmental protection.



Mating with



P.S. : Suggested mating pin length : 2.0 ~ 2.8 mm



* For Coded Dimension Not Inside The Table, Please Refer To "Ordering Information"

No. of Pins/Row	Dimension Information		No. of Pins/Row	Dimension Information		No. of Pins/Row	Dimension Information		No. of Pins/Row	Dimension Information	
	C	D		C	D		C	D		C	D
02	1.27	2.54	14	16.51	17.78	27	33.02	34.29	40	49.53	50.80
03	2.54	3.81	15	17.78	19.05	28	34.29	35.56	41	50.80	52.07
04	3.81	5.08	16	19.05	20.32	29	35.56	36.83	42	52.07	53.34
05	5.08	6.35	17	20.32	21.59	30	36.83	38.10	43	53.34	54.61
06	6.35	7.62	18	21.59	22.86	31	38.10	39.37	44	54.61	55.88
07	7.62	8.89	19	22.86	24.13	32	39.37	40.64	45	55.88	57.15
08	8.89	10.16	20	24.13	25.40	33	40.64	41.91	46	57.15	57.42
09	10.16	11.43	21	25.40	26.67	34	41.91	43.18	47	57.42	59.69
10	11.43	12.70	22	26.67	27.94	35	43.18	44.45	48	59.69	60.96
11	12.70	13.97	23	27.94	29.21	36	44.45	45.72	49	60.96	62.23
12	13.97	15.24	24	29.21	30.48	37	45.72	46.99	50	62.23	63.50
13	15.24	16.51	25	30.48	31.75	38	46.99	48.26			
			26	31.75	33.02	39	48.26	49.53			

Ordering Information

Standard Packaging : Tube

RCSEA1	<input checked="" type="checkbox"/> <input checked="" type="checkbox"/>	-	<input checked="" type="checkbox"/> <input checked="" type="checkbox"/>	<input checked="" type="checkbox"/> <input checked="" type="checkbox"/>	<input checked="" type="checkbox"/> <input checked="" type="checkbox"/> <input checked="" type="checkbox"/>	C1AC
	Height Option (H) Standard		No. of Pins per Row	Standard Plating	Pin Length (B)	
	<input type="checkbox"/> 01		<input checked="" type="checkbox"/> 03	<input type="checkbox"/> 02 : Gold Flash	<input type="checkbox"/> 001 : B=2.40	
			<input type="checkbox"/> ?	Selective Plating	<input type="checkbox"/> 002 : B=1.50	
			<input checked="" type="checkbox"/> 50	<input type="checkbox"/> 01 : Tin	<input type="checkbox"/> 003 : B=3.00	
				<input type="checkbox"/> 05 : Gold Flash / Tin	For special length requirement Please contact our sales personnel	

Due to technical progress, all designs, specifications and components are subject to change without notice.

Female Header ▶

pitch 1.27mm (0.05") | Single row | Dip

RCSEA102 Series

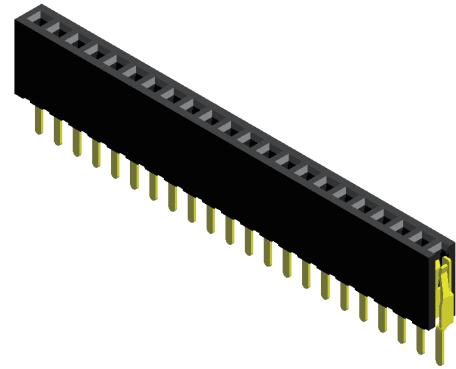
Specifications

Current Rating :	1.0 Ampere
Insulation Resistance :	1000 MΩ Min
Dielectric Withstanding :	300V AC
Contact Resistance :	20 mΩ Max
Operating Temperature :	-40°C to +105°C

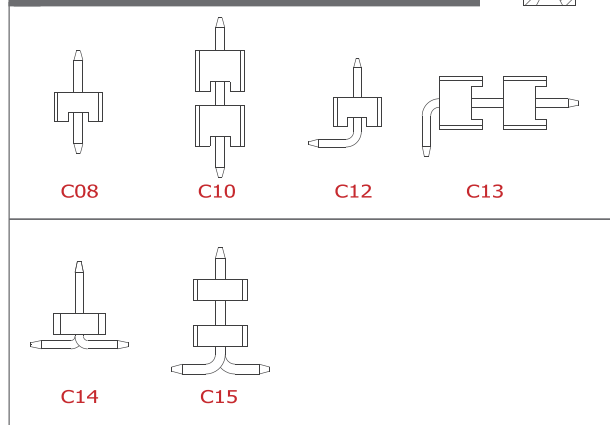
Materials

Contact Material :	Phosphor Bronze
Insulation Material :	High Temperature Thermoplastic, 94V-0 LCP

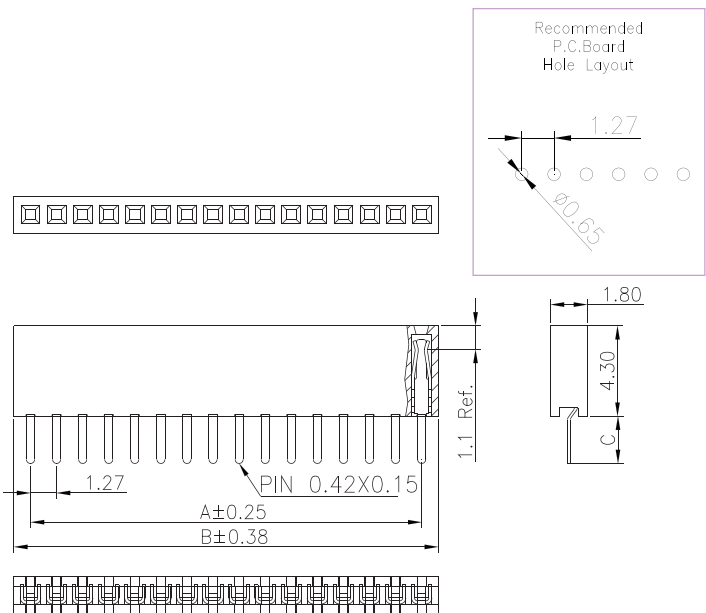
All materials must meet Greenconn's requirements for environmental protection.



Mating with



P.S. : Suggested mating pin length : 2.0 ~ 4.0 mm



* For Coded Dimension Not Inside The Table, Please Refer To "Ordering Information"

No. of Pins/Row	Dimension Information			No. of Pins/Row	Dimension Information			No. of Pins/Row	Dimension Information			No. of Pins/Row	Dimension Information		
	A	B			A	B			A	B			A	B	
02	1.27	2.94		11	12.70	14.32		21	25.40	27.02		31	38.10	39.72	
03	2.54	4.16		12	13.97	15.59		22	26.67	28.29		32	39.37	40.99	
04	3.81	5.43		13	15.24	16.86		23	27.94	29.56		33	40.64	42.26	
05	5.08	6.70		14	16.51	18.13		24	29.21	30.83		34	41.91	43.53	
06	6.35	7.97		15	17.78	19.40		25	30.48	32.10		35	43.18	44.80	
07	7.62	9.24		16	19.05	20.67		26	31.75	33.37		36	44.45	46.07	
08	8.89	10.51		17	20.32	21.94		27	33.02	34.64		37	45.72	47.34	
09	10.16	11.78		18	21.59	23.21		28	34.29	35.91		38	46.99	48.61	
10	11.43	13.05		19	22.86	24.48		29	35.56	37.18		39	48.26	49.88	
				20	24.13	25.75		30	36.83	38.45		40	49.53	51.15	

Ordering Information

Standard Packaging : Tube

RCSEA1	<input type="checkbox"/> <input checked="" type="checkbox"/> <input type="checkbox"/>	-	<input type="checkbox"/> <input checked="" type="checkbox"/> <input type="checkbox"/>	<input type="checkbox"/> <input checked="" type="checkbox"/> <input type="checkbox"/>	<input type="checkbox"/> <input checked="" type="checkbox"/> <input type="checkbox"/> <input type="checkbox"/> <input type="checkbox"/>	C1AC
	Height Option (H)		No. of Pins per Row	Standard Plating	Pin Length (C)	
	<input type="checkbox"/> <input checked="" type="checkbox"/> <input type="checkbox"/>		<input type="checkbox"/> <input checked="" type="checkbox"/> <input type="checkbox"/>	<input type="checkbox"/> : Tin	<input type="checkbox"/> <input type="checkbox"/> <input type="checkbox"/> : C=2.30	
	<input type="checkbox"/> <input type="checkbox"/> <input checked="" type="checkbox"/>		<input type="checkbox"/> <input type="checkbox"/> <input checked="" type="checkbox"/>	<input type="checkbox"/> : Gold Flash	<input type="checkbox"/> <input type="checkbox"/> <input type="checkbox"/> : C=1.50	
			<input type="checkbox"/> <input type="checkbox"/> <input type="checkbox"/> <input checked="" type="checkbox"/>	Selective Plating	For special length requirement Please contact our sales personnel	
				<input type="checkbox"/> <input type="checkbox"/> <input type="checkbox"/> <input type="checkbox"/> <input checked="" type="checkbox"/>		
				<input type="checkbox"/> : Gold Flash / Tin		

Due to technical progress, all designs, specifications and components are subject to change without notice.

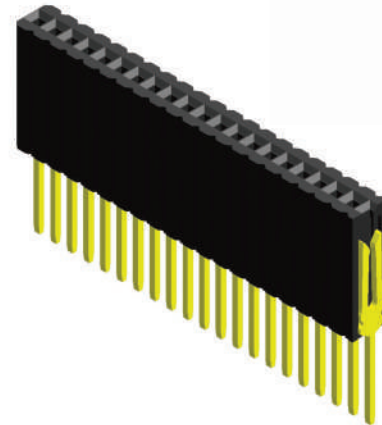
Female Header ▶

pitch 1.27mm (0.05") | Single row | Dip

RCSEA113 Series

Specifications

Current Rating :	1.0 Ampere
Insulation Resistance :	1000 MΩ Min
Dielectric Withstanding :	300V AC
Contact Resistance :	20 mΩ Max
Operating Temperature :	-40°C to +105°C

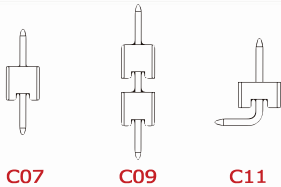


Materials

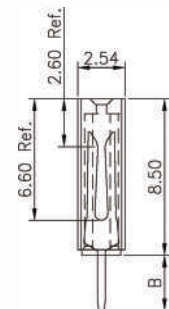
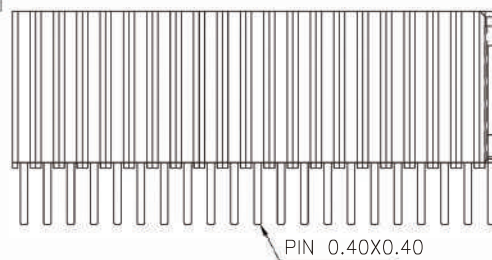
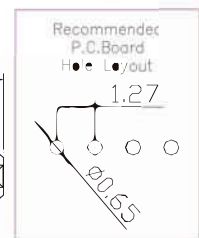
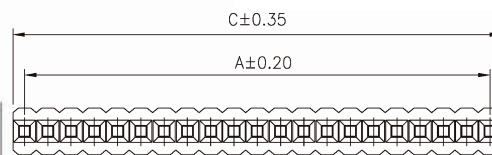
Contact Material :	Phosphor Bronze
Insulation Material :	High Temperature Thermoplastic, 94V-0 LCP

All materials must meet Greenconn's requirements for environmental protection.

Mating with



P.S. : Suggested mating pin length : 3.5 ~ 6.4 mm



* For Coded Dimension Not Inside The Table, Please Refer To "Ordering Information"

No. of Pins/Row	Dimension Information			No. of Pins/Row	Dimension Information			No. of Pins/Row	Dimension Information			No. of Pins/Row	Dimension Information		
	A	C			A	C			A	C			A	C	
02	1.27	2.54		11	12.70	13.97		21	25.40	26.67		31	38.10	39.37	
03	2.54	3.81		12	13.97	15.24		22	26.67	27.94		32	39.37	40.64	
04	3.81	5.08		13	15.24	16.51		23	27.94	29.21		33	40.64	41.91	
05	5.08	6.35		14	16.51	17.78		24	29.21	30.48		34	41.91	43.18	
06	6.35	7.62		15	17.78	19.05		25	30.48	31.75		35	43.18	44.45	
07	7.62	8.89		16	19.05	20.32		26	31.75	33.02					
08	8.89	10.16		17	20.32	21.59		27	33.02	34.29					
09	10.16	11.43		18	21.59	22.86		28	34.29	35.56					
10	11.43	12.70		19	22.86	24.13		29	35.56	36.83					
				20	24.13	25.40		30	36.83	38.10					

Ordering Information

Standard Packaging : Tube

RCSEA1	<input checked="" type="checkbox"/> <input checked="" type="checkbox"/>	-	<input checked="" type="checkbox"/> <input checked="" type="checkbox"/>	<input checked="" type="checkbox"/> <input checked="" type="checkbox"/>	<input checked="" type="checkbox"/> <input checked="" type="checkbox"/> <input checked="" type="checkbox"/>	C1AC
	Height Option (H) Standard		No. of Pins per Row	Standard Plating	Pin Length (B)	
	<input type="checkbox"/> 13		<input type="checkbox"/> 02 <input type="checkbox"/> ? <input type="checkbox"/> 35	<input type="checkbox"/> 02 : Gold Flash	<input type="checkbox"/> 001 : B=3.00 <input type="checkbox"/> 002 : B=2.70	
				Selective Plating	For special length requirement Please contact our sales personnel	
				<input type="checkbox"/> 01 : Tin		
				<input type="checkbox"/> 05 : Gold Flash / Tin		

Due to technical progress, all designs, specifications and components are subject to change without notice.

Female Header ▶

pitch 1.27mm (0.05") | Single row | R/A

RCSEB102 Series

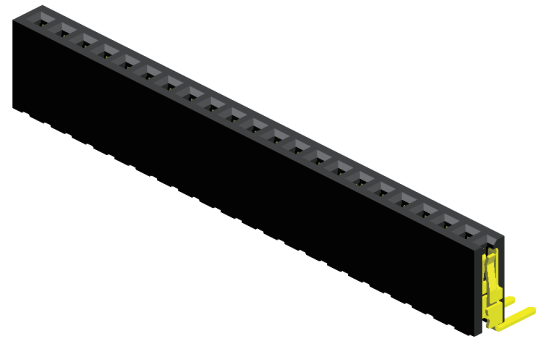
Specifications

Current Rating :	1.0 Ampere
Insulation Resistance :	1000 MΩ Min
Dielectric Withstanding :	300V AC
Contact Resistance :	20 mΩ Max
Operating Temperature :	-40°C to +105°C

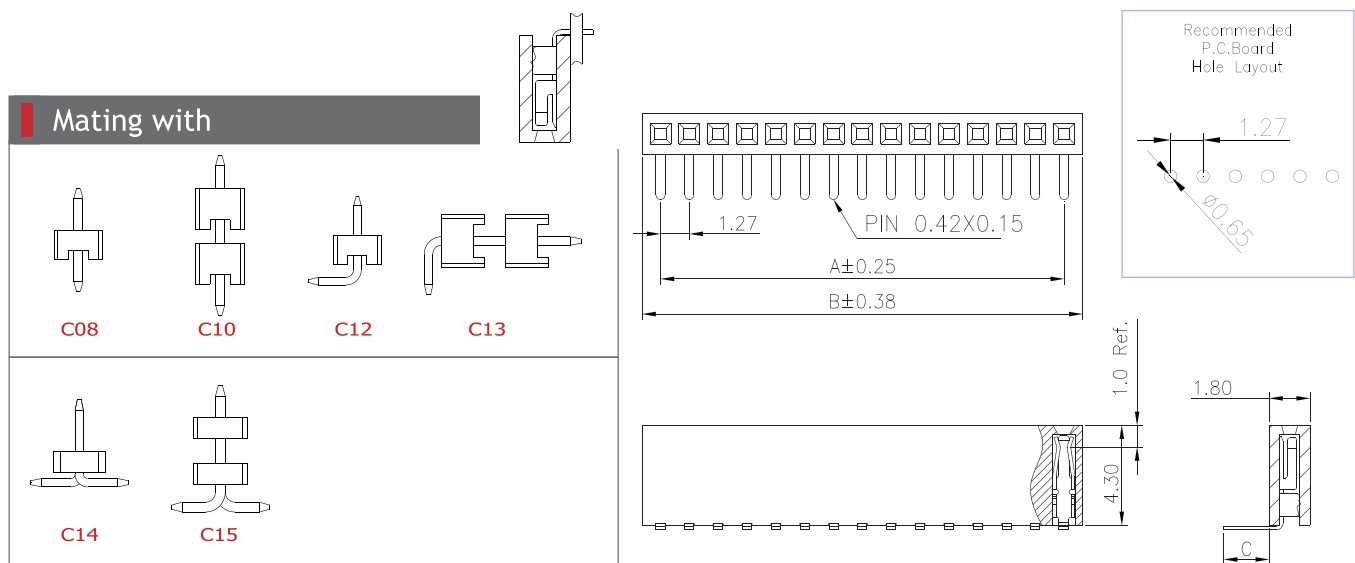
Materials

Contact Material :	Phosphor Bronze
Insulation Material :	High Temperature Thermoplastic, 94V-0 LCP

All materials must meet Greenconn's requirements for environmental protection.



Mating with



P.S. : Suggested mating pin length : 2.0 ~ 4.0 mm

* For Coded Dimension Not Inside The Table, Please Refer To "Ordering Information"

No. of Pins/Row	Dimension Information			No. of Pins/Row	Dimension Information			No. of Pins/Row	Dimension Information			No. of Pins/Row	Dimension Information		
	A	B			A	B			A	B			A	B	
02	1.27	2.94		11	12.70	14.32		21	25.40	27.02		31	38.10	39.72	
03	2.54	4.16		12	13.97	15.59		22	26.67	28.29		32	39.37	40.99	
04	3.81	5.43		13	15.24	16.86		23	27.94	29.56		33	40.64	42.26	
05	5.08	6.70		14	16.51	18.13		24	29.21	30.83		34	41.91	43.53	
06	6.35	7.97		15	17.78	19.40		25	30.48	32.10		35	43.18	44.80	
07	7.62	9.24		16	19.05	20.67		26	31.75	33.37		36	44.45	46.07	
08	8.89	10.51		17	20.32	21.94		27	33.02	34.64		37	45.72	47.34	
09	10.16	11.78		18	21.59	23.21		28	34.29	35.91		38	46.99	48.61	
10	11.43	13.05		19	22.86	24.48		29	35.56	37.18		39	48.26	49.88	
				20	24.13	25.75		30	36.83	38.45		40	49.53	51.15	

Ordering Information

Standard Packaging : Tube

RCSEB1	<input checked="" type="checkbox"/> <input checked="" type="checkbox"/>	-	<input checked="" type="checkbox"/> <input checked="" type="checkbox"/>	<input checked="" type="checkbox"/> <input checked="" type="checkbox"/>	<input checked="" type="checkbox"/> <input checked="" type="checkbox"/> <input checked="" type="checkbox"/>	C1AC
	Height Option (H)		No. of Pins per Row	Standard Plating	<input checked="" type="checkbox"/> <input checked="" type="checkbox"/> <input checked="" type="checkbox"/>	Pin Length (C)
	<input type="checkbox"/> 02		<input type="checkbox"/> 02	<input type="checkbox"/> 01 : Tin	<input type="checkbox"/> A	<input type="checkbox"/> 001 : C=2.00
			<input type="checkbox"/> ?	<input type="checkbox"/> 02 : Gold Flash		
			<input type="checkbox"/> 40	Selective Plating		
				<input type="checkbox"/> 05 : Gold Flash / Tin		For special length requirement Please contact our sales personnel

Due to technical progress, all designs, specifications and components are subject to change without notice.

Female Header ▶

pitch 1.27mm (0.05") | Single row | S.M.T.

RCSEC102 Series

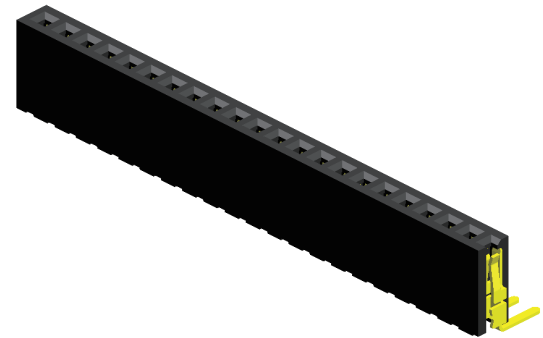
Specifications

Current Rating :	1.0 Ampere
Insulation Resistance :	1000 MΩ Min
Dielectric Withstanding :	300V AC
Contact Resistance :	20 mΩ Max
Operating Temperature :	-40°C to +105°C

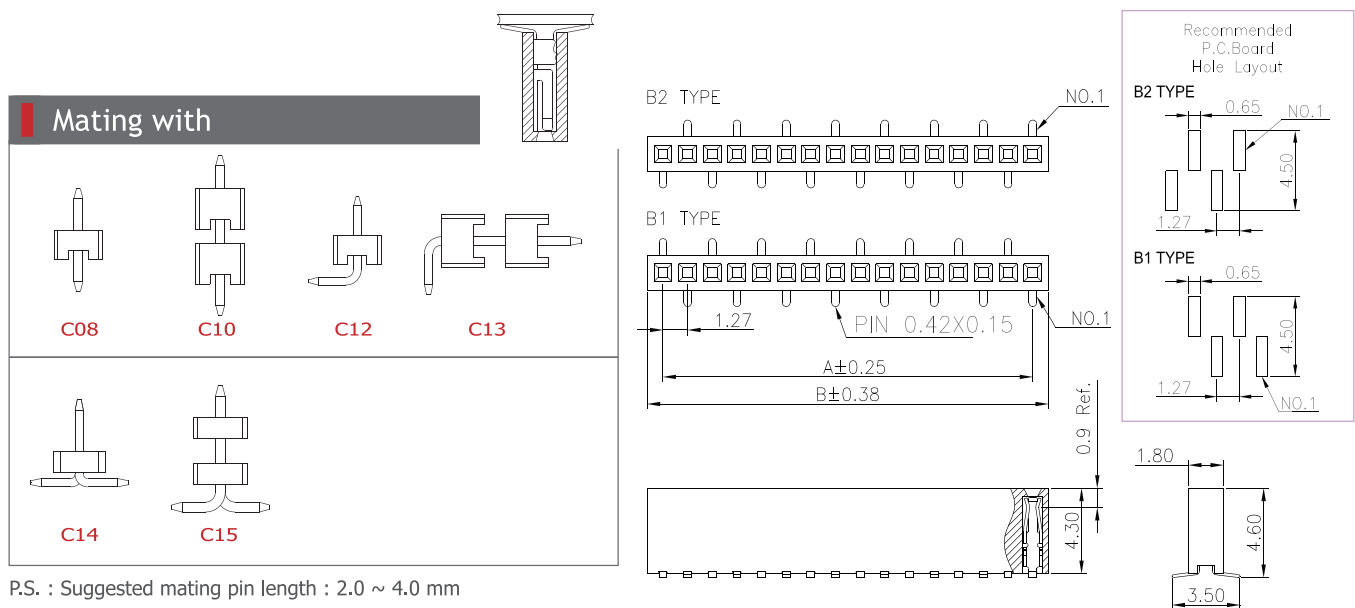
Materials

Contact Material :	Phosphor Bronze
Insulation Material :	High Temperature Thermoplastic, 94V-0 LCP

All materials must meet Greenconn's requirements for environmental protection.



Mating with



P.S. : Suggested mating pin length : 2.0 ~ 4.0 mm

* For Coded Dimension Not Inside The Table, Please Refer To "Ordering Information"

No. of Pins/Row	Dimension Information			No. of Pins/Row	Dimension Information			No. of Pins/Row	Dimension Information			No. of Pins/Row	Dimension Information		
	A	B			A	B			A	B			A	B	
02	1.27	2.94		11	12.70	14.32		21	25.40	27.02		31	38.10	39.72	
03	2.54	4.16		12	13.97	15.59		22	26.67	28.29		32	39.37	40.99	
04	3.81	5.43		13	15.24	16.86		23	27.94	29.56		33	40.64	42.26	
05	5.08	6.70		14	16.51	18.13		24	29.21	30.83		34	41.91	43.53	
06	6.35	7.97		15	17.78	19.40		25	30.48	32.10		35	43.18	44.80	
07	7.62	9.24		16	19.05	20.67		26	31.75	33.37		36	44.45	46.07	
08	8.89	10.51		17	20.32	21.94		27	33.02	34.64		37	45.72	47.34	
09	10.16	11.78		18	21.59	23.21		28	34.29	35.91		38	46.99	48.61	
10	11.43	13.05		19	22.86	24.48		29	35.56	37.18		39	48.26	49.88	
				20	24.13	25.75		30	36.83	38.45		40	49.53	51.15	

Ordering Information

Standard Packaging : Tube

RCSEC1	<input checked="" type="checkbox"/> <input checked="" type="checkbox"/>	-	<input checked="" type="checkbox"/> <input checked="" type="checkbox"/>	<input checked="" type="checkbox"/> <input checked="" type="checkbox"/>	<input checked="" type="checkbox"/> <input checked="" type="checkbox"/> <input checked="" type="checkbox"/>	C1AC
	Height Option (H)		No. of Pins per Row	Standard Plating	<input type="checkbox"/> A Pin Length	
	<input type="checkbox"/> 02		<input type="checkbox"/> 02 <input type="checkbox"/> ? <input type="checkbox"/> 40	<input type="checkbox"/> 01 : Tin <input type="checkbox"/> 02 : Gold Flash	<input type="checkbox"/> 001 : B1 Type <input type="checkbox"/> 002 : B2 Type	
				Selective Plating		
				<input type="checkbox"/> 05 : Gold Flash / Tin		

Due to technical progress, all designs, specifications and components are subject to change without notice.

Female Header

pitch 1.27x2.45mm (0.05"x0.1") | Dual row | Dip

RCSEA201 Series

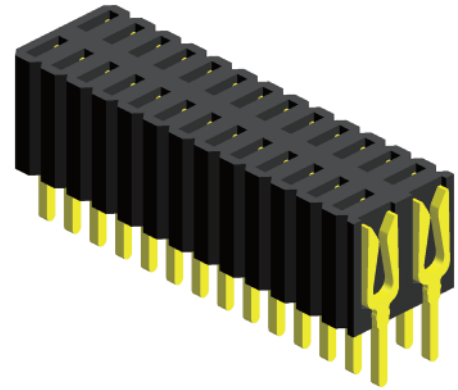
Specifications

Current Rating :	1.0 Ampere
Insulation Resistance :	1000 MΩ Min
Dielectric Withstanding :	300V AC
Contact Resistance :	20 mΩ Max
Operating Temperature :	-40°C to +105°C

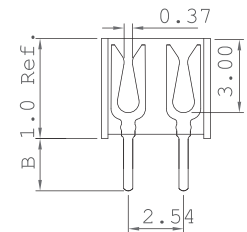
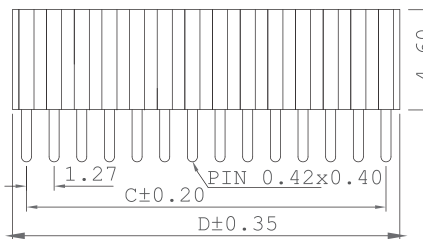
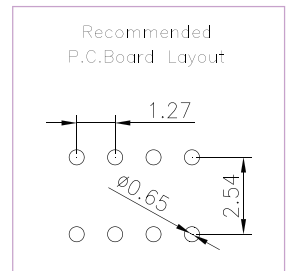
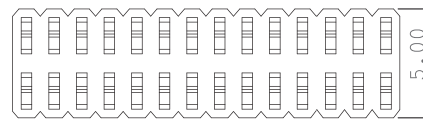
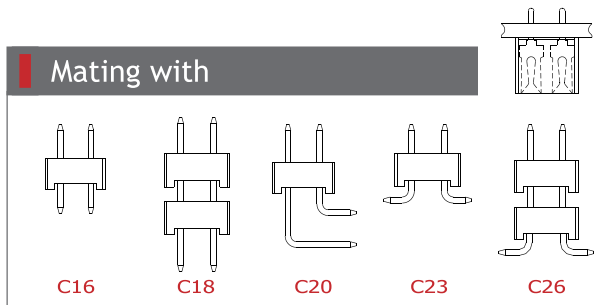
Materials

Contact Material :	Phosphor Bronze
Insulation Material :	High Temperature Thermoplastic, 94V-0 LCP

All materials must meet Greenconn's requirements for environmental protection.



Mating with



* For Coded Dimension Not Inside The Table, Please Refer To "Ordering Information"

No. of Pins/Row	Dimension Information			No. of Pins/Row	Dimension Information			No. of Pins/Row	Dimension Information			No. of Pins/Row	Dimension Information		
	C	D			C	D			C	D			C	D	
				14	16.51	17.78		27	33.02	34.29		40	49.53	50.80	
				15	17.78	19.05		28	34.29	35.56		41	50.80	52.07	
03	2.54	3.81		16	19.05	20.32		29	35.56	36.83		42	52.07	53.34	
04	3.81	5.08		17	20.32	21.59		30	36.83	38.10		43	53.34	54.61	
05	5.08	6.35		18	21.59	22.86		31	38.10	39.37		44	54.61	55.88	
06	6.35	7.62		19	22.86	24.13		32	39.37	40.64		45	55.88	57.15	
07	7.62	8.89		20	24.13	25.40		33	40.64	41.91		46	57.15	57.42	
08	8.89	10.16		21	25.40	26.67		34	41.91	43.18		47	57.42	59.69	
09	10.16	11.43		22	26.67	27.94		35	43.18	44.45		48	59.69	60.96	
10	11.43	12.70		23	27.94	29.21		36	44.45	45.72		49	60.96	62.23	
11	12.70	13.97		24	29.21	30.48		37	45.72	46.99		50	62.23	63.50	
12	13.97	15.24		25	30.48	31.75		38	46.99	48.26					
13	15.24	16.51		26	31.75	33.02		39	48.26	49.53					

Ordering Information

Standard Packaging : Tube

RCSEA2	<input checked="" type="checkbox"/> <input checked="" type="checkbox"/>	-	<input checked="" type="checkbox"/> <input checked="" type="checkbox"/>	<input checked="" type="checkbox"/> <input checked="" type="checkbox"/>	<input checked="" type="checkbox"/> <input checked="" type="checkbox"/> <input checked="" type="checkbox"/>	C1AC
	Height Option (H) Standard		No. of Pins per Row	Standard Plating	Pin Length (B)	
	<input type="checkbox"/> 01		<input type="checkbox"/> 03 ? <input type="checkbox"/> 50	<input type="checkbox"/> 02 : Gold Flash	<input type="checkbox"/> 001 : B=2.40 <input type="checkbox"/> 003 : B=3.00 <input type="checkbox"/> 005 : B=2.00	
				Selective Plating	For special length requirement Please contact our sales personnel	
				<input type="checkbox"/> 01 : Tin <input type="checkbox"/> 05 : Gold Flash / Tin		

Due to technical progress, all designs, specifications and components are subject to change without notice.

Female Header ▶

1.27mm pitch (0.05") | Dual row | Dip | Locating peg | Polarization

RCSEA202 Series

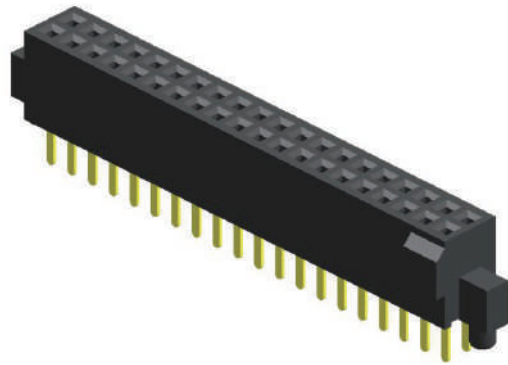
Specifications

Current Rating :	1.0 Ampere
Insulation Resistance :	1000 MΩ Min
Dielectric Withstanding :	300V AC
Contact Resistance :	20 mΩ Max
Operating Temperature :	-40°C to +105°C

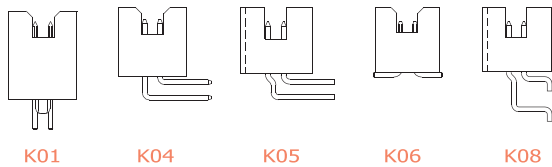
Materials

Contact Material :	Phosphor Bronze
Insulation Material :	High Temperature Thermoplastic, 94V-0 LCP

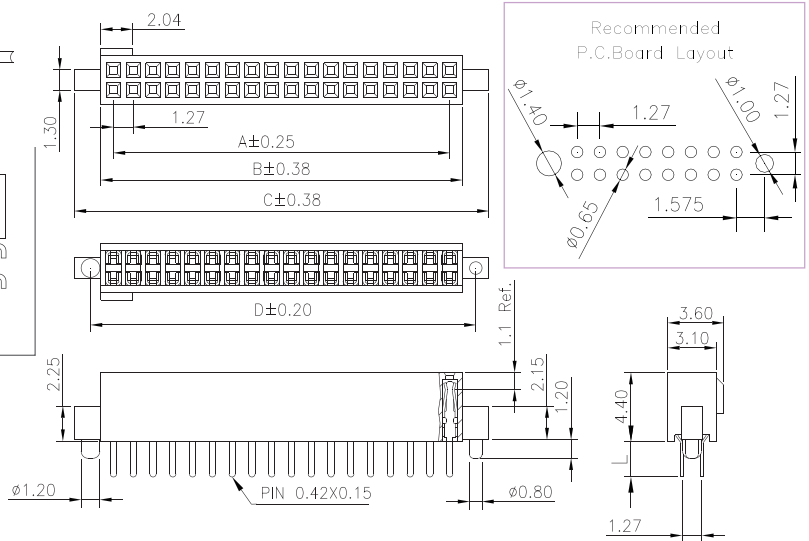
All materials must meet Greenconn's requirements for environmental protection.



Mating with



P.S. : Suggested mating pin length : 2.0 ~ 4.2 mm



* For Coded Dimension Not Inside The Table, Please Refer To "Ordering Information"

No. of Pins/Row	Dimension Information				No. of Pins/Row	Dimension Information				No. of Pins/Row	Dimension Information				No. of Pins/Row	Dimension Information			
	A	B	C	D		A	B	C	D		A	B	C	D		A	B	C	D
04	3.81	5.43	8.83	6.96	14	16.51	18.13	21.53	19.66	27	33.02	34.64	38.04	36.17	40	49.53	51.15	54.55	52.68
05	5.08	6.70	10.10	8.23	15	17.78	19.40	22.80	20.93	28	34.29	35.91	39.31	37.44	41	50.80	52.42	55.82	53.95
06	6.35	7.97	11.37	9.05	16	19.05	20.67	24.07	22.20	29	35.56	37.18	40.58	38.71	42	52.07	53.69	57.09	55.22
07	7.62	9.24	12.64	10.77	17	20.32	21.94	25.34	23.47	30	36.83	38.45	41.85	39.98	43	53.34	54.96	58.36	56.49
08	8.89	10.51	13.91	12.04	18	21.59	23.21	26.61	24.74	31	38.10	39.72	43.12	41.25	44	54.61	56.23	59.63	57.76
09	10.16	11.78	15.18	13.31	19	22.86	24.48	27.88	26.01	32	39.37	40.99	44.39	42.52	45	55.88	57.50	60.90	59.03
10	11.43	13.05	16.45	14.58	20	24.13	25.75	29.15	27.28	33	40.64	42.26	45.66	43.79	46	57.15	58.77	62.17	60.30
11	12.70	14.32	17.72	15.85	21	25.40	27.02	30.42	28.55	34	41.91	43.53	46.93	45.06	47	58.42	60.04	63.44	61.57
12	13.97	15.59	18.99	17.12	22	26.67	28.29	31.69	29.82	35	43.18	44.80	48.20	46.33	48	59.69	61.31	64.71	62.84
13	15.24	16.86	20.26	18.39	23	27.94	29.56	32.96	31.09	36	44.45	46.07	49.47	47.60	49	60.96	62.58	65.98	64.11
					24	29.21	30.83	34.23	32.36	37	45.72	47.34	50.74	48.87	50	62.23	63.85	67.25	65.38
					25	30.48	32.10	35.50	33.63	38	46.99	48.61	52.01	50.14					
					26	31.75	33.37	36.77	34.90	39	48.26	49.88	53.28	51.41					

Ordering Information

Standard Packaging : Tube

RCSEA2	<input checked="" type="checkbox"/> <input checked="" type="checkbox"/>	-	<input checked="" type="checkbox"/> <input checked="" type="checkbox"/>	<input checked="" type="checkbox"/> <input checked="" type="checkbox"/>	<input checked="" type="checkbox"/> <input checked="" type="checkbox"/> <input checked="" type="checkbox"/>	C1AC
	Height Option (H)		No. of Pins per Row	Standard Plating	Pin Length (L)	
	<input type="checkbox"/> 02		<input type="checkbox"/> 04 <input type="checkbox"/> ? <input type="checkbox"/> 50	<input type="checkbox"/> 02 : Gold Flash	<input type="checkbox"/> 002 : L=2.30 <input type="checkbox"/> 008 : L=3.00	
				Selective Plating	For special length requirement Please contact our sales personnel	
				<input type="checkbox"/> 01 : Tin		
				<input type="checkbox"/> 05 : Gold Flash / Tin		

Due to technical progress, all designs, specifications and components are subject to change without notice.

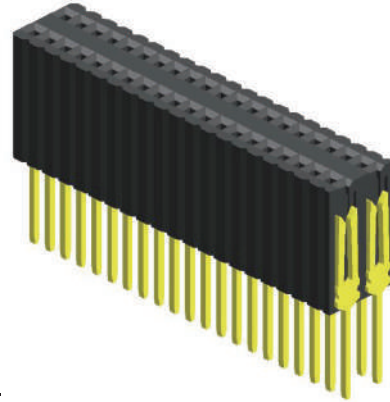
Female Header ▶

pitch 1.27x2.45mm (0.05"x0.1") | Dual row | Dip

RCSEA213 Series

Specifications

Current Rating :	1.0 Ampere
Insulation Resistance :	1000 MΩ Min
Dielectric Withstanding :	300V AC
Contact Resistance :	20 mΩ Max
Operating Temperature :	-40°C to +105°C

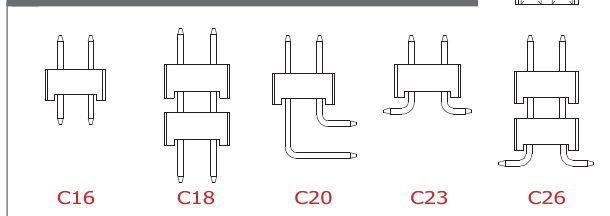


Materials

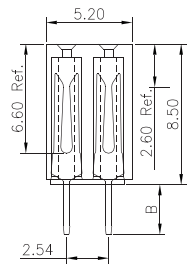
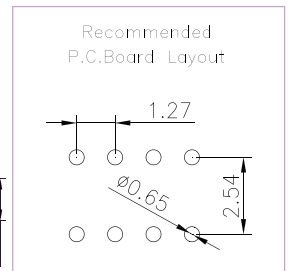
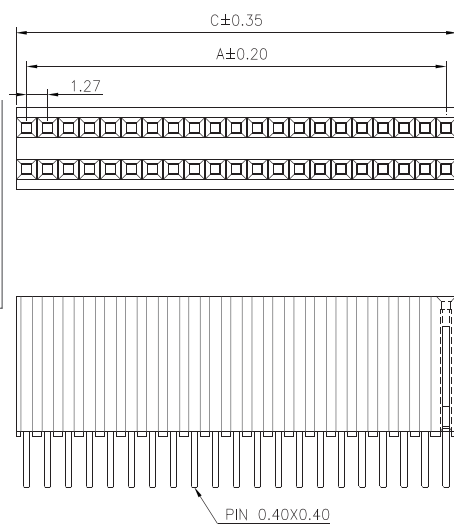
Contact Material :	Phosphor Bronze
Insulation Material :	High Temperature Thermoplastic, 94V-0 LCP

All materials must meet Greenconn's requirements for environmental protection.

Mating with



P.S. : Suggested mating pin length : 3.5 ~ 6.4 mm



* For Coded Dimension Not Inside The Table, Please Refer To "Ordering Information"

No. of Pins/Row	Dimension Information			No. of Pins/Row	Dimension Information			No. of Pins/Row	Dimension Information			No. of Pins/Row	Dimension Information		
	A	C			A	C			A	C			A	C	
02	1.27	2.54		11	12.70	13.97		21	25.40	26.67		31	38.10	39.37	
03	2.54	3.81		12	13.97	15.24		22	26.67	27.94		32	39.37	40.64	
04	3.81	5.08		13	15.24	16.51		23	27.94	29.21		33	40.64	41.91	
05	5.08	6.35		14	16.51	17.78		24	29.21	30.48		34	41.91	43.18	
06	6.35	7.62		15	17.78	19.05		25	30.48	31.75		35	43.18	44.45	
07	7.62	8.89		16	19.05	20.32		26	31.75	33.02					
08	8.89	10.16		17	20.32	21.59		27	33.02	34.29					
09	10.16	11.43		18	21.59	22.86		28	34.29	35.56					
10	11.43	12.70		19	22.86	24.13		29	35.56	36.83					
				20	24.13	25.40		30	36.83	38.10					

Ordering Information

Standard Packaging : Tube

RCSEA2	<input checked="" type="checkbox"/> <input checked="" type="checkbox"/>	-	<input checked="" type="checkbox"/> <input checked="" type="checkbox"/>	<input checked="" type="checkbox"/> <input checked="" type="checkbox"/>	<input checked="" type="checkbox"/> <input checked="" type="checkbox"/> <input checked="" type="checkbox"/>	C1AC
	Height Option (H) Standard		No. of Pins per Row	Standard Plating	<input type="checkbox"/> A Pin Length (B)	
	<input type="checkbox"/> 13		<input type="checkbox"/> 02 ? <input type="checkbox"/> 35	<input type="checkbox"/> 02 : Gold Flash	<input type="checkbox"/> 001 : B=3.00	
				Selective Plating	For special length requirement Please contact our sales personnel	
				<input type="checkbox"/> 01 : Tin		
				<input type="checkbox"/> 05 : Gold Flash / Tin		

Due to technical progress, all designs, specifications and components are subject to change without notice.

Female Header ▶

pitch 1.27mm (0.05") | Dual row | Dip | Polarization

RCSEA232 Series

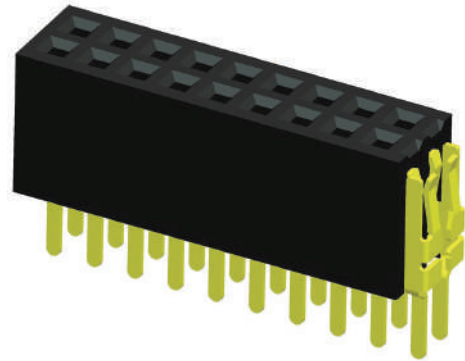
Specifications

Current Rating :	1.0 Ampere
Insulation Resistance :	1000 MΩ Min
Dielectric Withstanding :	300V AC
Contact Resistance :	20 mΩ Max
Operating Temperature :	-40°C to +105°C

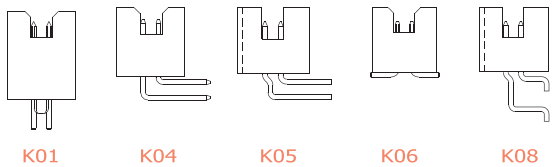
Materials

Contact Material :	Phosphor Bronze
Insulation Material :	High Temperature Thermoplastic, 94V-0 Nylon

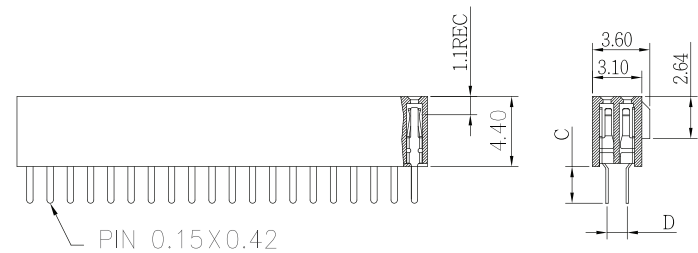
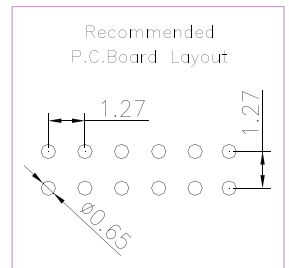
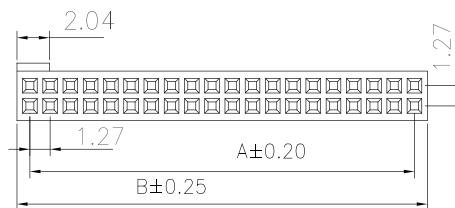
All materials must meet Greenconn's requirements for environmental protection.



Mating with



P.S. : Suggested mating pin length : 2.0 ~ 4.2 mm



* For Coded Dimension Not Inside The Table, Please Refer To "Ordering Information"

No. of Pins/Row	Dimension Information		No. of Pins/Row	Dimension Information		No. of Pins/Row	Dimension Information		No. of Pins/Row	Dimension Information	
	A	B		A	B		A	B		A	B
03	2.54	4.16	14	16.51	18.13	27	33.02	34.64	40	49.53	51.15
04	3.81	5.43	15	17.78	19.40	28	34.29	35.91	41	50.80	52.42
05	5.08	6.70	16	19.05	20.67	29	35.56	37.18	42	52.07	53.69
06	6.35	7.97	17	20.32	21.94	30	36.83	38.45	43	53.34	54.96
07	7.62	9.24	18	21.59	23.21	31	38.10	39.72	44	54.61	56.23
08	8.89	10.51	19	22.86	24.48	32	39.37	40.99	45	55.88	57.50
09	10.16	11.78	20	24.13	25.75	33	40.64	42.26	46	57.15	58.77
10	11.43	13.05	21	25.40	27.02	34	41.91	43.53	47	57.42	60.04
11	12.70	14.32	22	26.67	28.29	35	43.18	44.80	48	59.69	61.31
12	13.97	15.59	23	27.94	29.56	36	44.45	46.07	49	60.96	62.58
13	15.24	16.86	24	29.21	30.83	37	45.72	47.34	50	62.23	63.85
			25	30.48	32.10	38	46.99	48.61			
			26	31.75	33.37	39	48.26	49.88			

Ordering Information

Standard Packaging : Tube

RCSEA2	<input checked="" type="checkbox"/> <input checked="" type="checkbox"/>	-	<input checked="" type="checkbox"/> <input checked="" type="checkbox"/>	<input checked="" type="checkbox"/> <input checked="" type="checkbox"/>	<input checked="" type="checkbox"/> <input checked="" type="checkbox"/> <input checked="" type="checkbox"/>	R1AC
	Height Option (H)		No. of Pins per Row	Standard Plating	Pin Length (C / D)	
	<input type="checkbox"/> 32 : H=4.40		<input type="checkbox"/> 03 ? <input type="checkbox"/> 50	<input type="checkbox"/> 02 : Gold Flash	<input type="checkbox"/> 001 : C=2.30 / D=1.27 <input type="checkbox"/> 007 : C=3.05 / D=1.27	
				Selective Plating	For special length requirement Please contact our sales personnel	
				<input type="checkbox"/> 01 : Tin		
				<input type="checkbox"/> 05 : Gold Flash / Tin		

Due to technical progress, all designs, specifications and components are subject to change without notice.

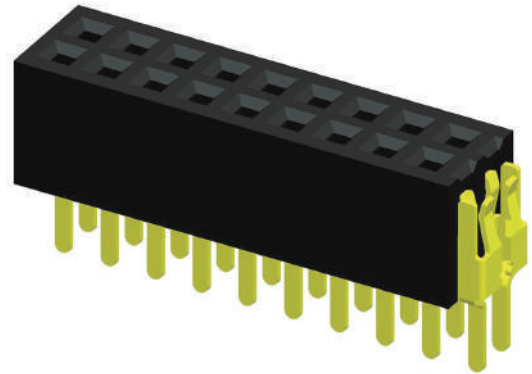
Female Header ▶

pitch 1.27mm (0.05") | Dual row | Dip | Polarization

RCSEA230 Series

Specifications

Current Rating :	1.0 Ampere
Insulation Resistance :	1000 MΩ Min
Dielectric Withstanding :	300V AC
Contact Resistance :	20 mΩ Max
Operating Temperature :	-40°C to +105°C

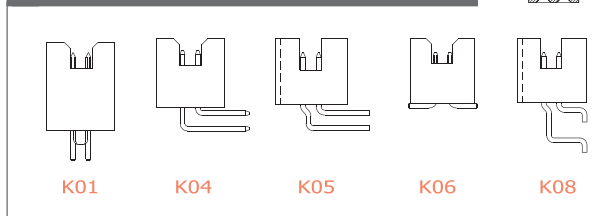


Materials

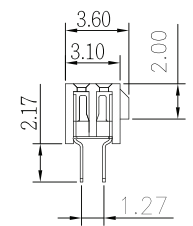
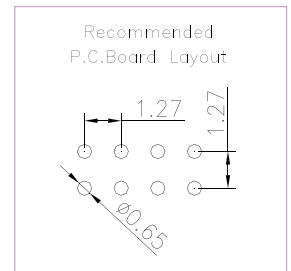
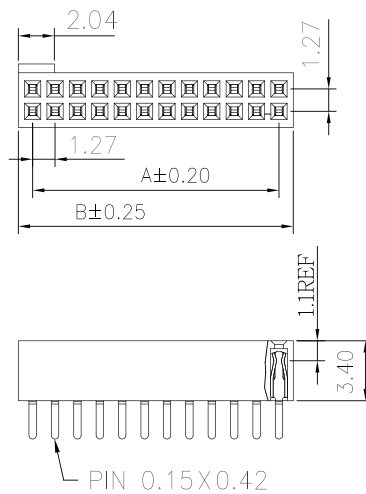
Contact Material :	Phosphor Bronze
Insulation Material :	High Temperature Thermoplastic, 94V-0 LCP

All materials must meet Greenconn's requirements for environmental protection.

Mating with



P.S. : Suggested mating pin length : 2.0 ~ 3.2 mm



* For Coded Dimension Not Inside The Table, Please Refer To "Ordering Information"

No. of Pins/Row	Dimension Information			No. of Pins/Row	Dimension Information			No. of Pins/Row	Dimension Information			No. of Pins/Row	Dimension Information		
	A	B			A	B			A	B			A	B	
03	2.54	4.16		14	16.51	18.13		27	33.02	34.64		40	49.53	51.15	
04	3.81	5.43		15	17.78	19.40		28	34.29	35.91		41	50.80	52.42	
05	5.08	6.70		16	19.05	20.67		29	35.56	37.18		42	52.07	53.69	
06	6.35	7.97		17	20.32	21.94		30	36.83	38.45		43	53.34	54.96	
07	7.62	9.24		18	21.59	23.21		31	38.10	39.72		44	54.61	56.23	
08	8.89	10.51		19	22.86	24.48		32	39.37	40.99		45	55.88	57.50	
09	10.16	11.78		20	24.13	25.75		33	40.64	42.26		46	57.15	58.77	
10	11.43	13.05		21	25.40	27.02		34	41.91	43.53		47	57.42	60.04	
11	12.70	14.32		22	26.67	28.29		35	43.18	44.80		48	59.69	61.31	
12	13.97	15.59		23	27.94	29.56		36	44.45	46.07		49	60.96	62.58	
13	15.24	16.86		24	29.21	30.83		37	45.72	47.34		50	62.23	63.85	
				25	30.48	32.10		38	46.99	48.61					
				26	31.75	33.37		39	48.26	49.88					

Ordering Information

Standard Packaging : Box

RCSEA2	<input type="checkbox"/> <input checked="" type="checkbox"/> <input type="checkbox"/>	-	<input type="checkbox"/> <input checked="" type="checkbox"/> <input type="checkbox"/>	<input type="checkbox"/> <input checked="" type="checkbox"/> <input type="checkbox"/>	<input type="checkbox"/> <input checked="" type="checkbox"/> <input type="checkbox"/>	<input type="checkbox"/> <input checked="" type="checkbox"/> <input type="checkbox"/>	C1AA
	Height Option (H)		No. of Pins per Row	Standard Plating		Pin Length (C / D)	
	<input type="checkbox"/> <input checked="" type="checkbox"/> <input type="checkbox"/> : H=3.40		<input type="checkbox"/> <input checked="" type="checkbox"/> <input type="checkbox"/>	<input type="checkbox"/> <input checked="" type="checkbox"/> <input type="checkbox"/> : Gold Flash		<input type="checkbox"/> <input checked="" type="checkbox"/> <input type="checkbox"/>	
			<input type="checkbox"/> <input checked="" type="checkbox"/> <input type="checkbox"/>	Selective Plating			For special length requirement Please contact our sales personnel
			<input type="checkbox"/> <input checked="" type="checkbox"/> <input type="checkbox"/>	<input type="checkbox"/> <input checked="" type="checkbox"/> <input type="checkbox"/> : Tin			
				<input type="checkbox"/> <input checked="" type="checkbox"/> <input type="checkbox"/> : Gold Flash / Tin			

Due to technical progress, all designs, specifications and components are subject to change without notice.

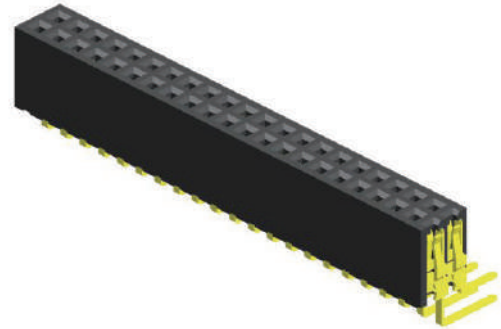
Female Header

pitch 1.27mm (0.05") | Dual row | R/A

RCSEB202 Series

Specifications

Current Rating :	1.0 Ampere
Insulation Resistance :	1000 MΩ Min
Dielectric Withstanding :	300V AC
Contact Resistance :	20 mΩ Max
Operating Temperature :	-40°C to +105°C

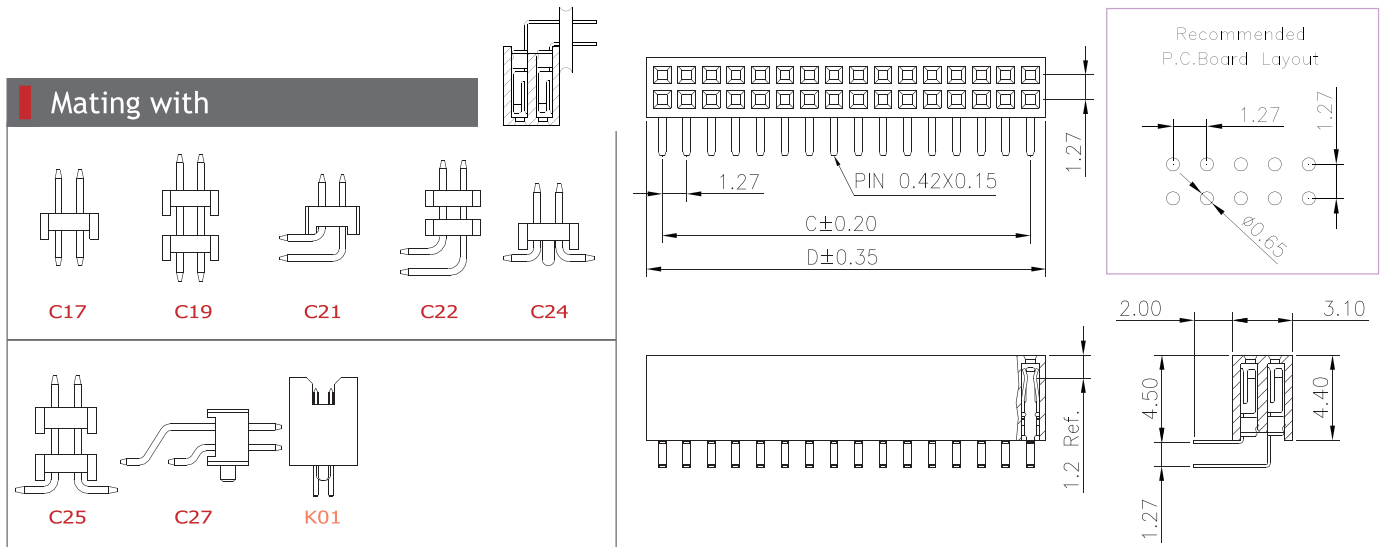


Materials

Contact Material :	Phosphor Bronze
Insulation Material :	High Temperature Thermoplastic, 94V-0 LCP

All materials must meet Greenconn's requirements for environmental protection.

Mating with



P.S. : Suggested mating pin length : 2.0 ~ 4.2 mm

* For Coded Dimension Not Inside The Table, Please Refer To "Ordering Information"

No. of Pins/Row	Dimension Information		No. of Pins/Row	Dimension Information		No. of Pins/Row	Dimension Information		No. of Pins/Row	Dimension Information	
	C	D		C	D		C	D		C	D
03	2.54	4.16	14	16.51	18.13	27	33.02	34.64	40	49.53	51.15
04	3.81	5.43	15	17.78	19.40	28	34.29	35.91	41	50.80	52.42
05	5.08	6.70	16	19.05	20.67	29	35.56	37.18	42	52.07	53.69
06	6.35	7.97	17	20.32	21.94	30	36.83	38.45	43	53.34	54.96
07	7.62	9.24	18	21.59	23.21	31	38.10	39.72	44	54.61	56.23
08	8.89	10.51	19	22.86	24.48	32	39.37	40.99	45	55.88	57.50
09	10.16	11.78	20	24.13	25.75	33	40.64	42.26	46	57.15	58.77
10	11.43	13.05	21	25.40	27.02	34	41.91	43.53	47	57.42	60.04
11	12.70	14.32	22	26.67	28.29	35	43.18	44.80	48	59.69	61.31
12	13.97	15.59	23	27.94	29.56	36	44.45	46.07	49	60.96	62.58
13	15.24	16.86	24	29.21	30.83	37	45.72	47.34	50	62.23	63.85
			25	30.48	32.10	38	46.99	48.61			
			26	31.75	33.37	39	48.26	49.88			

Ordering Information

Standard Packaging : Tube

RCSEB2	<input type="checkbox"/> <input checked="" type="checkbox"/> <input type="checkbox"/>	-	<input type="checkbox"/> <input checked="" type="checkbox"/> <input type="checkbox"/>	<input type="checkbox"/> <input checked="" type="checkbox"/> <input type="checkbox"/>	A001C1AC
	Height Option (H)		No. of Pins per Row	Standard Plating	
	<input type="checkbox"/> <input checked="" type="checkbox"/> <input type="checkbox"/>		<input type="checkbox"/> <input checked="" type="checkbox"/> <input type="checkbox"/>	<input type="checkbox"/> : Tin	
			<input type="checkbox"/> <input type="checkbox"/> <input checked="" type="checkbox"/>	<input type="checkbox"/> : Gold Flash	
				Selective Plating	
				<input type="checkbox"/> : Gold Flash / Tin	

Due to technical progress, all designs, specifications and components are subject to change without notice.

Female Header

pitch 1.27mm (0.05") | Dual row | R/A

RCSEB214 Series

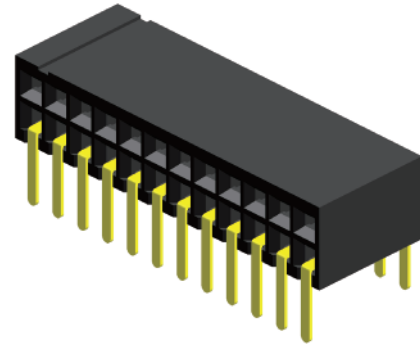
Specifications

Current Rating :	1.0 Ampere
Insulation Resistance :	1000 MΩ Min
Dielectric Withstanding :	300V AC
Contact Resistance :	20 mΩ Max
Operating Temperature :	-40°C to +105°C

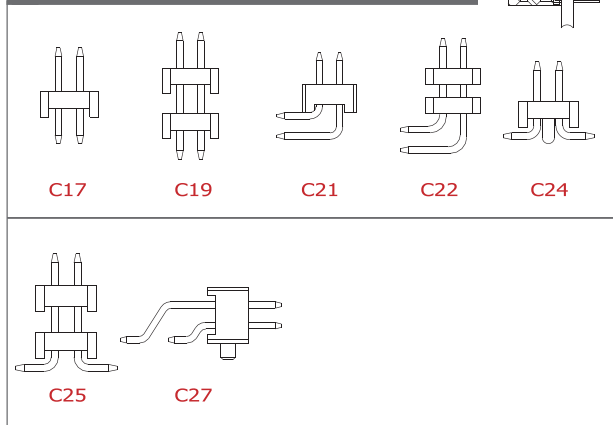
Materials

Contact Material :	Phosphor Bronze
Insulation Material :	High Temperature Thermoplastic, 94V-0 LCP

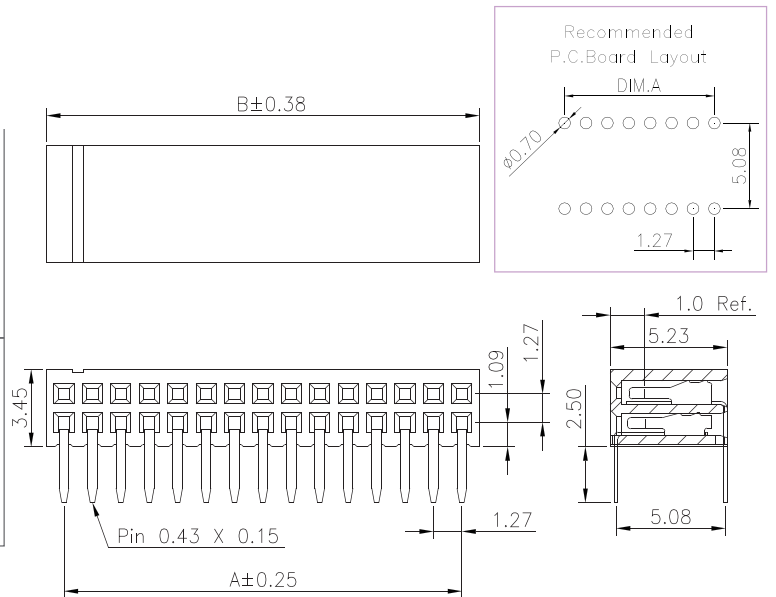
All materials must meet Greenconn's requirements for environmental protection.



Mating with



P.S. : Suggested mating pin length : 2.0 ~ 5.0 mm



* For Coded Dimension Not Inside The Table, Please Refer To "Ordering Information"

No. of Pins/Row	Dimension Information			No. of Pins/Row	Dimension Information			No. of Pins/Row	Dimension Information			No. of Pins/Row	Dimension Information		
	A	B			A	B			A	B			A	B	
02	1.27	2.84		11	12.70	14.27		21	25.40	26.97		31	38.10	39.67	
03	2.54	4.11		12	13.97	15.54		22	26.67	28.24		32	39.37	40.94	
04	3.81	5.38		13	15.24	16.81		23	27.94	29.51		33	40.64	42.21	
05	5.08	6.65		14	16.51	18.08		24	29.21	30.78		34	41.91	43.48	
06	6.35	7.92		15	17.78	19.35		25	30.48	32.05		35	43.18	44.75	
07	7.62	9.19		16	19.05	20.62		26	31.75	33.32		36	44.45	46.02	
08	8.89	10.46		17	20.32	21.89		27	33.02	34.59		37	45.72	47.29	
09	10.16	11.73		18	21.59	23.16		28	34.29	35.86		38	46.99	48.56	
10	11.43	13.00		19	22.86	24.43		29	35.56	37.13		39	48.26	49.83	
				20	24.13	25.70		30	36.83	38.40		40	49.53	51.10	

Ordering Information

RCSEB2 - A002C1AC

Standard Packaging : Tube

Height Option (H)

No. of Pins per Row

Standard Plating : Gold Flash

Selective Plating : Tin : Gold Flash / Tin

Due to technical progress, all designs, specifications and components are subject to change without notice.

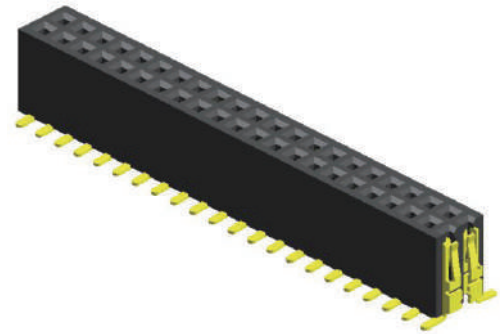
Female Header ▶

pitch 1.27mm (0.05") | Dual row | S.M.T.

RCSEC202 Series

Specifications

Current Rating : 1.0 Ampere
 Insulation Resistance : 1000 MΩ Min
 Dielectric Withstanding : 300V AC
 Contact Resistance : 20 mΩ Max
 Operating Temperature : -40°C to +105°C

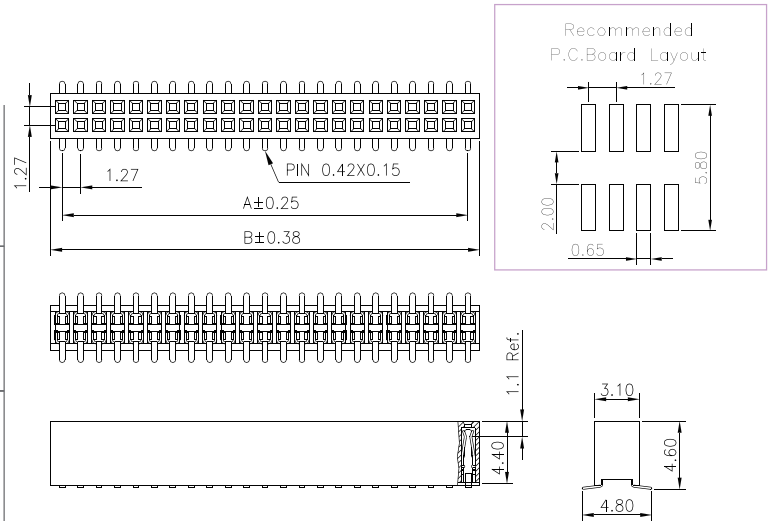
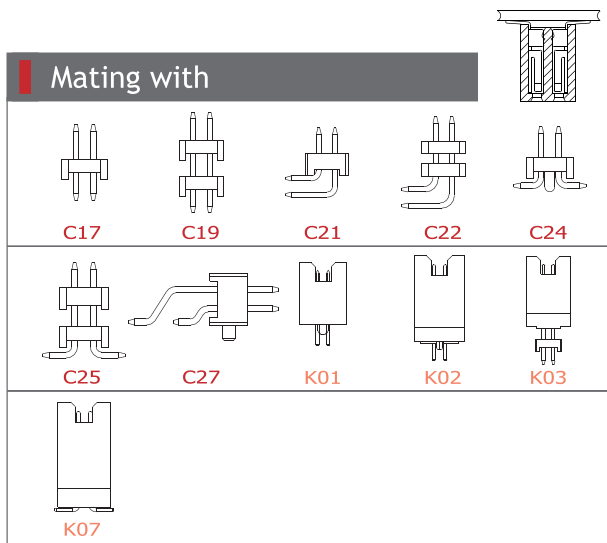


Materials

Contact Material : Phosphor Bronze
 Insulation Material : High Temperature Thermoplastic, 94V-0 LCP

All materials must meet Greenconn's requirements for environmental protection.

Mating with



P.S. : Suggested mating pin length : 2.0 ~ 4.2 mm

* For Coded Dimension Not Inside The Table, Please Refer To "Ordering Information"

No. of Pins/Row	Dimension Information			No. of Pins/Row	Dimension Information			No. of Pins/Row	Dimension Information			No. of Pins/Row	Dimension Information		
	A	B			A	B			A	B			A	B	
02	1.27	2.89		14	16.51	18.13		27	33.02	34.64		40	49.53	51.15	
03	2.54	4.16		15	17.78	19.40		28	34.29	35.91		41	50.80	52.42	
04	3.81	5.43		16	19.05	20.67		29	35.56	37.18		42	52.07	53.69	
05	5.08	6.70		17	20.32	21.94		30	36.83	38.45		43	53.34	54.96	
06	6.35	7.97		18	21.59	23.21		31	38.10	39.72		44	54.61	56.23	
07	7.62	9.24		19	22.86	24.48		32	39.37	40.99		45	55.88	57.50	
08	8.89	10.51		20	24.13	25.75		33	40.64	42.26		46	57.15	58.77	
09	10.16	11.78		21	25.40	27.02		34	41.91	43.53		47	57.42	60.04	
10	11.43	13.05		22	26.67	28.29		35	43.18	44.80		48	59.69	61.31	
11	12.70	14.32		23	27.94	29.56		36	44.45	46.07		49	60.96	62.58	
12	13.97	15.59		24	29.21	30.83		37	45.72	47.34		50	62.23	63.85	
13	15.24	16.86		25	30.48	32.10		38	46.99	48.61					
				26	31.75	33.37		39	48.26	49.88					

Ordering Information

Standard Packaging : Tube

RCSEC2 - A001C1AC
 Height Option (H)
 No. of Pins per Row
 Standard Plating : Tin
 : Gold Flash
 Selective Plating : Gold Flash / Tin

Due to technical progress, all designs, specifications and components are subject to change without notice.

Female Header

pitch 1.27mm (0.05") | Dual row | S.M.T. | Locating peg | Polarization

RCSEC202 Series

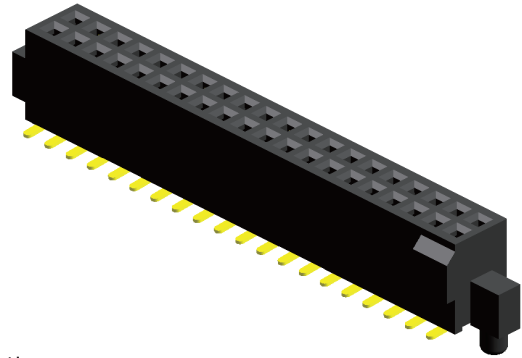
Specifications

Current Rating : 1.0 Ampere
 Insulation Resistance : 1000 MΩ Min
 Dielectric Withstanding : 300V AC
 Contact Resistance : 20 mΩ Max
 Operating Temperature : -40°C to +105°C

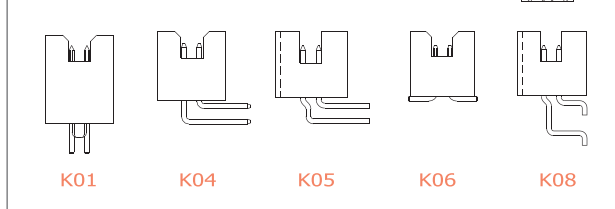
Materials

Contact Material : Phosphor Bronze
 Insulation Material : High Temperature Thermoplastic, 94V-0 LCP

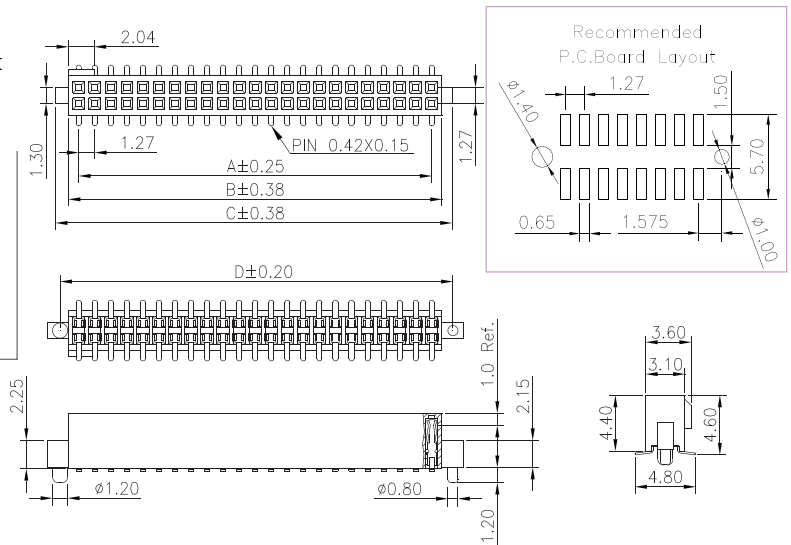
All materials must meet Greenconn's requirements for environmental protection.



Mating with



P.S. : Suggested mating pin length : 2.0 ~ 4.2 mm



* For Coded Dimension Not Inside The Table, Please Refer To "Ordering Information"

No. of Pins/Row	Dimension Information				No. of Pins/Row	Dimension Information				No. of Pins/Row	Dimension Information				No. of Pins/Row	Dimension Information			
	A	B	C	D		A	B	C	D		A	B	C	D		A	B	C	D
04	3.81	5.43	8.83	6.96	14	16.51	18.13	21.53	19.66	27	33.02	34.64	38.04	36.17	40	49.53	51.15	54.55	52.68
05	5.08	6.70	10.10	8.23	15	17.78	19.40	22.80	20.93	28	34.29	35.91	39.31	37.44	41	50.80	52.42	55.82	53.95
06	6.35	7.97	11.37	9.05	16	19.05	20.67	24.07	22.20	29	35.56	37.18	40.58	38.71	42	52.07	53.69	57.09	55.22
07	7.62	9.24	12.64	10.77	17	20.32	21.94	25.34	23.47	30	36.83	38.45	41.85	39.98	43	53.34	54.96	58.36	56.49
08	8.89	10.51	13.91	12.04	18	21.59	23.21	26.61	24.74	31	38.10	39.72	43.12	41.25	44	54.61	56.23	59.63	57.76
09	10.16	11.78	15.18	13.31	19	22.86	24.48	27.88	26.01	32	39.37	40.99	44.39	42.52	45	55.88	57.50	60.90	59.03
10	11.43	13.05	16.45	14.58	20	24.13	25.75	29.15	27.28	33	40.64	42.26	45.66	43.79	46	57.15	58.77	62.17	60.30
11	12.70	14.32	17.72	15.85	21	25.40	27.02	30.42	28.55	34	41.91	43.53	46.93	45.06	47	58.42	60.04	63.44	61.57
12	13.97	15.59	18.99	17.12	22	26.67	28.29	31.69	29.82	35	43.18	44.80	48.20	46.33	48	59.69	61.31	64.71	62.84
13	15.24	16.86	20.26	18.39	23	27.94	29.56	32.96	31.09	36	44.45	46.07	49.47	47.60	49	60.96	62.58	65.98	64.11
					24	29.21	30.83	34.23	32.36	37	45.72	47.34	50.74	48.87	50	62.23	63.85	67.25	65.38
					25	30.48	32.10	35.50	33.63	38	46.99	48.61	52.01	50.14					
					26	31.75	33.37	36.77	34.90	39	48.26	49.88	53.28	51.41					

Ordering Information

RCSEC2 -

Height Option (H)

No. of Pins per Row

Selective Plating

Standard Packaging : Tube

B001C1AC

Standard Plating : Gold Flash

Selective Plating

Due to technical progress, all designs, specifications and components are subject to change without notice.

Pin Header

pitch 1.27mm (0.05") | Dual row | Dip | Board spacer

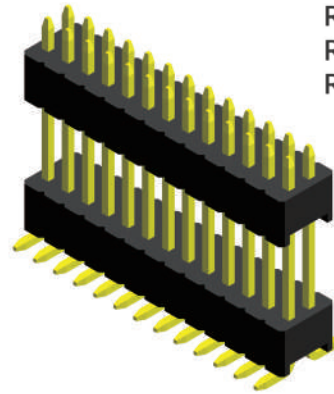
RGPEC231
RGPEC232
RGPEC233
RGPEC235
RGPEC238 Series

Specifications

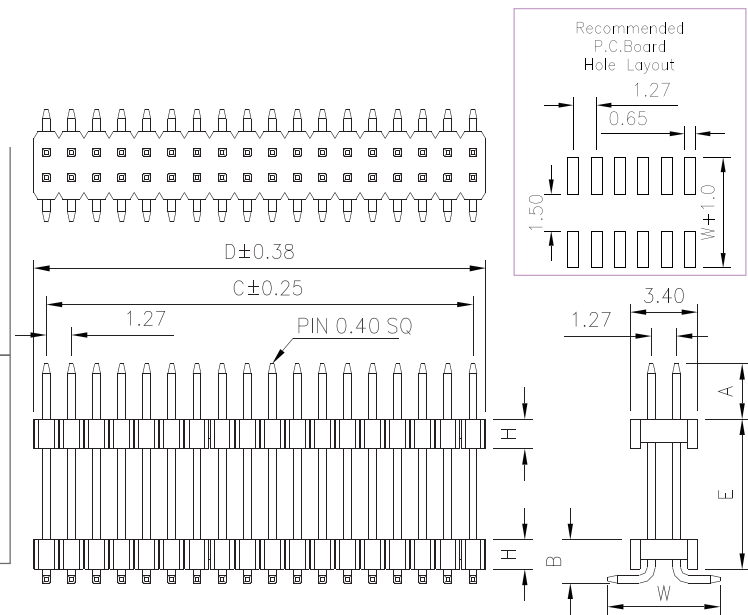
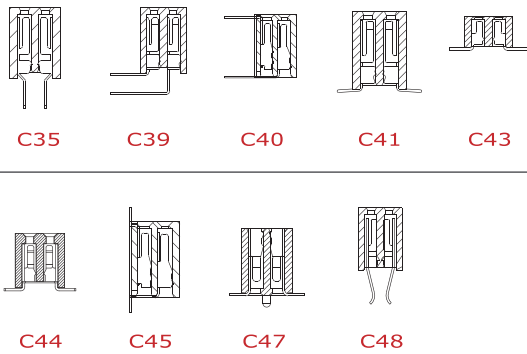
Current Rating :	1.0 Ampere
Insulation Resistance :	1000 MΩ Min
Dielectric Withstanding :	300V AC
Contact Resistance :	20 mΩ Max
Operating Temperature :	-40°C to +105°C

Materials

Contact Material :	Brass
Insulation Material :	High Temperature Thermoplastic, 94V-0 LCP



Mating with



* For Coded Dimension Not Inside The Table, Please Refer To "Ordering Information"

No. of Pins/Row	Dimension Information			No. of Pins/Row	Dimension Information			No. of Pins/Row	Dimension Information			No. of Pins/Row	Dimension Information		
	C	D			C	D			C	D			C	D	
02	1.27	2.54		11	12.70	13.97		21	25.40	26.67		31	38.10	39.37	
03	2.54	3.81		12	13.97	15.24		22	26.67	27.94		32	39.37	40.64	
04	3.81	5.08		13	15.24	16.51		23	27.94	29.21		33	40.64	41.91	
05	5.08	6.35		14	16.51	17.78		24	29.21	30.48		34	41.91	43.18	
06	6.35	7.62		15	17.78	19.05		25	30.48	31.75		35	43.18	44.45	
07	7.62	8.89		16	19.05	20.32		26	31.75	33.02		36	44.45	45.72	
08	8.89	10.16		17	20.32	21.59		27	33.02	34.29		37	45.72	46.99	
09	10.16	11.43		18	21.59	22.86		28	34.29	35.56		38	46.99	48.26	
10	11.43	12.70		19	22.86	24.13		29	35.56	36.83		39	48.26	49.53	
				20	24.13	25.40		30	36.83	38.10		40	49.53	50.80	

Ordering Information

Standard Packaging : Tube

RGPEC2	<input checked="" type="checkbox"/> <input checked="" type="checkbox"/>	-	<input checked="" type="checkbox"/> <input checked="" type="checkbox"/>	<input checked="" type="checkbox"/> <input checked="" type="checkbox"/>	<input checked="" type="checkbox"/> <input checked="" type="checkbox"/> <input checked="" type="checkbox"/>	C1BC
	Height Option (H) Standard		No. of Pins per Row	Standard Plating	<input checked="" type="checkbox"/> <input checked="" type="checkbox"/> <input checked="" type="checkbox"/>	Pin Length (A / B / E / W)
	<input type="checkbox"/> 31 : H= 2.54 <input type="checkbox"/> 32 : H= 1.00		<input type="checkbox"/> 02	<input type="checkbox"/> 02 : Gold Flash RGPEC231...A	<input type="checkbox"/> A	<input type="checkbox"/> 006 : A=3.00/B=2.94/E=6.27/W=4.47
	Height Option (H) Selective		? <input type="checkbox"/> 40	<input type="checkbox"/> 01 : Tin		<input type="checkbox"/> 054 : A=1.90/B=1.50/E=3.70/W=5.50
	<input type="checkbox"/> 33 : H= 1.50 <input type="checkbox"/> 35 : H= 2.00 <input type="checkbox"/> 38 : H= 2.50			<input type="checkbox"/> 05 : Gold Flash / Tin		For special length requirement Please contact our sales personnel

Due to technical progress, all designs, specifications and components are subject to change without notice.

Pin Header

pitch 1.27x2.45mm (0.05"x0.1") | Dual row | S.M.T. | Board spacer

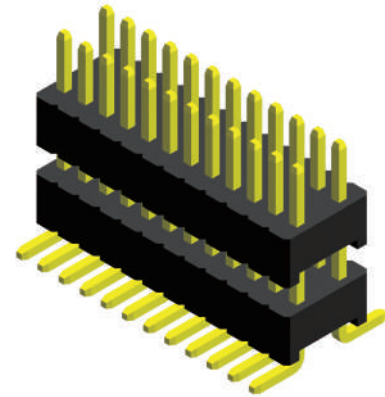
RGPEC260 Series

Specifications

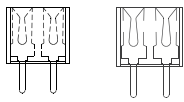
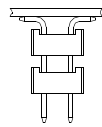
Current Rating :	1.0 Ampere
Insulation Resistance :	1000 MΩ Min
Dielectric Withstanding :	300V AC
Contact Resistance :	20 mΩ Max
Operating Temperature :	-40°C to +105°C

Materials

Contact Material :	Brass
Insulation Material :	High Temperature Thermoplastic, 94V-0 LCP

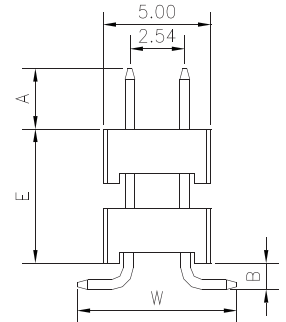
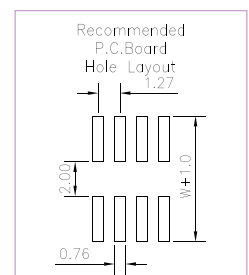
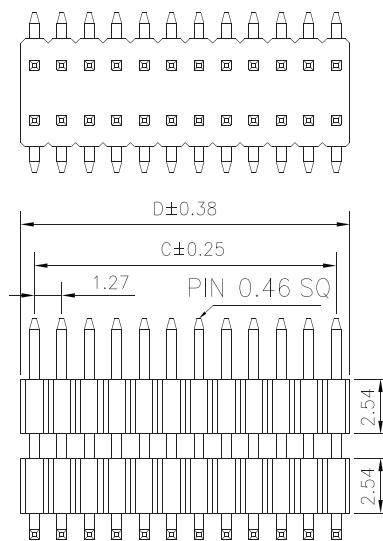


Mating with



C33

C36



* For Coded Dimension Not Inside The Table, Please Refer To "Ordering Information"

No. of Pins/Row	Dimension Information			No. of Pins/Row	Dimension Information			No. of Pins/Row	Dimension Information			No. of Pins/Row	Dimension Information		
	C	D			C	D			C	D			C	D	
02	1.27	2.54		11	12.70	13.97		21	25.40	26.67		31	38.10	39.37	
03	2.54	3.81		12	13.97	15.24		22	26.67	27.94		32	39.37	40.64	
04	3.81	5.08		13	15.24	16.51		23	27.94	29.21		33	40.64	41.91	
05	5.08	6.35		14	16.51	17.78		24	29.21	30.48		34	41.91	43.18	
06	6.35	7.62		15	17.78	19.05		25	30.48	31.75		35	43.18	44.45	
07	7.62	8.89		16	19.05	20.32		26	31.75	33.02		36	44.45	45.72	
08	8.89	10.16		17	20.32	21.59		27	33.02	34.29		37	45.72	46.99	
09	10.16	11.43		18	21.59	22.86		28	34.29	35.56		38	46.99	48.26	
10	11.43	12.70		19	22.86	24.13		29	35.56	36.83		39	48.26	49.53	
				20	24.13	25.40		30	36.83	38.10		40	49.53	50.80	

Ordering Information

Standard Packaging : Tube

RGPEC2	<input checked="" type="checkbox"/> <input checked="" type="checkbox"/>	-	<input checked="" type="checkbox"/> <input checked="" type="checkbox"/>	<input checked="" type="checkbox"/> <input checked="" type="checkbox"/>	<input checked="" type="checkbox"/> <input checked="" type="checkbox"/> <input checked="" type="checkbox"/>	C1BC
	Height Option (H)		No. of Pins per Row	Standard Plating	Pin Length (A/B/E/W)	
	<input type="text" value="60"/>		<input type="text" value="02"/>	<input type="text" value="02"/> : Gold Flash	<input type="text" value="007"/> : A=2.80/B=1.27/E=5.60/W=7.50	
			<input type="text" value="40"/>	Selective Plating	<input type="text" value="009"/> : A=3.00/B=1.30/E=5.08/W=7.50	
				<input type="text" value="01"/> : Tin	For special length requirement	
				<input type="text" value="05"/> : Gold Flash / Tin	Please contact our sales personnel	

Due to technical progress, all designs, specifications and components are subject to change without notice.

Pin Header

pitch 1.27mm (0.05") | Dual row | S.M.T. | Locating peg

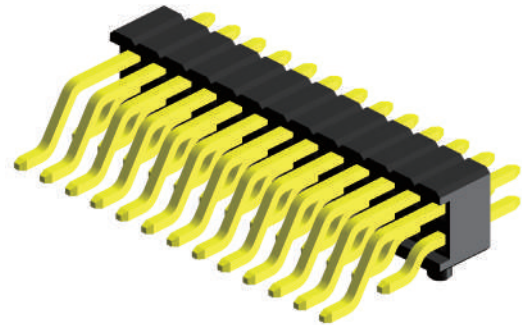
RGPED201 Series

Specifications

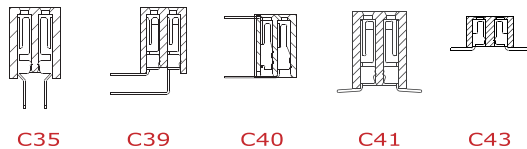
Current Rating :	1.0 Ampere
Insulation Resistance :	1000 MΩ Min
Dielectric Withstanding :	300V AC
Contact Resistance :	20 mΩ Max
Operating Temperature :	-40°C to +105°C

Materials

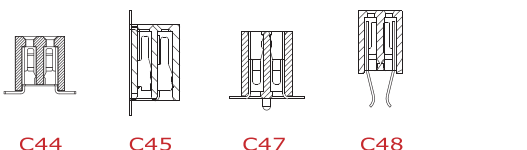
Contact Material :	Brass
Insulation Material :	High Temperature Thermoplastic, 94V-0 LCP



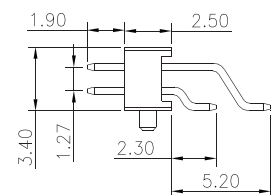
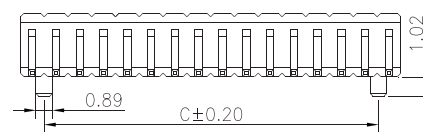
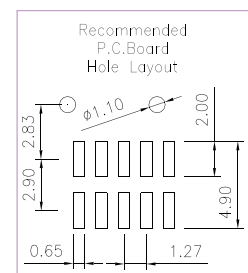
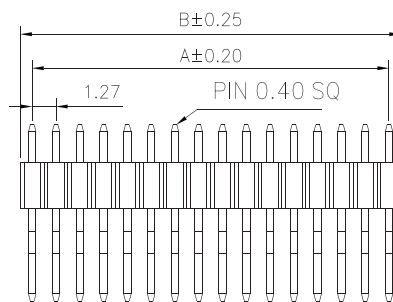
Mating with



C35 C39 C40 C41 C43



C44 C45 C47 C48



* For Coded Dimension Not Inside The Table, Please Refer To "Ordering Information"

No. of Pins/Row	Dimension Information			No. of Pins/Row	Dimension Information			No. of Pins/Row	Dimension Information			No. of Pins/Row	Dimension Information		
	A	B	C		A	B	C		A	B	C		A	B	C
03	2.54	3.81	1.27	11	12.70	13.97	11.43	21	25.40	26.67	24.13	31	38.10	39.37	36.83
04	3.81	5.08	2.54	12	13.97	15.24	12.70	22	26.67	27.94	25.40	32	39.37	40.64	38.10
05	5.08	6.35	3.81	13	15.24	16.51	13.97	23	27.94	29.21	26.67	33	40.64	41.91	39.37
06	6.35	7.62	5.08	14	16.51	17.78	15.24	24	29.21	30.48	27.94				
07	7.62	8.89	6.35	15	17.78	19.05	16.51	25	30.48	31.75	29.21				
08	8.89	10.16	7.62	16	19.05	20.32	17.78	26	31.75	33.02	30.48				
09	10.16	11.43	8.89	17	20.32	21.59	19.05	27	33.02	34.29	31.75				
10	11.43	12.70	10.16	18	21.59	22.86	20.32	28	34.29	35.56	33.02				
				19	22.86	24.13	21.59	29	35.56	36.83	34.29				
				20	24.13	25.40	22.86	30	36.83	38.10	35.56				

Ordering Information

Standard Packaging : Tube

RGPED2	<input type="text" value="XX"/>	-	<input type="text" value="XX"/>	<input type="text" value="XX"/>	B001C1BC
	Height Option (H)		No. of Pins per Row	Standard Plating	
	<input type="text" value="01"/>		<input type="text" value="03"/>	<input type="text" value="02"/> : Gold Flash	
			<input type="text" value="33"/>	Selective Plating	
				<input type="text" value="01"/> : Tin	
				<input type="text" value="05"/> : Gold Flash / Tin	

Due to technical progress, all designs, specifications and components are subject to change without notice.

Female Header ▶

pitch 1.27mm (0.05") | Single row | Dip

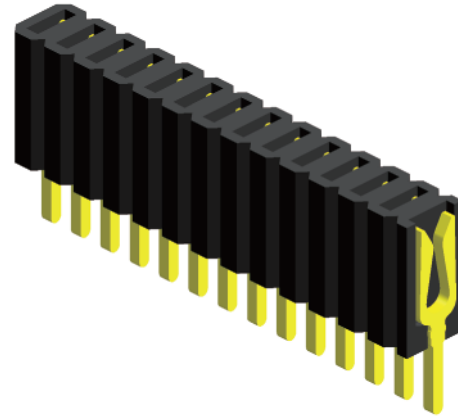
RCSEA101 Series

Specifications

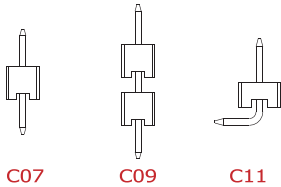
Current Rating :	1.0 Ampere
Insulation Resistance :	1000 MΩ Min
Dielectric Withstanding :	300V AC
Contact Resistance :	20 mΩ Max
Operating Temperature :	-40°C to +105°C

Materials

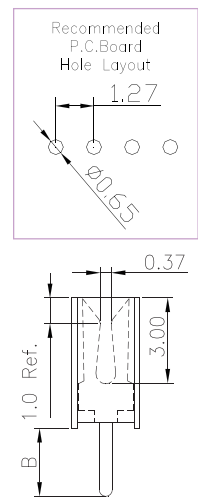
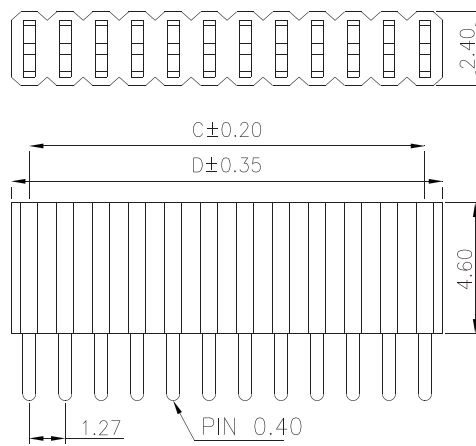
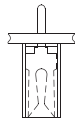
Contact Material :	Phosphor Bronze
Insulation Material :	High Temperature Thermoplastic, 94V-0 LCP



Mating with



P.S. : Suggested mating pin length : 2.0 ~ 2.8 mm



* For Coded Dimension Not Inside The Table, Please Refer To "Ordering Information"

No. of Pins/Row	Dimension Information		No. of Pins/Row	Dimension Information		No. of Pins/Row	Dimension Information		No. of Pins/Row	Dimension Information	
	C	D		C	D		C	D		C	D
02	1.27	2.54	14	16.51	17.78	27	33.02	34.29	40	49.53	50.80
03	2.54	3.81	15	17.78	19.05	28	34.29	35.56	41	50.80	52.07
04	3.81	5.08	16	19.05	20.32	29	35.56	36.83	42	52.07	53.34
05	5.08	6.35	17	20.32	21.59	30	36.83	38.10	43	53.34	54.61
06	6.35	7.62	18	21.59	22.86	31	38.10	39.37	44	54.61	55.88
07	7.62	8.89	19	22.86	24.13	32	39.37	40.64	45	55.88	57.15
08	8.89	10.16	20	24.13	25.40	33	40.64	41.91	46	57.15	57.42
09	10.16	11.43	21	25.40	26.67	34	41.91	43.18	47	57.42	59.69
10	11.43	12.70	22	26.67	27.94	35	43.18	44.45	48	59.69	60.96
11	12.70	13.97	23	27.94	29.21	36	44.45	45.72	49	60.96	62.23
12	13.97	15.24	24	29.21	30.48	37	45.72	46.99	50	62.23	63.50
13	15.24	16.51	25	30.48	31.75	38	46.99	48.26			
			26	31.75	33.02	39	48.26	49.53			

Ordering Information

Standard Packaging : Tube

RCSEA1	<input checked="" type="checkbox"/> <input checked="" type="checkbox"/>	-	<input checked="" type="checkbox"/> <input checked="" type="checkbox"/>	<input checked="" type="checkbox"/> <input checked="" type="checkbox"/>	<input checked="" type="checkbox"/> <input checked="" type="checkbox"/> <input checked="" type="checkbox"/>	C1AC
	Height Option (H) Standard		No. of Pins per Row	Standard Plating	Pin Length (B)	
	<input type="checkbox"/> 01		<input checked="" type="checkbox"/> 03	<input type="checkbox"/> 02 : Gold Flash	<input type="checkbox"/> 001 : B=2.40	
			<input type="checkbox"/> ?	Selective Plating	<input type="checkbox"/> 002 : B=1.50	
			<input checked="" type="checkbox"/> 50	<input type="checkbox"/> 01 : Tin	<input type="checkbox"/> 003 : B=3.00	
				<input type="checkbox"/> 05 : Gold Flash / Tin	For special length requirement Please contact our sales personnel	

Due to technical progress, all designs, specifications and components are subject to change without notice.

Female Header ▶

pitch 1.27mm (0.05") | Single row | Dip

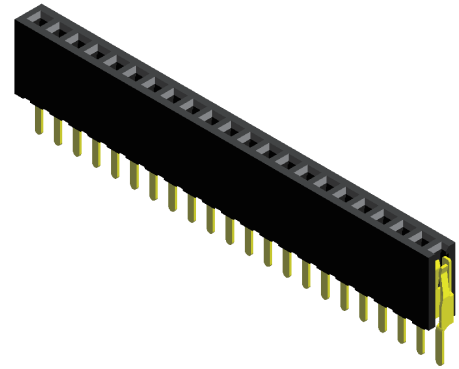
RCSEA102 Series

Specifications

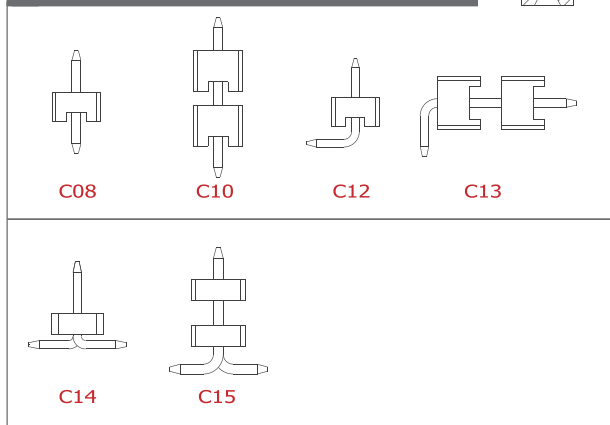
Current Rating :	1.0 Ampere
Insulation Resistance :	1000 MΩ Min
Dielectric Withstanding :	300V AC
Contact Resistance :	20 mΩ Max
Operating Temperature :	-40°C to +105°C

Materials

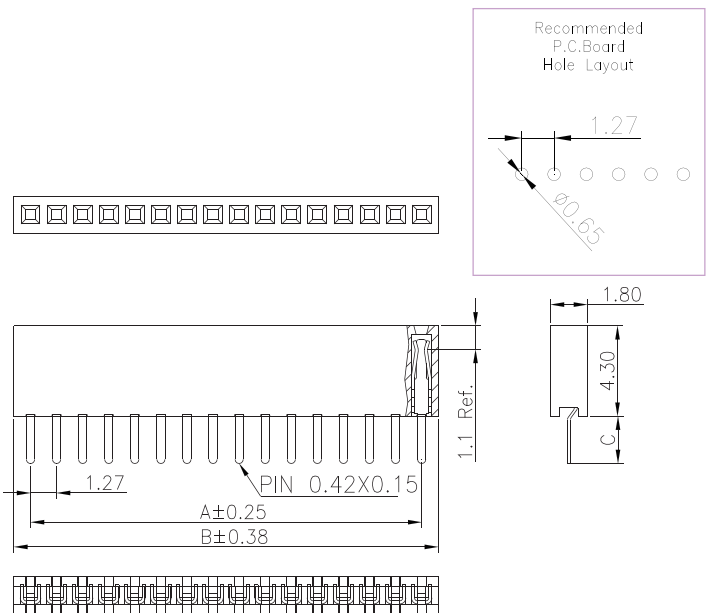
Contact Material :	Phosphor Bronze
Insulation Material :	High Temperature Thermoplastic, 94V-0 LCP



Mating with



P.S. : Suggested mating pin length : 2.0 ~ 4.0 mm



* For Coded Dimension Not Inside The Table, Please Refer To "Ordering Information"

No. of Pins/Row	Dimension Information			No. of Pins/Row	Dimension Information			No. of Pins/Row	Dimension Information			No. of Pins/Row	Dimension Information		
	A	B			A	B			A	B			A	B	
02	1.27	2.94		11	12.70	14.32		21	25.40	27.02		31	38.10	39.72	
03	2.54	4.16		12	13.97	15.59		22	26.67	28.29		32	39.37	40.99	
04	3.81	5.43		13	15.24	16.86		23	27.94	29.56		33	40.64	42.26	
05	5.08	6.70		14	16.51	18.13		24	29.21	30.83		34	41.91	43.53	
06	6.35	7.97		15	17.78	19.40		25	30.48	32.10		35	43.18	44.80	
07	7.62	9.24		16	19.05	20.67		26	31.75	33.37		36	44.45	46.07	
08	8.89	10.51		17	20.32	21.94		27	33.02	34.64		37	45.72	47.34	
09	10.16	11.78		18	21.59	23.21		28	34.29	35.91		38	46.99	48.61	
10	11.43	13.05		19	22.86	24.48		29	35.56	37.18		39	48.26	49.88	
				20	24.13	25.75		30	36.83	38.45		40	49.53	51.15	

Ordering Information

Standard Packaging : Tube

RCSEA1	<input type="checkbox"/> <input checked="" type="checkbox"/> <input type="checkbox"/>	-	<input type="checkbox"/> <input checked="" type="checkbox"/> <input type="checkbox"/>	<input type="checkbox"/> <input checked="" type="checkbox"/> <input type="checkbox"/>	<input type="checkbox"/> <input checked="" type="checkbox"/> <input type="checkbox"/> <input type="checkbox"/> <input type="checkbox"/>	C1AC
	Height Option (H)		No. of Pins per Row	Standard Plating	Pin Length (C)	
	<input type="checkbox"/> <input checked="" type="checkbox"/> <input type="checkbox"/>		<input type="checkbox"/> <input checked="" type="checkbox"/> <input type="checkbox"/>	<input type="checkbox"/> : Tin	<input type="checkbox"/> <input type="checkbox"/> <input type="checkbox"/> : C=2.30	
	<input type="checkbox"/> <input type="checkbox"/> <input checked="" type="checkbox"/>		<input type="checkbox"/> ? <input checked="" type="checkbox"/>	<input type="checkbox"/> : Gold Flash	<input type="checkbox"/> <input type="checkbox"/> <input type="checkbox"/> : C=1.50	
	<input type="checkbox"/> <input type="checkbox"/> <input type="checkbox"/>		<input type="checkbox"/> <input type="checkbox"/> <input checked="" type="checkbox"/>	Selective Plating	For special length requirement Please contact our sales personnel	
	<input type="checkbox"/> <input type="checkbox"/> <input type="checkbox"/>		<input type="checkbox"/> <input type="checkbox"/> <input type="checkbox"/>	<input type="checkbox"/> : Gold Flash / Tin		

Due to technical progress, all designs, specifications and components are subject to change without notice.

Female Header ▶

pitch 1.27mm (0.05") | Single row | Dip

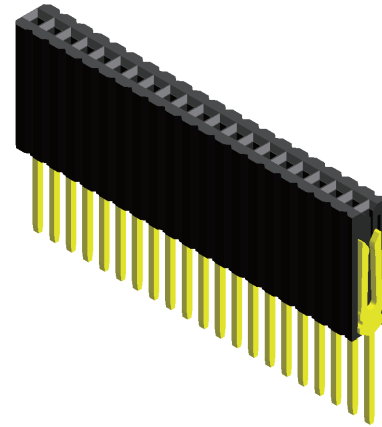
RCSEA113 Series

Specifications

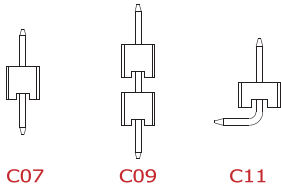
Current Rating :	1.0 Ampere
Insulation Resistance :	1000 MΩ Min
Dielectric Withstanding :	300V AC
Contact Resistance :	20 mΩ Max
Operating Temperature :	-40°C to +105°C

Materials

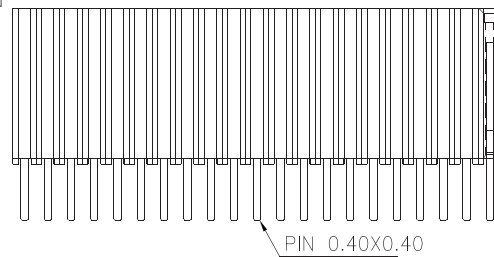
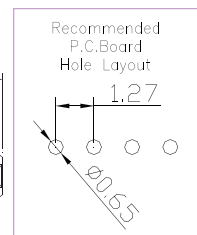
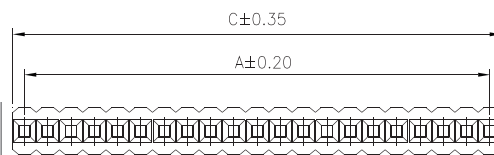
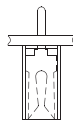
Contact Material :	Phosphor Bronze
Insulation Material :	High Temperature Thermoplastic, 94V-0 LCP



Mating with



P.S. : Suggested mating pin length : 3.5 ~ 6.4 mm



* For Coded Dimension Not Inside The Table, Please Refer To "Ordering Information"

No. of Pins/Row	Dimension Information			No. of Pins/Row	Dimension Information			No. of Pins/Row	Dimension Information			No. of Pins/Row	Dimension Information		
	A	C			A	C			A	C			A	C	
02	1.27	2.54		11	12.70	13.97		21	25.40	26.67		31	38.10	39.37	
03	2.54	3.81		12	13.97	15.24		22	26.67	27.94		32	39.37	40.64	
04	3.81	5.08		13	15.24	16.51		23	27.94	29.21		33	40.64	41.91	
05	5.08	6.35		14	16.51	17.78		24	29.21	30.48		34	41.91	43.18	
06	6.35	7.62		15	17.78	19.05		25	30.48	31.75		35	43.18	44.45	
07	7.62	8.89		16	19.05	20.32		26	31.75	33.02					
08	8.89	10.16		17	20.32	21.59		27	33.02	34.29					
09	10.16	11.43		18	21.59	22.86		28	34.29	35.56					
10	11.43	12.70		19	22.86	24.13		29	35.56	36.83					
				20	24.13	25.40		30	36.83	38.10					

Ordering Information

Standard Packaging : Tube

RCSEA1	<input checked="" type="checkbox"/> <input checked="" type="checkbox"/>	-	<input checked="" type="checkbox"/> <input checked="" type="checkbox"/>	<input checked="" type="checkbox"/> <input checked="" type="checkbox"/>	<input checked="" type="checkbox"/> <input checked="" type="checkbox"/> <input checked="" type="checkbox"/>	C1AC
	Height Option (H) Standard		No. of Pins per Row	Standard Plating	Pin Length (B)	
	<input type="checkbox"/> 13		<input type="checkbox"/> 02 <input type="checkbox"/> ? <input type="checkbox"/> 35	<input type="checkbox"/> 02 : Gold Flash	<input type="checkbox"/> 001 : B=3.00 <input type="checkbox"/> 002 : B=2.70	
				Selective Plating	For special length requirement Please contact our sales personnel	
				<input type="checkbox"/> 01 : Tin		
				<input type="checkbox"/> 05 : Gold Flash / Tin		

Due to technical progress, all designs, specifications and components are subject to change without notice.

Female Header ▶

pitch 1.27mm (0.05") | Single row | R/A

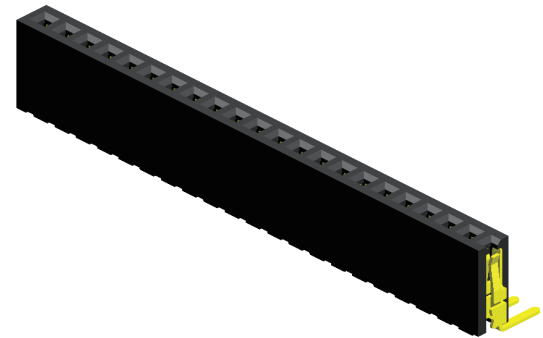
RCSEB102 Series

Specifications

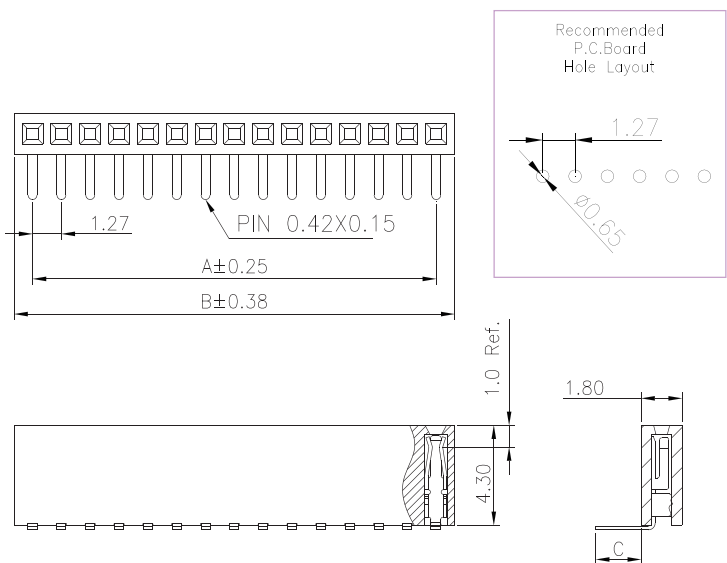
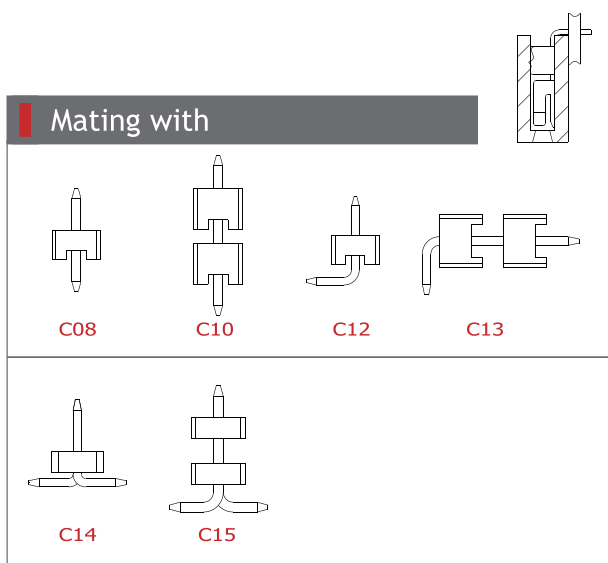
Current Rating :	1.0 Ampere
Insulation Resistance :	1000 MΩ Min
Dielectric Withstanding :	300V AC
Contact Resistance :	20 mΩ Max
Operating Temperature :	-40°C to +105°C

Materials

Contact Material :	Phosphor Bronze
Insulation Material :	High Temperature Thermoplastic, 94V-0 LCP



Mating with



P.S. : Suggested mating pin length : 2.0 ~ 4.0 mm

* For Coded Dimension Not Inside The Table, Please Refer To "Ordering Information"

No. of Pins/Row	Dimension Information			No. of Pins/Row	Dimension Information			No. of Pins/Row	Dimension Information			No. of Pins/Row	Dimension Information		
	A	B			A	B			A	B			A	B	
02	1.27	2.94		11	12.70	14.32		21	25.40	27.02		31	38.10	39.72	
03	2.54	4.16		12	13.97	15.59		22	26.67	28.29		32	39.37	40.99	
04	3.81	5.43		13	15.24	16.86		23	27.94	29.56		33	40.64	42.26	
05	5.08	6.70		14	16.51	18.13		24	29.21	30.83		34	41.91	43.53	
06	6.35	7.97		15	17.78	19.40		25	30.48	32.10		35	43.18	44.80	
07	7.62	9.24		16	19.05	20.67		26	31.75	33.37		36	44.45	46.07	
08	8.89	10.51		17	20.32	21.94		27	33.02	34.64		37	45.72	47.34	
09	10.16	11.78		18	21.59	23.21		28	34.29	35.91		38	46.99	48.61	
10	11.43	13.05		19	22.86	24.48		29	35.56	37.18		39	48.26	49.88	
				20	24.13	25.75		30	36.83	38.45		40	49.53	51.15	

Ordering Information

Standard Packaging : Tube

RCSEB1	<input type="checkbox"/> <input checked="" type="checkbox"/> <input type="checkbox"/>	-	<input type="checkbox"/> <input checked="" type="checkbox"/> <input type="checkbox"/>	<input type="checkbox"/> <input checked="" type="checkbox"/> <input type="checkbox"/>	<input type="checkbox"/> <input checked="" type="checkbox"/> <input type="checkbox"/>	<input checked="" type="checkbox"/> <input type="checkbox"/> <input type="checkbox"/>	C1AC
	Height Option (H)		No. of Pins per Row	Standard Plating	<input type="checkbox"/> A	Pin Length (C)	
	<input type="checkbox"/> <input checked="" type="checkbox"/> <input type="checkbox"/>		<input type="checkbox"/> <input checked="" type="checkbox"/> <input type="checkbox"/>	<input type="checkbox"/> : Tin		<input type="checkbox"/> <input type="checkbox"/> <input type="checkbox"/> : C=2.00	
	<input type="checkbox"/> <input type="checkbox"/> <input checked="" type="checkbox"/>		<input type="checkbox"/> <input type="checkbox"/> <input checked="" type="checkbox"/>	<input type="checkbox"/> : Gold Flash			
			<input type="checkbox"/> <input type="checkbox"/> <input type="checkbox"/>	Selective Plating			
			<input type="checkbox"/> <input type="checkbox"/> <input type="checkbox"/>	<input type="checkbox"/> : Gold Flash / Tin			
							For special length requirement Please contact our sales personnel

Due to technical progress, all designs, specifications and components are subject to change without notice.

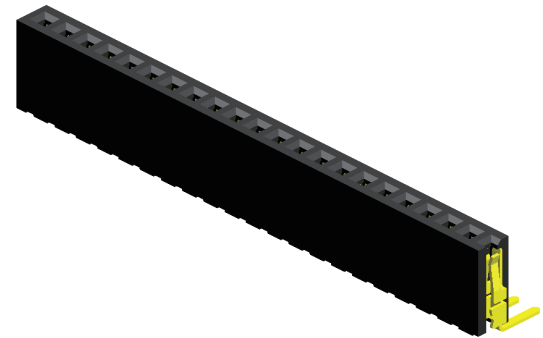
Female Header ▶

pitch 1.27mm (0.05") | Single row | S.M.T.

RCSEC102 Series

Specifications

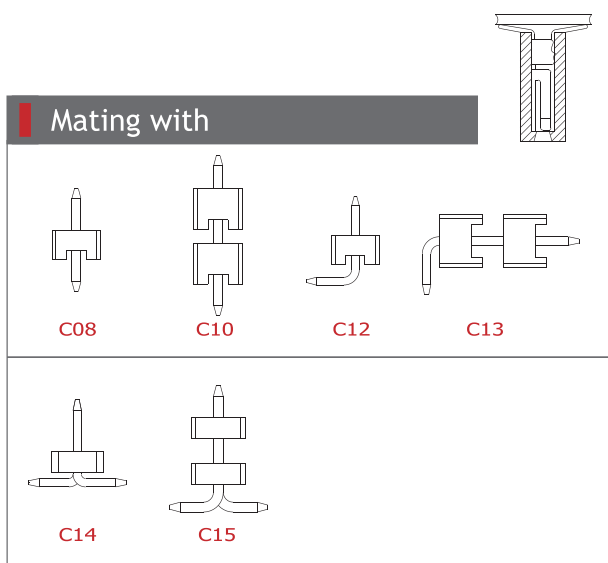
Current Rating :	1.0 Ampere
Insulation Resistance :	1000 MΩ Min
Dielectric Withstanding :	300V AC
Contact Resistance :	20 mΩ Max
Operating Temperature :	-40°C to +105°C



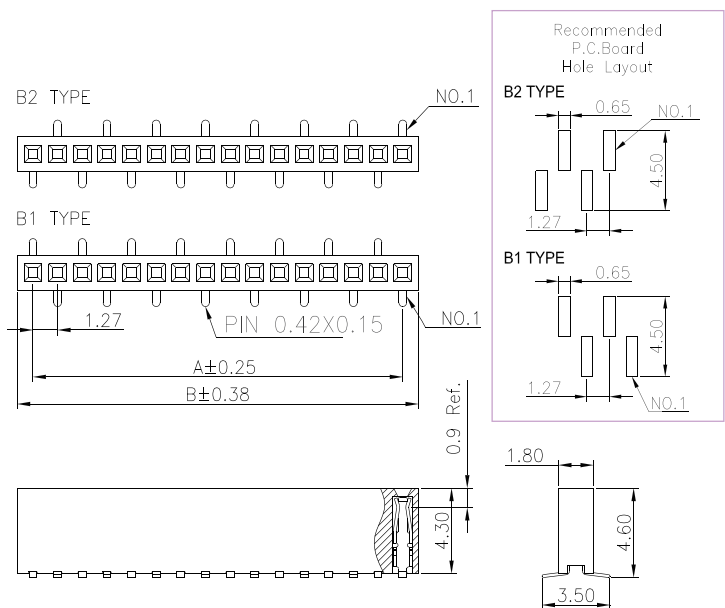
Materials

Contact Material :	Phosphor Bronze
Insulation Material :	High Temperature Thermoplastic, 94V-0 LCP

Mating with



P.S. : Suggested mating pin length : 2.0 ~ 4.0 mm



* For Coded Dimension Not Inside The Table, Please Refer To "Ordering Information"

No. of Pins/Row	Dimension Information		No. of Pins/Row	Dimension Information		No. of Pins/Row	Dimension Information		No. of Pins/Row	Dimension Information	
	A	B		A	B		A	B		A	B
02	1.27	2.94	11	12.70	14.32	21	25.40	27.02	31	38.10	39.72
03	2.54	4.16	12	13.97	15.59	22	26.67	28.29	32	39.37	40.99
04	3.81	5.43	13	15.24	16.86	23	27.94	29.56	33	40.64	42.26
05	5.08	6.70	14	16.51	18.13	24	29.21	30.83	34	41.91	43.53
06	6.35	7.97	15	17.78	19.40	25	30.48	32.10	35	43.18	44.80
07	7.62	9.24	16	19.05	20.67	26	31.75	33.37	36	44.45	46.07
08	8.89	10.51	17	20.32	21.94	27	33.02	34.64	37	45.72	47.34
09	10.16	11.78	18	21.59	23.21	28	34.29	35.91	38	46.99	48.61
10	11.43	13.05	19	22.86	24.48	29	35.56	37.18	39	48.26	49.88
			20	24.13	25.75	30	36.83	38.45	40	49.53	51.15

Ordering Information

Standard Packaging : Tube

RCSEC1	<input type="checkbox"/> <input checked="" type="checkbox"/> <input type="checkbox"/>	-	<input type="checkbox"/> <input checked="" type="checkbox"/> <input type="checkbox"/>	<input type="checkbox"/> <input checked="" type="checkbox"/> <input type="checkbox"/>	<input type="checkbox"/> <input checked="" type="checkbox"/> <input checked="" type="checkbox"/> <input type="checkbox"/>	C1AC
	Height Option (H)		No. of Pins per Row	Standard Plating	Pin Length	
	<input type="checkbox"/> <input checked="" type="checkbox"/> <input type="checkbox"/>		<input type="checkbox"/> <input checked="" type="checkbox"/> <input type="checkbox"/>	<input type="checkbox"/> <input type="checkbox"/> : Tin <input type="checkbox"/> <input checked="" type="checkbox"/> : Gold Flash	<input type="checkbox"/> <input type="checkbox"/> <input type="checkbox"/> : B1 Type <input type="checkbox"/> <input type="checkbox"/> <input checked="" type="checkbox"/> : B2 Type	
	<input type="checkbox"/> <input type="checkbox"/> <input checked="" type="checkbox"/>		<input type="checkbox"/> <input type="checkbox"/> <input checked="" type="checkbox"/>	Selective Plating		
			<input type="checkbox"/> <input type="checkbox"/> <input checked="" type="checkbox"/>	<input type="checkbox"/> <input type="checkbox"/> <input checked="" type="checkbox"/> : Gold Flash / Tin		

Due to technical progress, all designs, specifications and components are subject to change without notice.

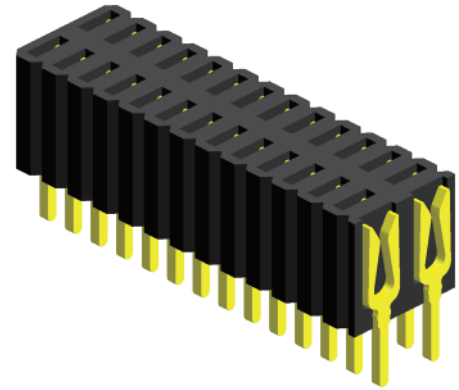
Female Header

pitch 1.27x2.45mm (0.05"x0.1") | Dual row | Dip

RCSEA201 Series

Specifications

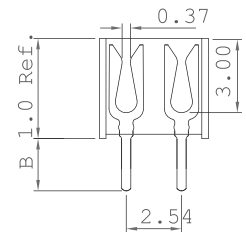
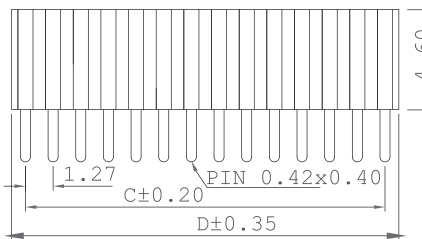
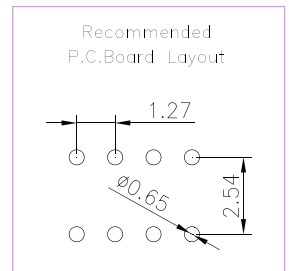
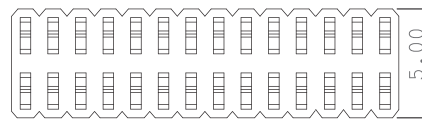
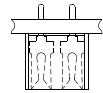
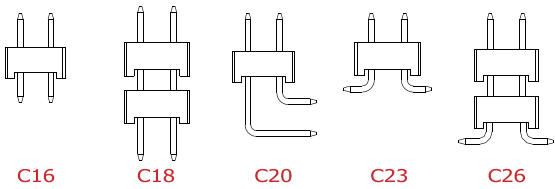
Current Rating :	1.0 Ampere
Insulation Resistance :	1000 MΩ Min
Dielectric Withstanding :	300V AC
Contact Resistance :	20 mΩ Max
Operating Temperature :	-40°C to +105°C



Materials

Contact Material :	Phosphor Bronze
Insulation Material :	High Temperature Thermoplastic, 94V-0 LCP

Mating with



* For Coded Dimension Not Inside The Table, Please Refer To "Ordering Information"

No. of Pins/Row	Dimension Information			No. of Pins/Row	Dimension Information			No. of Pins/Row	Dimension Information			No. of Pins/Row	Dimension Information		
	C	D			C	D			C	D			C	D	
03	2.54	3.81		14	16.51	17.78		27	33.02	34.29		40	49.53	50.80	
04	3.81	5.08		15	17.78	19.05		28	34.29	35.56		41	50.80	52.07	
05	5.08	6.35		16	19.05	20.32		29	35.56	36.83		42	52.07	53.34	
06	6.35	7.62		17	20.32	21.59		30	36.83	38.10		43	53.34	54.61	
07	7.62	8.89		18	21.59	22.86		31	38.10	39.37		44	54.61	55.88	
08	8.89	10.16		19	22.86	24.13		32	39.37	40.64		45	55.88	57.15	
09	10.16	11.43		20	24.13	25.40		33	40.64	41.91		46	57.15	57.42	
10	11.43	12.70		21	25.40	26.67		34	41.91	43.18		47	57.42	59.69	
11	12.70	13.97		22	26.67	27.94		35	43.18	44.45		48	59.69	60.96	
12	13.97	15.24		23	27.94	29.21		36	44.45	45.72		49	60.96	62.23	
13	15.24	16.51		24	29.21	30.48		37	45.72	46.99		50	62.23	63.50	
				25	30.48	31.75		38	46.99	48.26					
				26	31.75	33.02		39	48.26	49.53					

Ordering Information

Standard Packaging : Tube

RCSEA2	<input checked="" type="checkbox"/> <input checked="" type="checkbox"/>	-	<input checked="" type="checkbox"/> <input checked="" type="checkbox"/>	<input checked="" type="checkbox"/> <input checked="" type="checkbox"/>	<input checked="" type="checkbox"/> <input checked="" type="checkbox"/> <input checked="" type="checkbox"/>	C1AC
	Height Option (H) Standard		No. of Pins per Row	Standard Plating	Pin Length (B)	
	<input type="checkbox"/> <input type="checkbox"/>		<input type="checkbox"/> <input type="checkbox"/>	<input type="checkbox"/> : Gold Flash	<input type="checkbox"/> : B=2.40	
	<input type="checkbox"/> <input type="checkbox"/>		<input type="checkbox"/> <input type="checkbox"/>	Selective Plating	<input type="checkbox"/> : B=3.00	
	<input type="checkbox"/> <input type="checkbox"/>		<input type="checkbox"/> <input type="checkbox"/>	<input type="checkbox"/> : Tin	<input type="checkbox"/> : B=2.00	
	<input type="checkbox"/> <input type="checkbox"/>		<input type="checkbox"/> <input type="checkbox"/>	<input type="checkbox"/> : Gold Flash / Tin	For special length requirement Please contact our sales personnel	

Due to technical progress, all designs, specifications and components are subject to change without notice.

Female Header

pitch 1.27mm (0.05") | Dual row | Dip

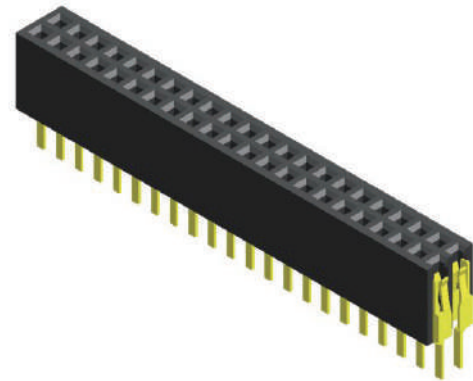
RCSEA202
RCSEA207 Series

Specifications

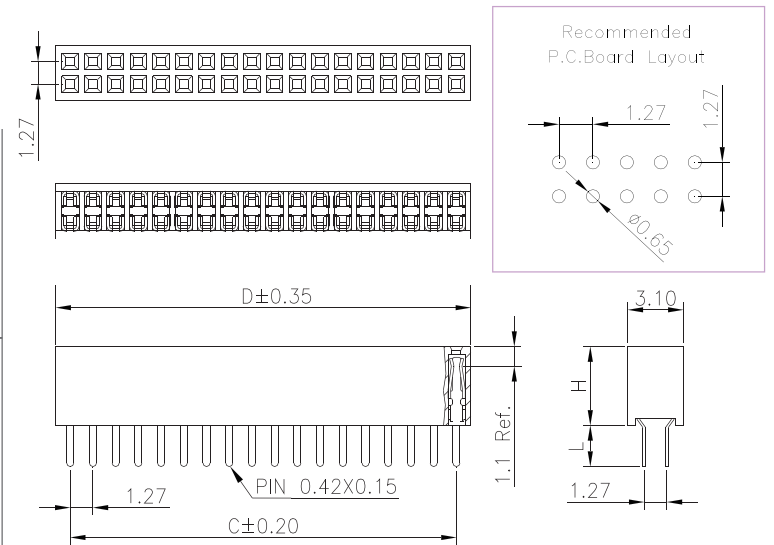
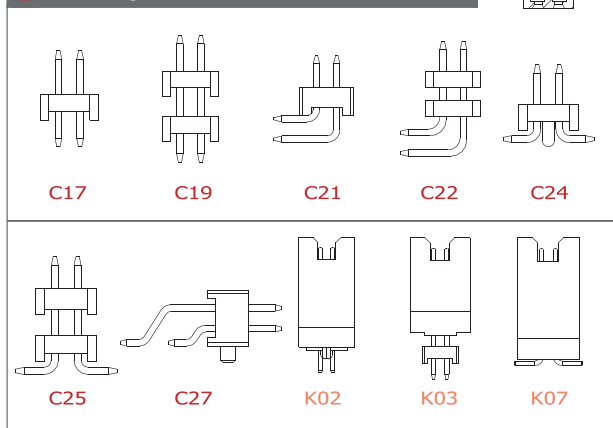
Current Rating :	1.0 Ampere
Insulation Resistance :	1000 MΩ Min
Dielectric Withstanding :	300V AC
Contact Resistance :	20 mΩ Max
Operating Temperature :	-40°C to +105°C

Materials

Contact Material :	Phosphor Bronze
Insulation Material :	High Temperature Thermoplastic, 94V-0 LCP



Mating with



P.S. : Suggested mating pin length : 2.0 ~ 3.2/4.2 mm

* For Coded Dimension Not Inside The Table, Please Refer To "Ordering Information"

No. of Pins/Row	Dimension Information		No. of Pins/Row	Dimension Information		No. of Pins/Row	Dimension Information		No. of Pins/Row	Dimension Information	
	C	D		C	D		C	D		C	D
03	2.54	4.16	14	16.51	18.13	27	33.02	34.64	40	49.53	51.15
04	3.81	5.43	15	17.78	19.40	28	34.29	35.91	41	50.80	52.42
05	5.08	6.70	16	19.05	20.67	29	35.56	37.18	42	52.07	53.69
06	6.35	7.97	17	20.32	21.94	30	36.83	38.45	43	53.34	54.96
07	7.62	9.24	18	21.59	23.21	31	38.10	39.72	44	54.61	56.23
08	8.89	10.51	19	22.86	24.48	32	39.37	40.99	45	55.88	57.50
09	10.16	11.78	20	24.13	25.75	33	40.64	42.26	46	57.15	58.77
10	11.43	13.05	21	25.40	27.02	34	41.91	43.53	47	57.42	60.04
11	12.70	14.32	22	26.67	28.29	35	43.18	44.80	48	59.69	61.31
12	13.97	15.59	23	27.94	29.56	36	44.45	46.07	49	60.96	62.58
13	15.24	16.86	24	29.21	30.83	37	45.72	47.34	50	62.23	63.85
			25	30.48	32.10	38	46.99	48.61			
			26	31.75	33.37	39	48.26	49.88			

Ordering Information

RCSEA2	<input checked="" type="checkbox"/> <input checked="" type="checkbox"/>	-	<input checked="" type="checkbox"/> <input checked="" type="checkbox"/>	<input checked="" type="checkbox"/> <input checked="" type="checkbox"/>	<input checked="" type="checkbox"/> <input checked="" type="checkbox"/> <input checked="" type="checkbox"/>	C1AC
	Height Option (H)		No. of Pins per Row	Standard Plating	Pin Length (L)	
	<input type="checkbox"/> 02 : H=4.40		<input type="checkbox"/> 03	<input type="checkbox"/> 02 : Gold Flash	<input type="checkbox"/> 001 : L=2.30	
	<input type="checkbox"/> 07 : H=3.40		<input type="checkbox"/> ?	CSEA202...A	<input type="checkbox"/> 003 : L=1.00	
			<input type="checkbox"/> 50	CSEA207...A		
				Selective Plating		
				<input type="checkbox"/> 01 : Tin		
				<input type="checkbox"/> 05 : Gold Flash / Tin		
					For special length requirement Please contact our sales personnel	

Standard Packaging : Tube

Due to technical progress, all designs, specifications and components are subject to change without notice.

Female Header ▶

pitch 1.27x2.45mm (0.05"x0.1") | Dual row | Dip

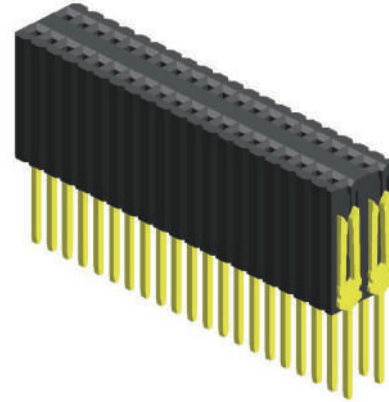
RCSEA213 Series

Specifications

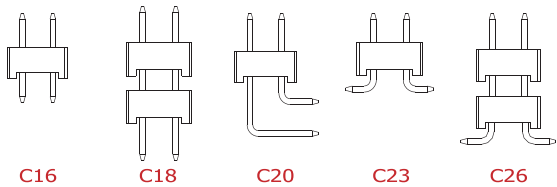
Current Rating :	1.0 Ampere
Insulation Resistance :	1000 MΩ Min
Dielectric Withstanding :	300V AC
Contact Resistance :	20 mΩ Max
Operating Temperature :	-40°C to +105°C

Materials

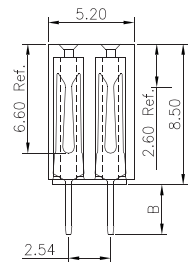
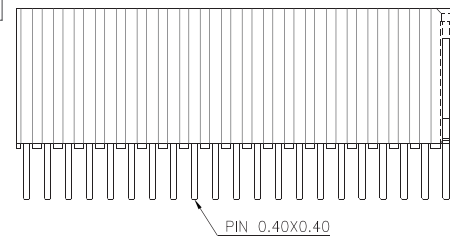
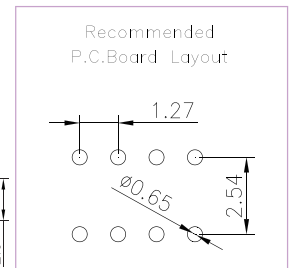
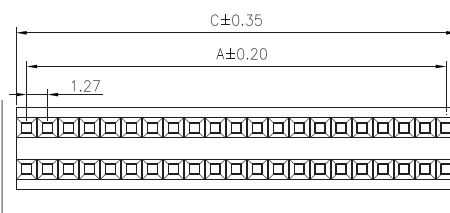
Contact Material :	Phosphor Bronze
Insulation Material :	High Temperature Thermoplastic, 94V-0 LCP



Mating with



P.S. : Suggested mating pin length : 3.5 ~ 6.4 mm



* For Coded Dimension Not Inside The Table, Please Refer To "Ordering Information"

No. of Pins/Row	Dimension Information			No. of Pins/Row	Dimension Information			No. of Pins/Row	Dimension Information			No. of Pins/Row	Dimension Information		
	A	C			A	C			A	C			A	C	
02	1.27	2.54		11	12.70	13.97		21	25.40	26.67		31	38.10	39.37	
03	2.54	3.81		12	13.97	15.24		22	26.67	27.94		32	39.37	40.64	
04	3.81	5.08		13	15.24	16.51		23	27.94	29.21		33	40.64	41.91	
05	5.08	6.35		14	16.51	17.78		24	29.21	30.48		34	41.91	43.18	
06	6.35	7.62		15	17.78	19.05		25	30.48	31.75		35	43.18	44.45	
07	7.62	8.89		16	19.05	20.32		26	31.75	33.02					
08	8.89	10.16		17	20.32	21.59		27	33.02	34.29					
09	10.16	11.43		18	21.59	22.86		28	34.29	35.56					
10	11.43	12.70		19	22.86	24.13		29	35.56	36.83					
				20	24.13	25.40		30	36.83	38.10					

Ordering Information

Standard Packaging : Tube

RCSEA2	<input checked="" type="checkbox"/> <input checked="" type="checkbox"/>	-	<input checked="" type="checkbox"/> <input checked="" type="checkbox"/>	<input checked="" type="checkbox"/> <input checked="" type="checkbox"/>	<input checked="" type="checkbox"/> <input checked="" type="checkbox"/> <input checked="" type="checkbox"/>	C1AC
	Height Option (H) Standard		No. of Pins per Row	Standard Plating	<input checked="" type="checkbox"/> <input checked="" type="checkbox"/> <input checked="" type="checkbox"/>	Pin Length (B)
	<input type="checkbox"/> 13		<input checked="" type="checkbox"/> 02 ? <input checked="" type="checkbox"/> 35	<input type="checkbox"/> 02 : Gold Flash	<input type="checkbox"/> A	<input type="checkbox"/> 001 : B=3.00
				Selective Plating		For special length requirement Please contact our sales personnel
				<input type="checkbox"/> 01 : Tin		
				<input type="checkbox"/> 05 : Gold Flash / Tin		

Due to technical progress, all designs, specifications and components are subject to change without notice.

Female Header ▶

pitch 1.27mm (0.05") | Dual row | Dip | Polarization

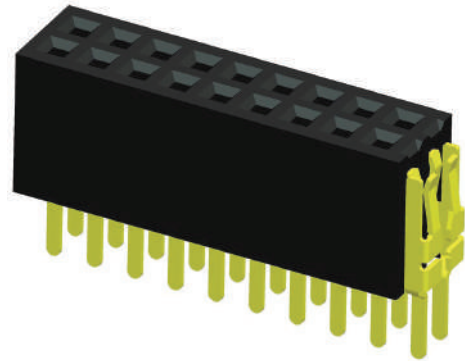
RCSEA232 Series

Specifications

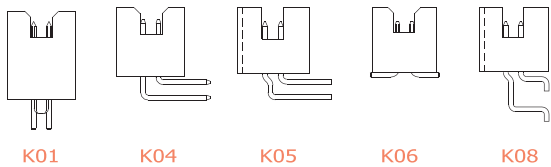
Current Rating :	1.0 Ampere
Insulation Resistance :	1000 MΩ Min
Dielectric Withstanding :	300V AC
Contact Resistance :	20 mΩ Max
Operating Temperature :	-40°C to +105°C

Materials

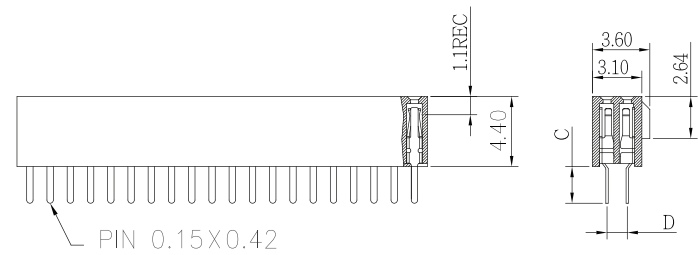
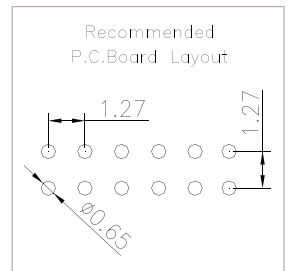
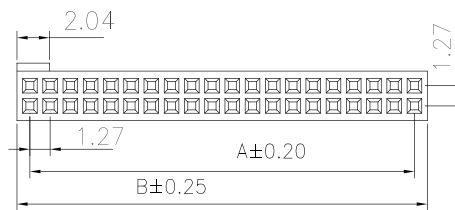
Contact Material :	Phosphor Bronze
Insulation Material :	High Temperature Thermoplastic, 94V-0 Nylon



Mating with



P.S. : Suggested mating pin length : 2.0 ~ 4.2 mm



* For Coded Dimension Not Inside The Table, Please Refer To "Ordering Information"

No. of Pins/Row	Dimension Information		No. of Pins/Row	Dimension Information		No. of Pins/Row	Dimension Information		No. of Pins/Row	Dimension Information	
	A	B		A	B		A	B		A	B
03	2.54	4.16	14	16.51	18.13	27	33.02	34.64	40	49.53	51.15
04	3.81	5.43	15	17.78	19.40	28	34.29	35.91	41	50.80	52.42
05	5.08	6.70	16	19.05	20.67	29	35.56	37.18	42	52.07	53.69
06	6.35	7.97	17	20.32	21.94	30	36.83	38.45	43	53.34	54.96
07	7.62	9.24	18	21.59	23.21	31	38.10	39.72	44	54.61	56.23
08	8.89	10.51	19	22.86	24.48	32	39.37	40.99	45	55.88	57.50
09	10.16	11.78	20	24.13	25.75	33	40.64	42.26	46	57.15	58.77
10	11.43	13.05	21	25.40	27.02	34	41.91	43.53	47	57.42	60.04
11	12.70	14.32	22	26.67	28.29	35	43.18	44.80	48	59.69	61.31
12	13.97	15.59	23	27.94	29.56	36	44.45	46.07	49	60.96	62.58
13	15.24	16.86	24	29.21	30.83	37	45.72	47.34	50	62.23	63.85
			25	30.48	32.10	38	46.99	48.61			
			26	31.75	33.37	39	48.26	49.88			

Ordering Information

Standard Packaging : Tube

RCSEA2	<input checked="" type="checkbox"/> <input checked="" type="checkbox"/>	-	<input checked="" type="checkbox"/> <input checked="" type="checkbox"/>	<input checked="" type="checkbox"/> <input checked="" type="checkbox"/>	<input checked="" type="checkbox"/> <input checked="" type="checkbox"/> <input checked="" type="checkbox"/>	R1AC
	Height Option (H)		No. of Pins per Row	Standard Plating	Pin Length (C / D)	
	<input type="checkbox"/> 32 : H=4.40		<input type="checkbox"/> 03 ? <input type="checkbox"/> 50	<input type="checkbox"/> 02 : Gold Flash	<input type="checkbox"/> 001 : C=2.30 / D=1.27 <input type="checkbox"/> 007 : C=3.05 / D=1.27	
				Selective Plating	For special length requirement Please contact our sales personnel	
				<input type="checkbox"/> 01 : Tin		
				<input type="checkbox"/> 05 : Gold Flash / Tin		

Due to technical progress, all designs, specifications and components are subject to change without notice.

Female Header ▶

pitch 1.27mm (0.05") | Dual row | Dip | Polarization

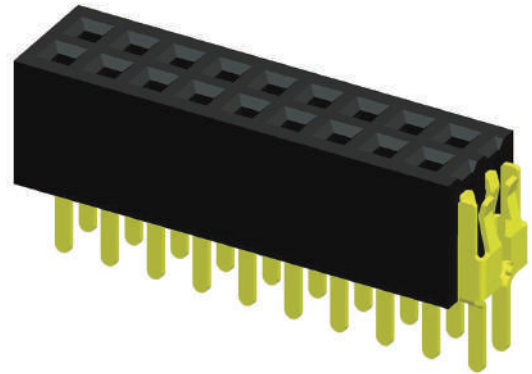
RCSEA230 Series

Specifications

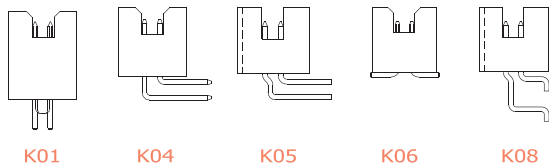
Current Rating :	1.0 Ampere
Insulation Resistance :	1000 MΩ Min
Dielectric Withstanding :	300V AC
Contact Resistance :	20 mΩ Max
Operating Temperature :	-40°C to +105°C

Materials

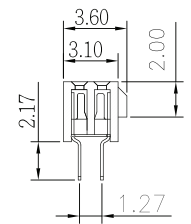
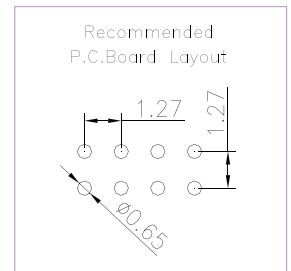
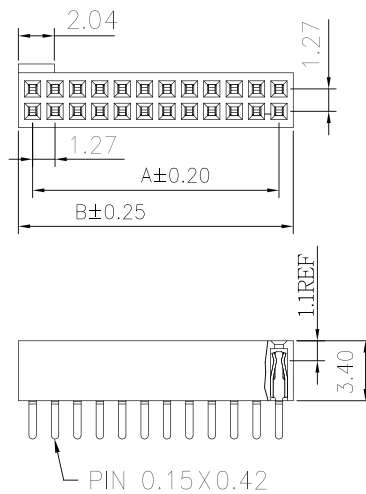
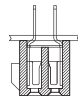
Contact Material :	Phosphor Bronze
Insulation Material :	High Temperature Thermoplastic, 94V-0 LCP



Mating with



P.S. : Suggested mating pin length : 2.0 ~ 3.2 mm



* For Coded Dimension Not Inside The Table, Please Refer To "Ordering Information"

No. of Pins/Row	Dimension Information		No. of Pins/Row	Dimension Information		No. of Pins/Row	Dimension Information		No. of Pins/Row	Dimension Information	
	A	B		A	B		A	B		A	B
03	2.54	4.16	14	16.51	18.13	27	33.02	34.64	40	49.53	51.15
04	3.81	5.43	15	17.78	19.40	28	34.29	35.91	41	50.80	52.42
05	5.08	6.70	16	19.05	20.67	29	35.56	37.18	42	52.07	53.69
06	6.35	7.97	17	20.32	21.94	30	36.83	38.45	43	53.34	54.96
07	7.62	9.24	18	21.59	23.21	31	38.10	39.72	44	54.61	56.23
08	8.89	10.51	19	22.86	24.48	32	39.37	40.99	45	55.88	57.50
09	10.16	11.78	20	24.13	25.75	33	40.64	42.26	46	57.15	58.77
10	11.43	13.05	21	25.40	27.02	34	41.91	43.53	47	57.42	60.04
11	12.70	14.32	22	26.67	28.29	35	43.18	44.80	48	59.69	61.31
12	13.97	15.59	23	27.94	29.56	36	44.45	46.07	49	60.96	62.58
13	15.24	16.86	24	29.21	30.83	37	45.72	47.34	50	62.23	63.85
			25	30.48	32.10	38	46.99	48.61			
			26	31.75	33.37	39	48.26	49.88			

Ordering Information

Standard Packaging : Box

RCSEA2	<input checked="" type="checkbox"/> <input checked="" type="checkbox"/>	-	<input checked="" type="checkbox"/> <input checked="" type="checkbox"/>	<input checked="" type="checkbox"/> <input checked="" type="checkbox"/>	<input checked="" type="checkbox"/> <input checked="" type="checkbox"/> <input checked="" type="checkbox"/>	C1AA
	Height Option (H)		No. of Pins per Row	Standard Plating	Pin Length (C / D)	
	<input type="checkbox"/> 30 : H=3.40		<input type="checkbox"/> 03 ? <input type="checkbox"/> 50	<input type="checkbox"/> 02 : Gold Flash	<input type="checkbox"/> 001	
				Selective Plating		For special length requirement Please contact our sales personnel
				<input type="checkbox"/> 01 : Tin		
				<input type="checkbox"/> 05 : Gold Flash / Tin		

Due to technical progress, all designs, specifications and components are subject to change without notice.

Female Header ▶

pitch 1.27mm (0.05") | Dual row | R/A

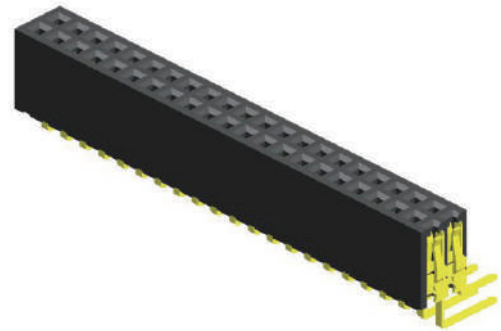
RCSEB202 Series

Specifications

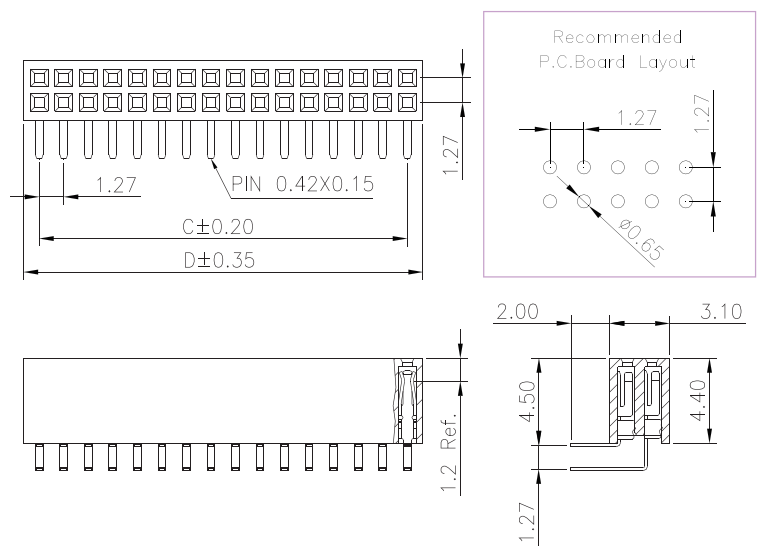
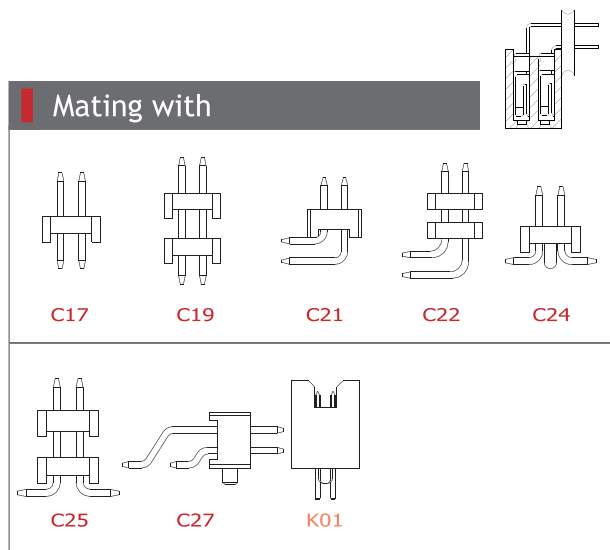
Current Rating : 1.0 Ampere
 Insulation Resistance : 1000 MΩ Min
 Dielectric Withstanding : 300V AC
 Contact Resistance : 20 mΩ Max
 Operating Temperature : -40°C to +105°C

Materials

Contact Material : Phosphor Bronze
 Insulation Material : High Temperature Thermoplastic, 94V-0 LCP



Mating with



P.S. : Suggested mating pin length : 2.0 ~ 4.2 mm

* For Coded Dimension Not Inside The Table, Please Refer To "Ordering Information"

No. of Pins/Row	Dimension Information		No. of Pins/Row	Dimension Information		No. of Pins/Row	Dimension Information		No. of Pins/Row	Dimension Information	
	C	D		C	D		C	D		C	D
03	2.54	4.16	14	16.51	18.13	27	33.02	34.64	40	49.53	51.15
04	3.81	5.43	15	17.78	19.40	28	34.29	35.91	41	50.80	52.42
05	5.08	6.70	16	19.05	20.67	29	35.56	37.18	42	52.07	53.69
06	6.35	7.97	17	20.32	21.94	30	36.83	38.45	43	53.34	54.96
07	7.62	9.24	18	21.59	23.21	31	38.10	39.72	44	54.61	56.23
08	8.89	10.51	19	22.86	24.48	32	39.37	40.99	45	55.88	57.50
09	10.16	11.78	20	24.13	25.75	33	40.64	42.26	46	57.15	58.77
10	11.43	13.05	21	25.40	27.02	34	41.91	43.53	47	57.42	60.04
11	12.70	14.32	22	26.67	28.29	35	43.18	44.80	48	59.69	61.31
12	13.97	15.59	23	27.94	29.56	36	44.45	46.07	49	60.96	62.58
13	15.24	16.86	24	29.21	30.83	37	45.72	47.34	50	62.23	63.85
			25	30.48	32.10	38	46.99	48.61			
			26	31.75	33.37	39	48.26	49.88			

Ordering Information

Standard Packaging : Tube

RCSEB2 - A001C1AC

Height Option (H) No. of Pins per Row Standard Plating : Tin

: Gold Flash

Selective Plating : Gold Flash / Tin

Due to technical progress, all designs, specifications and components are subject to change without notice.

Female Header

pitch 1.27mm (0.05") | Dual row | R/A

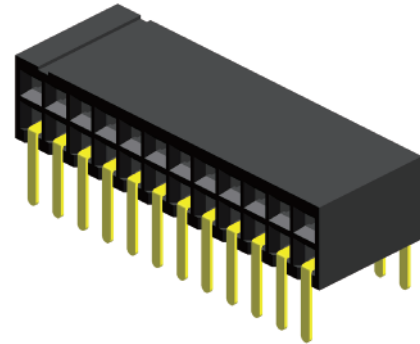
RCSEB214 Series

Specifications

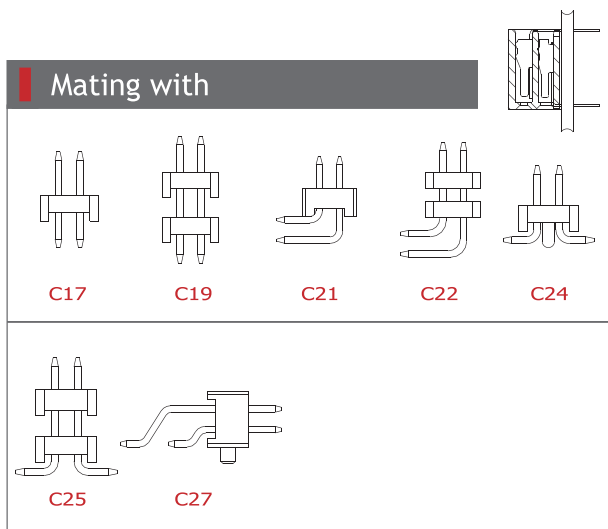
Current Rating :	1.0 Ampere
Insulation Resistance :	1000 MΩ Min
Dielectric Withstanding :	300V AC
Contact Resistance :	20 mΩ Max
Operating Temperature :	-40°C to +105°C

Materials

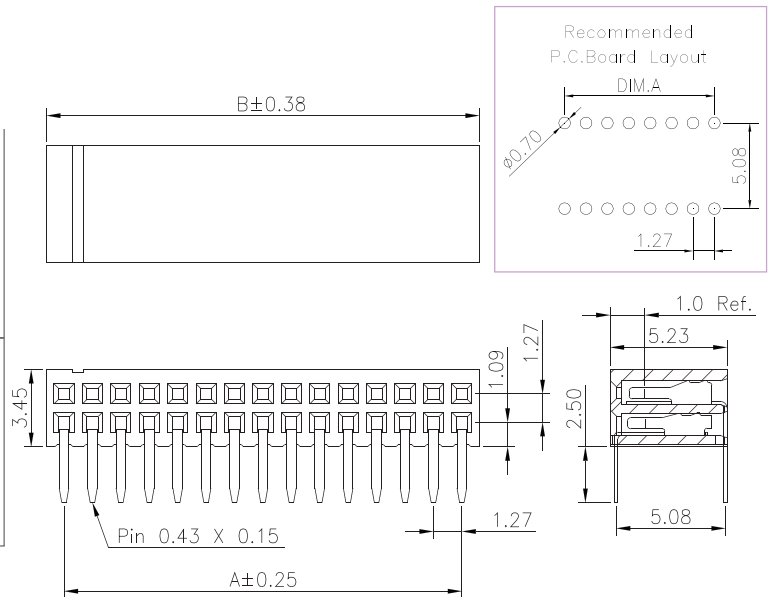
Contact Material :	Phosphor Bronze
Insulation Material :	High Temperature Thermoplastic, 94V-0 LCP



Mating with



P.S. : Suggested mating pin length : 2.0 ~ 5.0 mm



* For Coded Dimension Not Inside The Table, Please Refer To "Ordering Information"

No. of Pins/Row	Dimension Information			No. of Pins/Row	Dimension Information			No. of Pins/Row	Dimension Information			No. of Pins/Row	Dimension Information		
	A	B			A	B			A	B			A	B	
02	1.27	2.84		11	12.70	14.27		21	25.40	26.97		31	38.10	39.67	
03	2.54	4.11		12	13.97	15.54		22	26.67	28.24		32	39.37	40.94	
04	3.81	5.38		13	15.24	16.81		23	27.94	29.51		33	40.64	42.21	
05	5.08	6.65		14	16.51	18.08		24	29.21	30.78		34	41.91	43.48	
06	6.35	7.92		15	17.78	19.35		25	30.48	32.05		35	43.18	44.75	
07	7.62	9.19		16	19.05	20.62		26	31.75	33.32		36	44.45	46.02	
08	8.89	10.46		17	20.32	21.89		27	33.02	34.59		37	45.72	47.29	
09	10.16	11.73		18	21.59	23.16		28	34.29	35.86		38	46.99	48.56	
10	11.43	13.00		19	22.86	24.43		29	35.56	37.13		39	48.26	49.83	
				20	24.13	25.70		30	36.83	38.40		40	49.53	51.10	

Ordering Information

Standard Packaging : Tube

RCSEB2	<input type="text" value="XX"/>	-	<input type="text" value="XX"/>	<input type="text" value="XX"/>	A002C1AC
	Height Option (H)		No. of Pins per Row	Standard Plating	
	<input type="text" value="14"/>		<input type="text" value="02"/>	<input type="text" value="02"/> : Gold Flash	
			<input type="text" value="40"/>	Selective Plating	
				<input type="text" value="01"/> : Tin	
				<input type="text" value="05"/> : Gold Flash / Tin	

Due to technical progress, all designs, specifications and components are subject to change without notice.

Female Header ▶

pitch 1.27mm (0.05") | Dual row | S.M.T.

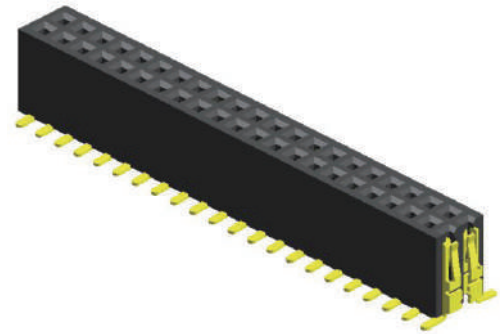
RCSEC202 Series

Specifications

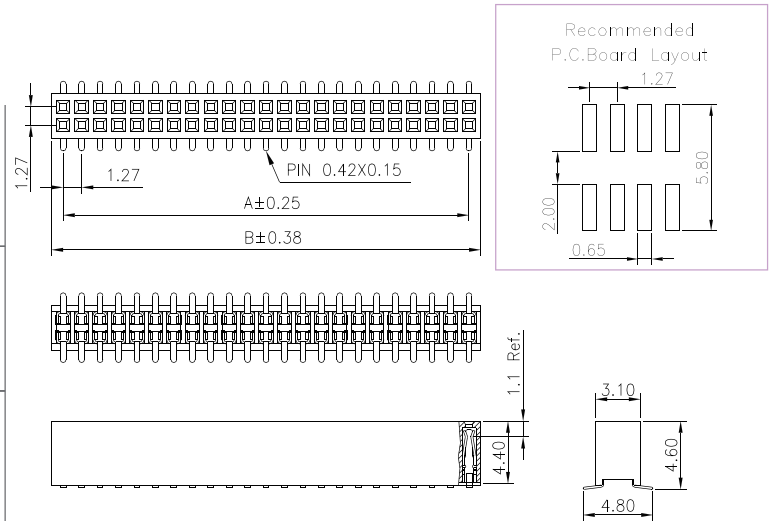
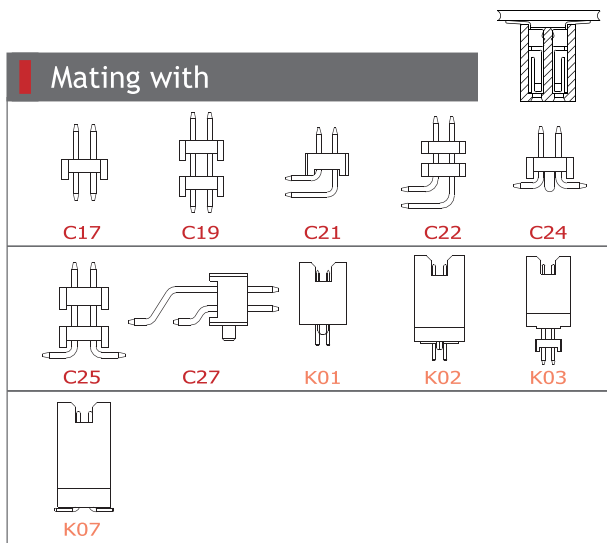
Current Rating :	1.0 Ampere
Insulation Resistance :	1000 MΩ Min
Dielectric Withstanding :	300V AC
Contact Resistance :	20 mΩ Max
Operating Temperature :	-40°C to +105°C

Materials

Contact Material :	Phosphor Bronze
Insulation Material :	High Temperature Thermoplastic, 94V-0 LCP



Mating with



P.S. : Suggested mating pin length : 2.0 ~ 4.2 mm

* For Coded Dimension Not Inside The Table, Please Refer To "Ordering Information"

No. of Pins/Row	Dimension Information			No. of Pins/Row	Dimension Information			No. of Pins/Row	Dimension Information			No. of Pins/Row	Dimension Information		
	A	B			A	B			A	B			A	B	
02	1.27	2.89		14	16.51	18.13		27	33.02	34.64		40	49.53	51.15	
03	2.54	4.16		15	17.78	19.40		28	34.29	35.91		41	50.80	52.42	
04	3.81	5.43		16	19.05	20.67		29	35.56	37.18		42	52.07	53.69	
05	5.08	6.70		17	20.32	21.94		30	36.83	38.45		43	53.34	54.96	
06	6.35	7.97		18	21.59	23.21		31	38.10	39.72		44	54.61	56.23	
07	7.62	9.24		19	22.86	24.48		32	39.37	40.99		45	55.88	57.50	
08	8.89	10.51		20	24.13	25.75		33	40.64	42.26		46	57.15	58.77	
09	10.16	11.78		21	25.40	27.02		34	41.91	43.53		47	57.42	60.04	
10	11.43	13.05		22	26.67	28.29		35	43.18	44.80		48	59.69	61.31	
11	12.70	14.32		23	27.94	29.56		36	44.45	46.07		49	60.96	62.58	
12	13.97	15.59		24	29.21	30.83		37	45.72	47.34		50	62.23	63.85	
13	15.24	16.86		25	30.48	32.10		38	46.99	48.61					
				26	31.75	33.37		39	48.26	49.88					

Ordering Information

Standard Packaging : Tube

RCSEC2	<input type="checkbox"/> <input checked="" type="checkbox"/> <input type="checkbox"/>	-	<input type="checkbox"/> <input checked="" type="checkbox"/> <input type="checkbox"/>	<input type="checkbox"/> <input checked="" type="checkbox"/> <input type="checkbox"/>	A001C1AC
	Height Option (H)		No. of Pins per Row	Standard Plating	
	<input type="checkbox"/> <input checked="" type="checkbox"/> <input type="checkbox"/>		<input type="checkbox"/> <input checked="" type="checkbox"/> <input type="checkbox"/>	<input type="checkbox"/> : Tin	
			<input type="checkbox"/> <input type="checkbox"/> <input checked="" type="checkbox"/>	<input type="checkbox"/> : Gold Flash	
				Selective Plating	
				<input type="checkbox"/> : Gold Flash / Tin	

Due to technical progress, all designs, specifications and components are subject to change without notice.

Female Header

pitch 1.27mm (0.05") | Dual row | S.M.T. | Locating peg | Polarization

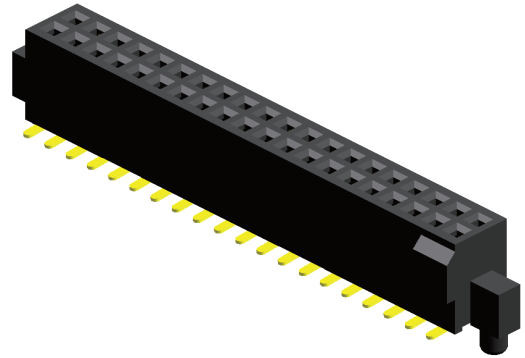
RCSEC202 Series

Specifications

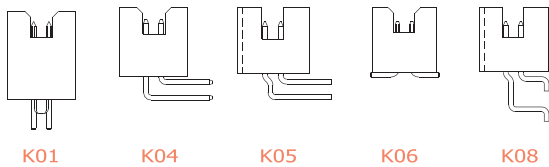
Current Rating : 1.0 Ampere
 Insulation Resistance : 1000 MΩ Min
 Dielectric Withstanding : 300V AC
 Contact Resistance : 20 mΩ Max
 Operating Temperature : -40°C to +105°C

Materials

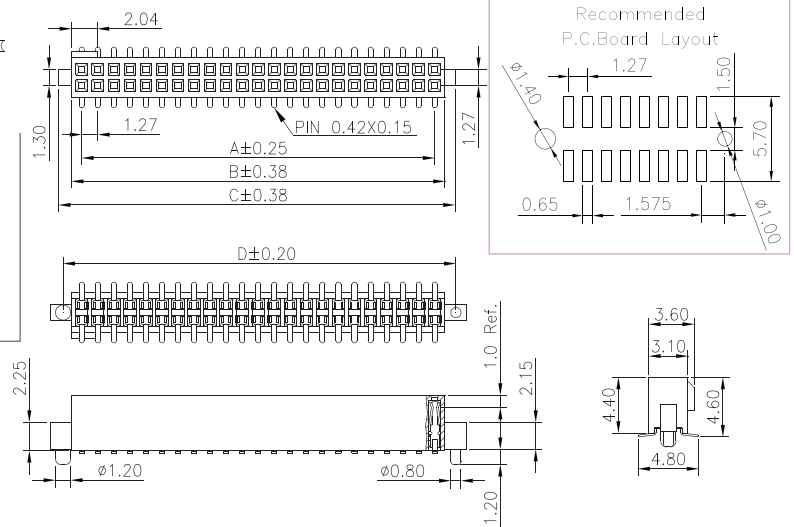
Contact Material : Phosphor Bronze
 Insulation Material : High Temperature Thermoplastic, 94V-0 LCP



Mating with



P.S. : Suggested mating pin length : 2.0 ~ 4.2 mm



* For Coded Dimension Not Inside The Table, Please Refer To "Ordering Information"

No. of Pins/Row	Dimension Information				No. of Pins/Row	Dimension Information				No. of Pins/Row	Dimension Information				No. of Pins/Row	Dimension Information			
	A	B	C	D		A	B	C	D		A	B	C	D		A	B	C	D
04	3.81	5.43	8.83	6.96	14	16.51	18.13	21.53	19.66	27	33.02	34.64	38.04	36.17	40	49.53	51.15	54.55	52.68
05	5.08	6.70	10.10	8.23	15	17.78	19.40	22.80	20.93	28	34.29	35.91	39.31	37.44	41	50.80	52.42	55.82	53.95
06	6.35	7.97	11.37	9.05	16	19.05	20.67	24.07	22.20	29	35.56	37.18	40.58	38.71	42	52.07	53.69	57.09	55.22
07	7.62	9.24	12.64	10.77	17	20.32	21.94	25.34	23.47	30	36.83	38.45	41.85	39.98	43	53.34	54.96	58.36	56.49
08	8.89	10.51	13.91	12.04	18	21.59	23.21	26.61	24.74	31	38.10	39.72	43.12	41.25	44	54.61	56.23	59.63	57.76
09	10.16	11.78	15.18	13.31	19	22.86	24.48	27.88	26.01	32	39.37	40.99	44.39	42.52	45	55.88	57.50	60.90	59.03
10	11.43	13.05	16.45	14.58	20	24.13	25.75	29.15	27.28	33	40.64	42.26	45.66	43.79	46	57.15	58.77	62.17	60.30
11	12.70	14.32	17.72	15.85	21	25.40	27.02	30.42	28.55	34	41.91	43.53	46.93	45.06	47	58.42	60.04	63.44	61.57
12	13.97	15.59	18.99	17.12	22	26.67	28.29	31.69	29.82	35	43.18	44.80	48.20	46.33	48	59.69	61.31	64.71	62.84
13	15.24	16.86	20.26	18.39	23	27.94	29.56	32.96	31.09	36	44.45	46.07	49.47	47.60	49	60.96	62.58	65.98	64.11
					24	29.21	30.83	34.23	32.36	37	45.72	47.34	50.74	48.87	50	62.23	63.85	67.25	65.38
					25	30.48	32.10	35.50	33.63	38	46.99	48.61	52.01	50.14					
					26	31.75	33.37	36.77	34.90	39	48.26	49.88	53.28	51.41					

Ordering Information

Standard Packaging : Tube

RCSEC2 - B001C1AC
 Height Option (H) No. of Pins per Row Standard Plating : Gold Flash
 Selective Plating : Tin
 : Gold Flash / Tin

Due to technical progress, all designs, specifications and components are subject to change without notice.

Female header

pitch 1.27mm (0.05") | Dual row | S.M.T. | Locating peg

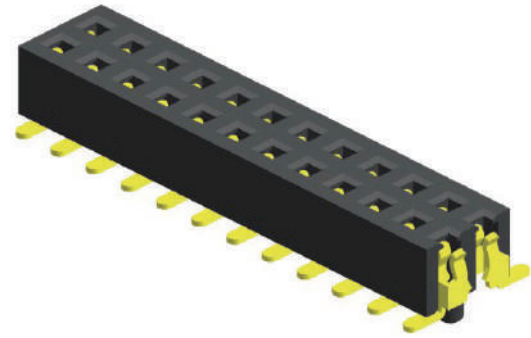
RCSEC203 Series

Specifications

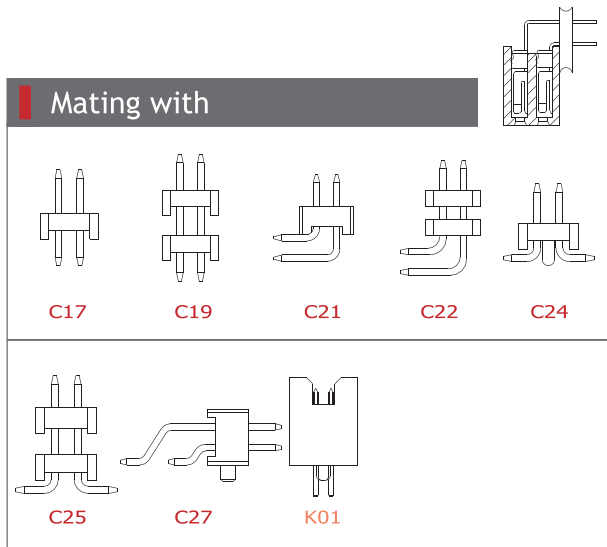
Current Rating :	1.0 Ampere
Insulation Resistance :	1000 MΩ Min
Dielectric Withstanding :	300V AC
Contact Resistance :	20 mΩ Max
Operating Temperature :	-40°C to +105°C

Materials

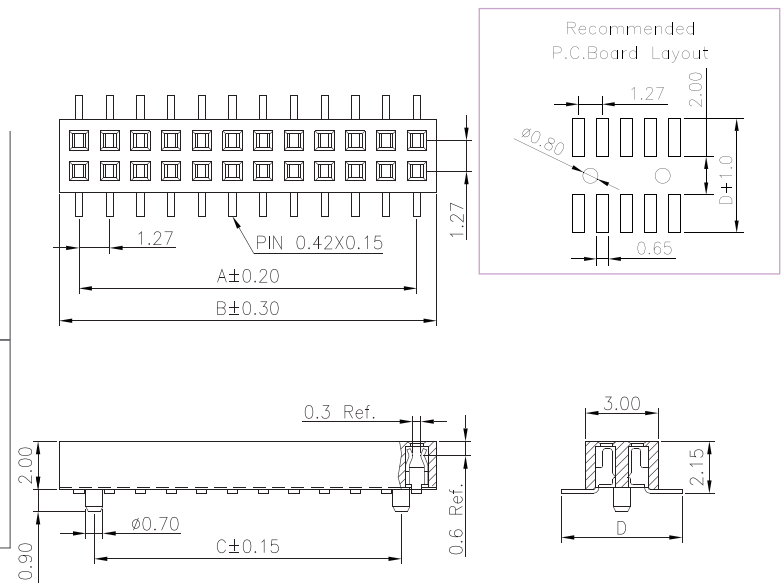
Contact Material :	Phosphor Bronze
Insulation Material :	High Temperature Thermoplastic, 94V-0 LCP



Mating with



P.S. : Suggested mating pin length : 1.5 ~ 1.8 mm



* For Coded Dimension Not Inside The Table, Please Refer To "Ordering Information"

No. of Pins/Row	Dimension Information			No. of Pins/Row	Dimension Information			No. of Pins/Row	Dimension Information			No. of Pins/Row	Dimension Information		
	A	B	C		A	B	C		A	B	C		A	B	C
03	2.54	4.05	1.27	11	12.70	14.21	11.43	21	25.40	26.91	24.13	31	38.10	39.61	36.83
04	3.81	5.32	2.54	12	13.97	15.48	12.70	22	26.67	28.18	25.40	32	39.37	40.88	38.10
05	5.08	6.59	3.81	13	15.24	16.75	13.97	23	27.94	29.45	26.67	33	40.64	42.15	39.37
06	6.35	7.86	5.08	14	16.51	18.02	15.24	24	29.21	30.72	27.94	34	41.91	43.42	40.64
07	7.62	9.13	6.35	15	17.78	19.29	16.51	25	30.48	31.99	29.21	35	43.18	44.69	41.91
08	8.89	10.40	7.62	16	19.05	20.56	17.78	26	31.75	33.26	30.48	36	44.45	45.96	43.18
09	10.16	11.67	8.89	17	20.32	21.83	19.05	27	33.02	34.53	31.75	37	45.72	47.23	44.45
10	11.43	12.94	10.16	18	21.59	23.10	20.32	28	34.29	35.80	33.02	38	46.99	48.50	45.72
				19	22.86	24.37	21.59	29	35.56	37.07	34.29	39	48.26	49.77	46.99
				20	24.13	25.64	22.86	30	36.83	38.34	35.56	40	49.53	51.04	48.26

Ordering Information

Standard Packaging : Tube

RCSEC2	<input type="text" value="XX"/>	-	<input type="text" value="XX"/>	<input type="text" value="XX"/>	<input type="text" value="X"/>	<input type="text" value="XXX"/>	C1AC
	Height Option (H)		No. of Pins per Row	Standard Plating	<input type="text" value="B"/>	Pin Length (D)	
	<input type="text" value="03"/>		<input type="text" value="03"/>	<input type="text" value="01"/> : Tin <input type="text" value="02"/> : Gold Flash		<input type="text" value="001"/> : D=5.00 <input type="text" value="003"/> : D=4.50	
			<input type="text" value="40"/>			For special length requirement Please contact our sales personnel	

Due to technical progress, all designs, specifications and components are subject to change without notice.

Female Header

pitch 1.27mm (0.05") | Dual row | S.M.T.

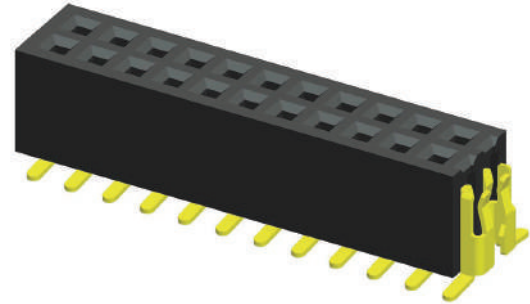
RCSEC207 Series

Specifications

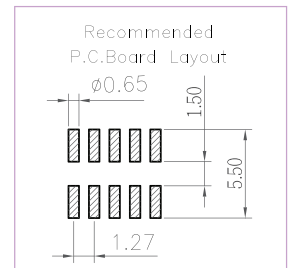
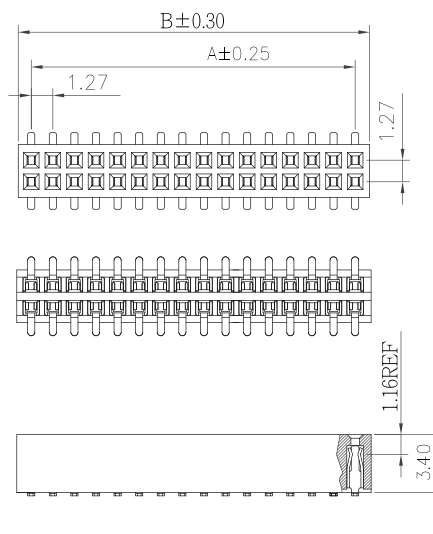
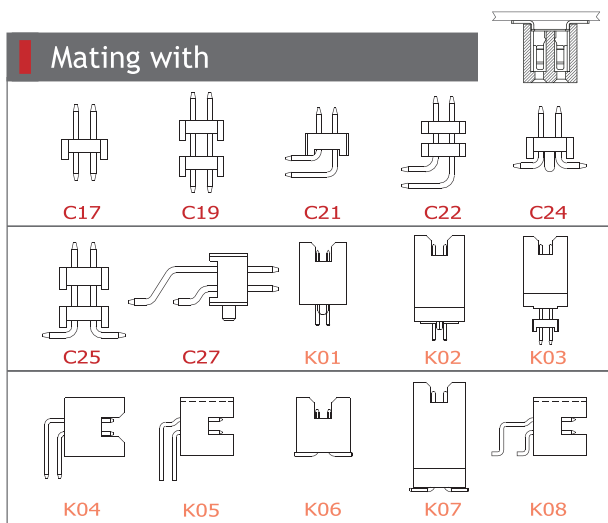
Current Rating :	1.0 Ampere
Insulation Resistance :	1000 MΩ Min
Dielectric Withstanding :	300V AC
Contact Resistance :	20 mΩ Max
Operating Temperature :	-40°C to +105°C

Materials

Contact Material :	Phosphor Bronze
Insulation Material :	High Temperature Thermoplastic, 94V-0 LCP



Mating with



P.S. : Suggested mating pin length : 2.0 ~ 3.2 mm

* For Coded Dimension Not Inside The Table, Please Refer To "Ordering Information"

No. of Pins/Row	Dimension Information		No. of Pins/Row	Dimension Information		No. of Pins/Row	Dimension Information		No. of Pins/Row	Dimension Information	
	A	B		A	B		A	B		A	B
02	1.27	2.89	14	16.51	18.13	27	33.02	34.64	40	49.53	51.15
03	2.54	4.16	15	17.78	19.40	28	34.29	35.91	41	50.80	52.42
04	3.81	5.43	16	19.05	20.67	29	35.56	37.18	42	52.07	53.69
05	5.08	6.70	17	20.32	21.94	30	36.83	38.45	43	53.34	54.96
06	6.35	7.97	18	21.59	23.21	31	38.10	39.72	44	54.61	56.23
07	7.62	9.24	19	22.86	24.48	32	39.37	40.99	45	55.88	57.50
08	8.89	10.51	20	24.13	25.75	33	40.64	42.26	46	57.15	58.77
09	10.16	11.78	21	25.40	27.02	34	41.91	43.53	47	57.42	60.04
10	11.43	13.05	22	26.67	28.29	35	43.18	44.80	48	59.69	61.31
11	12.70	14.32	23	27.94	29.56	36	44.45	46.07	49	60.96	62.58
12	13.97	15.59	24	29.21	30.83	37	45.72	47.34	50	62.23	63.85
13	15.24	16.86	25	30.48	32.10	38	46.99	48.61			
			26	31.75	33.37	39	48.26	49.88			

Ordering Information

Standard Packaging : Tube

RCSEC2	<input type="checkbox"/> <input checked="" type="checkbox"/> <input type="checkbox"/>	-	<input type="checkbox"/> <input checked="" type="checkbox"/> <input type="checkbox"/>	<input type="checkbox"/> <input checked="" type="checkbox"/> <input type="checkbox"/>	<input type="checkbox"/> <input checked="" type="checkbox"/> <input type="checkbox"/>	C1AC
	Height Option (H)		No. of Pins per Row	Standard Plating	Pin Length (C / D)	
	<input type="checkbox"/> : H=3.40		<input type="checkbox"/> <input checked="" type="checkbox"/> <input type="checkbox"/>	<input type="checkbox"/> : Gold Flash	<input type="checkbox"/> <input type="checkbox"/> <input type="checkbox"/> : C=3.60 / D=4.50	
			<input type="checkbox"/> <input type="checkbox"/> <input checked="" type="checkbox"/>	Selective Plating	For special length requirement Please contact our sales personnel	
			<input type="checkbox"/> <input type="checkbox"/> <input type="checkbox"/> <input checked="" type="checkbox"/>	<input type="checkbox"/> : Tin		
			<input type="checkbox"/> <input type="checkbox"/> <input type="checkbox"/> <input type="checkbox"/> <input checked="" type="checkbox"/>	<input type="checkbox"/> : Gold Flash / Tin		

Due to technical progress, all designs, specifications and components are subject to change without notice.

Female Header ▶

pitch 1.27mm (0.05") | Dual row | S.M.T.

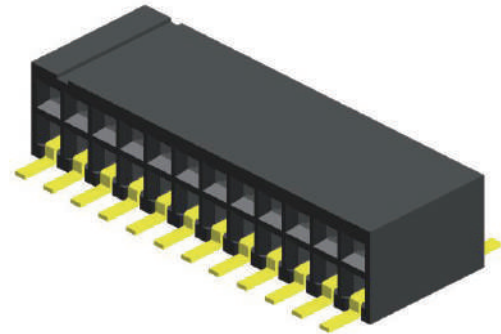
RCSEC208 Series

Specifications

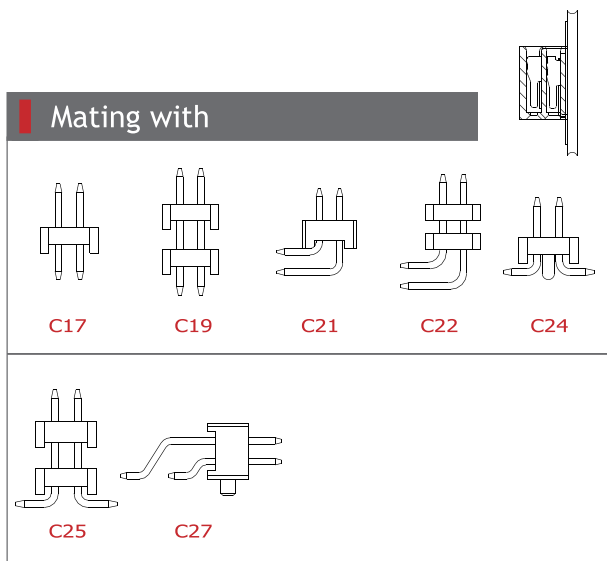
Current Rating :	1.0 Ampere
Insulation Resistance :	1000 MΩ Min
Dielectric Withstanding :	300V AC
Contact Resistance :	20 mΩ Max
Operating Temperature :	-40°C to +105°C

Materials

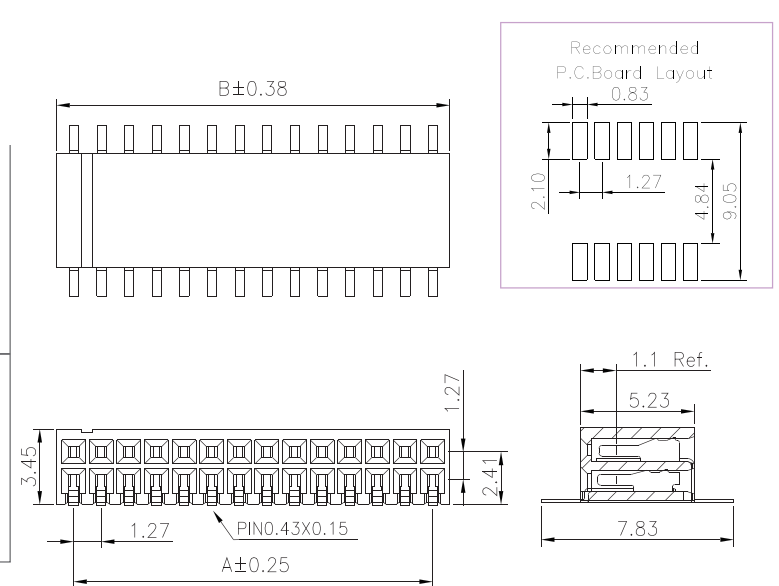
Contact Material :	Phosphor Bronze
Insulation Material :	High Temperature Thermoplastic, 94V-0 LCP



Mating with



P.S. : Suggested mating pin length : 2.0 ~ 5.0 mm



* For Coded Dimension Not Inside The Table, Please Refer To "Ordering Information"

No. of Pins/Row	Dimension Information			No. of Pins/Row	Dimension Information			No. of Pins/Row	Dimension Information			No. of Pins/Row	Dimension Information		
	A	B			A	B			A	B			A	B	
02	1.27	2.84		11	12.70	14.27		21	25.40	26.97		31	38.10	39.67	
03	2.54	4.11		12	13.97	15.54		22	26.67	28.24		32	39.37	40.94	
04	3.81	5.38		13	15.24	16.81		23	27.94	29.51		33	40.64	42.21	
05	5.08	6.65		14	16.51	18.08		24	29.21	30.78		34	41.91	43.48	
06	6.35	7.92		15	17.78	19.35		25	30.48	32.05		35	43.18	44.75	
07	7.62	9.19		16	19.05	20.62		26	31.75	33.32		36	44.45	46.02	
08	8.89	10.46		17	20.32	21.89		27	33.02	34.59		37	45.72	47.29	
09	10.16	11.73		18	21.59	23.16		28	34.29	35.86		38	46.99	48.56	
10	11.43	13.00		19	22.86	24.43		29	35.56	37.13		39	48.26	49.83	
				20	24.13	25.70		30	36.83	38.40		40	49.53	51.10	

Ordering Information

Standard Packaging : Tube

RCSEC2	<input type="text" value="XX"/>	-	<input type="text" value="XX"/>	<input type="text" value="XX"/>	A001C1AC
	Height Option (H)		No. of Pins per Row	Standard Plating	
	<input type="text" value="08"/>		<input type="text" value="02"/>	<input type="text" value="02"/> : Gold Flash	
			<input type="text" value="40"/>	Selective Plating	
				<input type="text" value="01"/> : Tin	
				<input type="text" value="05"/> : Gold Flash / Tin	

Due to technical progress, all designs, specifications and components are subject to change without notice.

Female Header

pitch 1.27x2.45mm (0.05"x0.1") | Dual row | S.M.T. | Locating peg

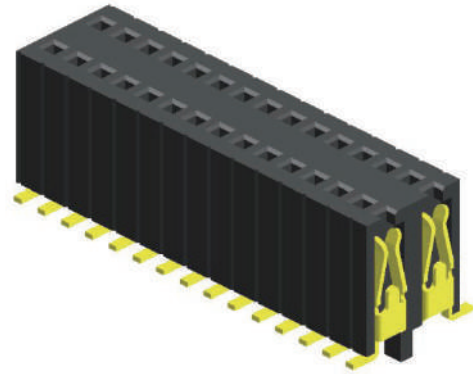
RCSEC212 Series

Specifications

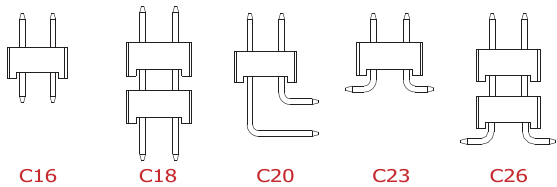
Current Rating :	1.0 Ampere
Insulation Resistance :	1000 MΩ Min
Dielectric Withstanding :	300V AC
Contact Resistance :	20 mΩ Max
Operating Temperature :	-40°C to +105°C

Materials

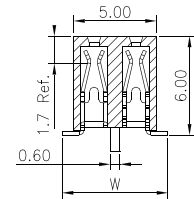
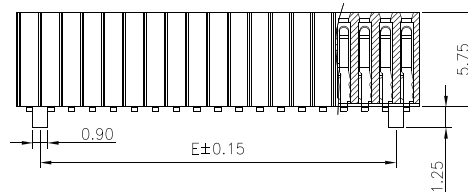
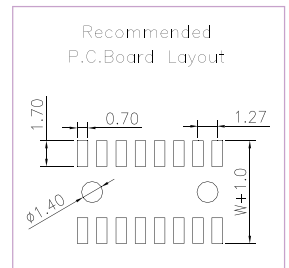
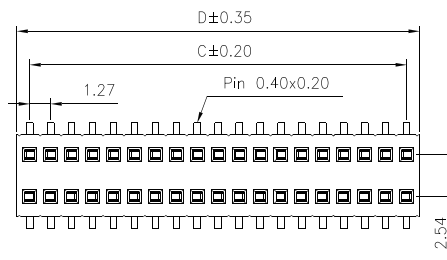
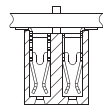
Contact Material :	Phosphor Bronze
Insulation Material :	High Temperature Thermoplastic, 94V-0 LCP



Mating with



P.S. : Suggested mating pin length : 2.7 ~ 5.5 mm



* For Coded Dimension Not Inside The Table, Please Refer To "Ordering Information"

No. of Pins/Row	Dimension Information			No. of Pins/Row	Dimension Information			No. of Pins/Row	Dimension Information			No. of Pins/Row	Dimension Information		
	C	D	E		C	D	E		C	D	E		C	D	E
03	2.54	4.11	1.27	14	16.51	18.08	15.24	27	33.02	34.59	31.75	40	49.53	51.10	48.26
04	3.81	5.38	2.54	15	17.78	19.35	16.51	28	34.29	35.86	33.02	41	50.80	52.37	49.53
05	5.08	6.65	3.81	16	19.05	20.62	17.78	29	35.56	37.13	34.29	42	52.07	53.64	50.80
06	6.35	7.92	5.08	17	20.32	21.89	19.05	30	36.83	38.40	35.56	43	53.34	54.91	52.07
07	7.62	9.19	6.35	18	21.59	23.16	20.32	31	38.10	39.67	36.83	44	54.61	56.18	53.34
08	8.89	10.46	7.62	19	22.86	24.43	21.59	32	39.37	40.94	38.10	45	55.88	57.45	54.61
09	10.16	11.73	8.89	20	24.13	25.70	22.86	33	40.64	42.21	39.37	46	57.15	58.72	55.88
10	11.43	13.00	10.16	21	25.40	26.97	24.13	34	41.91	43.48	40.64	47	57.42	59.99	57.15
11	12.70	14.27	11.43	22	26.67	28.24	25.40	35	43.18	44.75	41.91	48	59.69	61.26	57.42
12	13.97	15.54	12.70	23	27.94	29.51	26.67	36	44.45	46.02	43.18	49	60.96	62.53	59.69
13	15.24	16.81	13.97	24	29.21	30.78	27.94	37	45.72	47.29	44.45	50	62.23	63.80	60.96
				25	30.48	32.05	29.21	38	46.99	48.56	45.72				
				26	31.75	33.32	30.48	39	48.26	49.83	46.99				

Ordering Information

Standard Packaging : Tube

RCSEC2	<input checked="" type="checkbox"/> <input checked="" type="checkbox"/>	-	<input checked="" type="checkbox"/> <input checked="" type="checkbox"/>	<input checked="" type="checkbox"/> <input checked="" type="checkbox"/>	<input checked="" type="checkbox"/> <input checked="" type="checkbox"/>	<input checked="" type="checkbox"/> <input checked="" type="checkbox"/>	<input checked="" type="checkbox"/> <input checked="" type="checkbox"/>	C1AC
	Height Option (H) Standard		No. of Pins per Row	Standard Plating	Pin Length (W)			
	<input type="checkbox"/> 12		<input type="checkbox"/> 03 ? <input type="checkbox"/> 50	<input type="checkbox"/> 02 : Gold Flash	<input type="checkbox"/> 001 : W=6.40			
				Selective Plating	For special length requirement Please contact our sales personnel			
				<input type="checkbox"/> 01 : Tin				
				<input type="checkbox"/> 05 : Gold Flash / Tin				

Due to technical progress, all designs, specifications and components are subject to change without notice.

Female header ▶

1.27mm pitch (0.05") | Dual row | S.M.T. | Locating peg

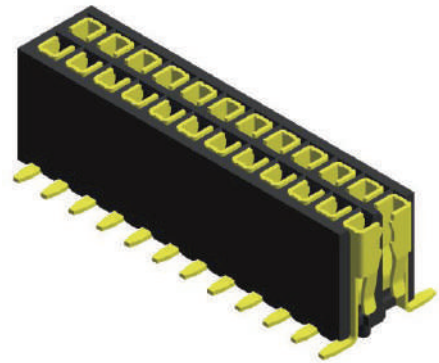
RCSEC218 Series

Specifications

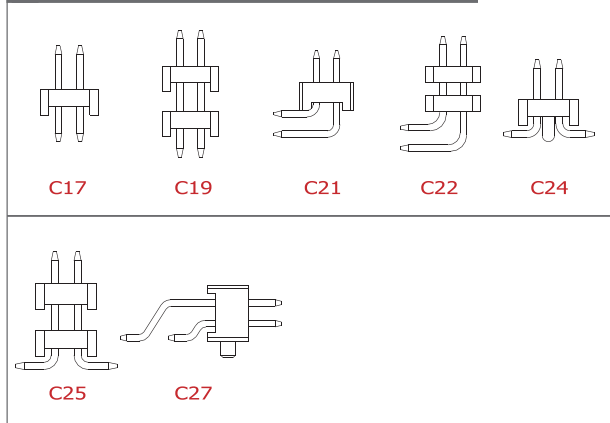
Current Rating :	1.0 Ampere
Insulation Resistance :	1000 MΩ Min
Dielectric Withstanding :	300V AC
Contact Resistance :	20 mΩ Max
Operating Temperature :	-40°C to +105°C

Materials

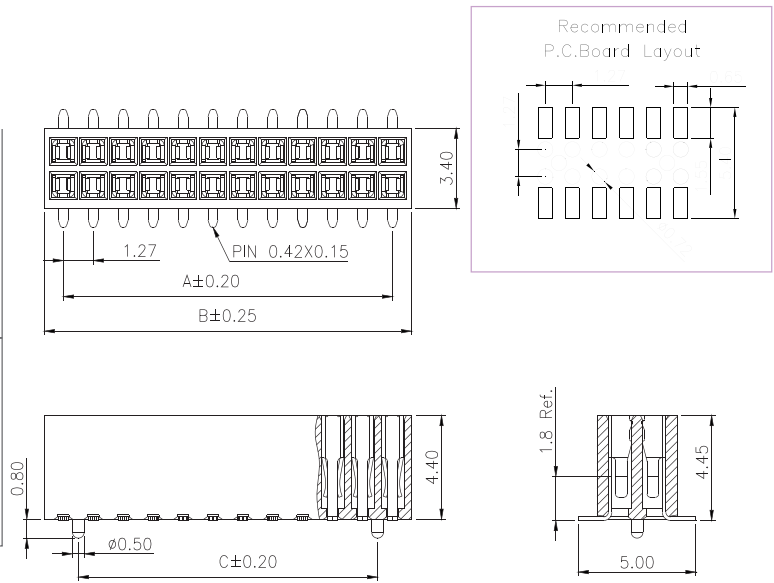
Contact Material :	Phosphor Bronze
Insulation Material :	High Temperature Thermoplastic, 94V-0 Nylon



Mating with



P.S. : Suggested mating pin length : 2.8 ~ 4.0 mm



* For Coded Dimension Not Inside The Table, Please Refer To "Ordering Information"

No. of Pins/Row	Dimension Information			No. of Pins/Row	Dimension Information			No. of Pins/Row	Dimension Information			No. of Pins/Row	Dimension Information		
	A	B	C		A	B	C		A	B	C		A	B	C
03	2.54	4.05	1.27	11	12.70	14.21	11.43	21	25.40	26.91	24.13	31	38.10	39.61	36.83
04	3.81	5.32	2.54	12	13.97	15.48	12.70	22	26.67	28.18	25.40	32	39.37	40.88	38.10
05	5.08	6.59	3.81	13	15.24	16.75	13.97	23	27.94	29.45	26.67	33	40.64	42.15	39.37
06	6.35	7.86	5.08	14	16.51	18.02	15.24	24	29.21	30.72	27.94	34	41.91	43.42	40.64
07	7.62	9.13	6.35	15	17.78	19.29	16.51	25	30.48	31.99	29.21	35	43.18	44.69	41.91
08	8.89	10.40	7.62	16	19.05	20.56	17.78	26	31.75	33.26	30.48	36	44.45	45.96	43.18
09	10.16	11.67	8.89	17	20.32	21.83	19.05	27	33.02	34.53	31.75	37	45.72	47.23	44.45
10	11.43	12.94	10.16	18	21.59	23.10	20.32	28	34.29	35.80	33.02	38	46.99	48.50	45.72
				19	22.86	24.37	21.59	29	35.56	37.07	34.29	39	48.26	49.77	46.99
				20	24.13	25.64	22.86	30	36.83	38.34	35.56	40	49.53	51.04	48.26

Ordering Information

RCSEC2 - RB001R1AC

Height Option (H) No. of Pins per Row Standard Plating : Gold Flash

Selective Plating : Tin : Gold Flash / Tin

Standard Packaging : Tube

Due to technical progress, all designs, specifications and components are subject to change without notice.

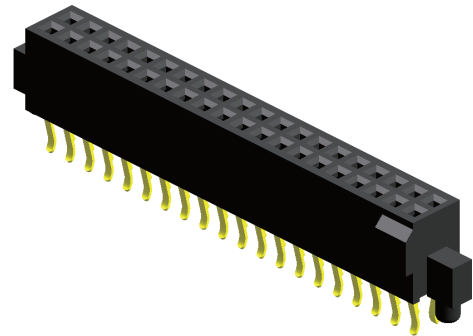
Female Header ▶

1.27mm pitch (0.05") | Dual row | Clip | Locating peg | Polarization

RCSEE202 Series

Specifications

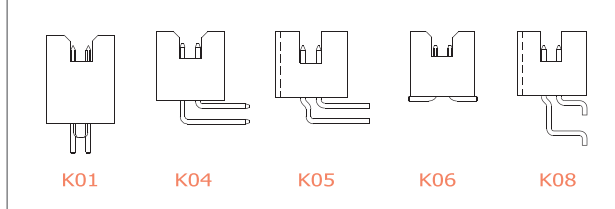
Current Rating : 1.0 Ampere
 Insulation Resistance : 1000 MΩ Min
 Dielectric Withstanding : 300V AC
 Contact Resistance : 20 mΩ Max
 Operating Temperature : -40°C to +105°C



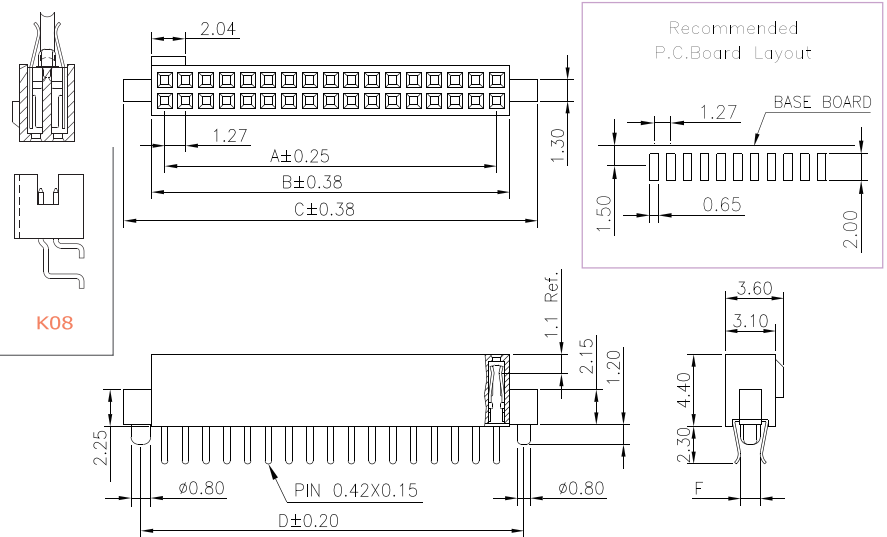
Materials

Contact Material : Phosphor Bronze
 Insulation Material : High Temperature Thermoplastic, 94V-0 LCP

Mating with



P.S. : Suggested mating pin length : 2.0 ~ 4.2 mm



* For Coded Dimension Not Inside The Table, Please Refer To "Ordering Information"

No. of Pins/Row	Dimension Information				No. of Pins/Row	Dimension Information				No. of Pins/Row	Dimension Information				No. of Pins/Row	Dimension Information			
	A	B	C	D		A	B	C	D		A	B	C	D		A	B	C	D
04	3.81	5.43	8.83	6.96	14	16.51	18.13	21.53	19.66	27	33.02	34.64	38.04	36.17	40	49.53	51.15	54.55	52.68
05	5.08	6.70	10.10	8.23	15	17.78	19.40	22.80	20.93	28	34.29	35.91	39.31	37.44	41	50.80	52.42	55.82	53.95
06	6.35	7.97	11.37	9.05	16	19.05	20.67	24.07	22.20	29	35.56	37.18	40.58	38.71	42	52.07	53.69	57.09	55.22
07	7.62	9.24	12.64	10.77	17	20.32	21.94	25.34	23.47	30	36.83	38.45	41.85	39.98	43	53.34	54.96	58.36	56.49
08	8.89	10.51	13.91	12.04	18	21.59	23.21	26.61	24.74	31	38.10	39.72	43.12	41.25	44	54.61	56.23	59.63	57.76
09	10.16	11.78	15.18	13.31	19	22.86	24.48	27.88	26.01	32	39.37	40.99	44.39	42.52	45	55.88	57.50	60.90	59.03
10	11.43	13.05	16.45	14.58	20	24.13	25.75	29.15	27.28	33	40.64	42.26	45.66	43.79	46	57.15	58.77	62.17	60.30
11	12.70	14.32	17.72	15.85	21	25.40	27.02	30.42	28.55	34	41.91	43.53	46.93	45.06	47	58.42	60.04	63.44	61.57
12	13.97	15.59	18.99	17.12	22	26.67	28.29	31.69	29.82	35	43.18	44.80	48.20	46.33	48	59.69	61.31	64.71	62.84
13	15.24	16.86	20.26	18.39	23	27.94	29.56	32.96	31.09	36	44.45	46.07	49.47	47.60	49	60.96	62.58	65.98	64.11
					24	29.21	30.83	34.23	32.36	37	45.72	47.34	50.74	48.87	50	62.23	63.85	67.25	65.38
					25	30.48	32.10	35.50	33.63	38	46.99	48.61	52.01	50.14					
					26	31.75	33.37	36.77	34.90	39	48.26	49.88	53.28	51.41					

Ordering Information

RCSEE2 - C1AC

Height Option (H) No. of Pins per Row Standard Plating : Gold Flash Pin Type (F) : F=1.20

: Tin : F=1.00

Selective Plating : Gold Flash / Tin For special length requirement Please contact our sales personnel

Standard Packaging : Tube

Due to technical progress, all designs, specifications and components are subject to change without notice.

Box header ▶

1.27mm pitch (0.05") | Dip | Locating peg | Polarization

RGPEA243

?

RGPEA251
RGPEA253
RGPEA254
RGPEA255
RGPEA258
RGPEA259
RGPEA262
RGPEA264

?

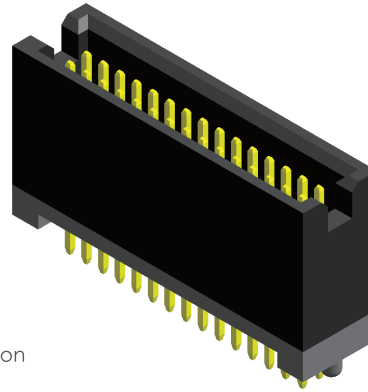
RGPEA268 Series

Specifications

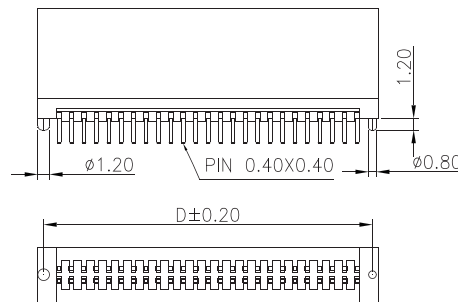
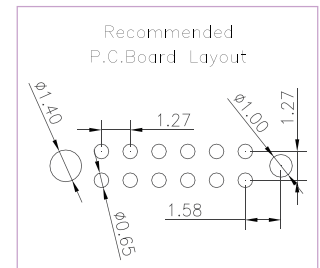
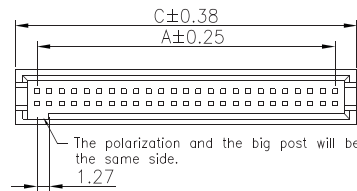
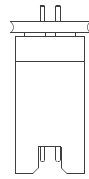
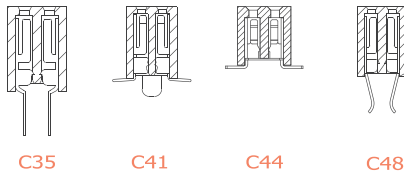
Current Rating :	1.0 Ampere
Insulation Resistance :	1000 MΩ Min
Dielectric Withstanding :	300V AC
Contact Resistance :	20 mΩ Max
Operating Temperature :	-40°C to +105°C

Materials

Contact Material :	Phosphor Bronze
Insulation Material :	High Temperature Thermoplastic, 94V-0 Nylon



Mating with



* For Coded Dimension Not Inside The Table, Please Refer To "Ordering Information"

No. of Pins/Row	Dimension Information			No. of Pins/Row	Dimension Information			No. of Pins/Row	Dimension Information			No. of Pins/Row	Dimension Information		
	A	C	D		A	C	D		A	C	D		A	C	D
05	5.08	9.55	8.23	11	12.70	17.17	15.85	21	25.40	29.87	28.55	31	38.10	42.57	41.25
06	6.35	10.82	9.50	12	13.97	18.44	17.12	22	26.67	31.14	29.82	32	39.37	43.84	42.52
07	7.62	12.09	10.77	13	15.24	19.71	18.39	23	27.94	32.41	31.09	33	40.64	45.11	43.79
08	8.89	13.36	12.04	14	16.51	20.98	19.66	24	29.21	33.68	32.36	34	41.91	46.38	45.06
09	10.16	14.63	13.31	15	17.78	22.25	20.93	25	30.48	34.95	33.63	35	43.18	47.65	46.33
10	11.43	15.90	14.58	16	19.05	23.52	22.20	26	31.75	36.22	34.90	36	44.45	48.92	47.60
				17	20.32	24.79	23.47	27	33.02	37.49	36.17	37	45.72	50.19	48.87
				18	21.59	26.06	24.74	28	34.29	38.76	37.44	38	46.99	51.46	50.14
				19	22.86	27.33	26.01	29	35.56	40.03	38.71	39	48.26	52.73	51.41
				20	24.13	28.60	27.28	30	36.83	41.30	39.98	40	49.53	54.00	52.68

Ordering Information

Standard Packaging : Tube

RGPEA2	<input type="checkbox"/> <input type="checkbox"/>	-	<input type="checkbox"/> <input type="checkbox"/>	<input type="checkbox"/> <input type="checkbox"/>	<input type="checkbox"/> <input type="checkbox"/> <input type="checkbox"/>	R1AC
	Height Option (H) Standard		No. of Pins per Row	Standard Plating	<input type="checkbox"/> <input type="checkbox"/> <input type="checkbox"/> <input type="checkbox"/>	Pin Length (B / W)
	<input type="checkbox"/> 3 : H= 9.20 <input type="checkbox"/> 4 : H= 7.00		<input type="checkbox"/> 5	<input type="checkbox"/> 1 : Tin RGPEA243...B	<input type="checkbox"/> B	<input type="checkbox"/> 001 : B=11.5 / W=2.25
	Height Option (H) Selective		?	<input type="checkbox"/> 2 : Gold Flash RGPEA244...B		<input type="checkbox"/> 001 : B=9.30 / W=2.25
	<input type="checkbox"/> 5 : H= 8.70 <input type="checkbox"/> 6 : H= 9.00		<input type="checkbox"/> 4	Selective Plating		For special length requirement
	<input type="checkbox"/> 7 : H=13.60 <input type="checkbox"/> 8 : H=12.20			<input type="checkbox"/> 5 : Gold Flash / Tin		Please contact our sales personnel
	<input type="checkbox"/> 9 : H=13.20 <input type="checkbox"/> 9 : H=16.90					
	<input type="checkbox"/> 8 : H=12.10 <input type="checkbox"/> 2 : H= 8.40					
	<input type="checkbox"/> 9 : H= 7.40 <input type="checkbox"/> 4 : H= 8.20					
	<input type="checkbox"/> 0 : H=10.20 <input type="checkbox"/> 5 : H=15.30					
	<input type="checkbox"/> 1 : H= 7.60 <input type="checkbox"/> 6 : H=11.50					
	<input type="checkbox"/> 3 : H= 8.30 <input type="checkbox"/> 7 : H=15.60					
	<input type="checkbox"/> 4 : H= 9.50 <input type="checkbox"/> 8 : H=16.60					

Due to technical progress, all designs, specifications and components are subject to change without notice.

Box header ▶

1.27mm pitch (0.05") | R/A | Polarization

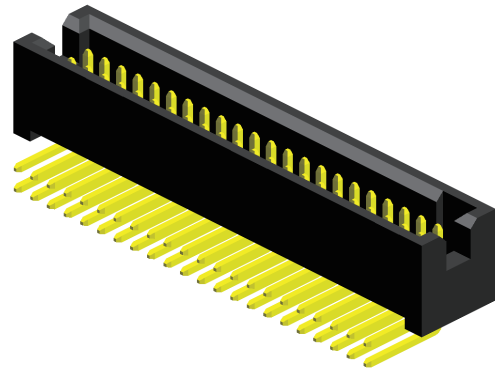
RGPEB241
RGPEB242 Series

Specifications

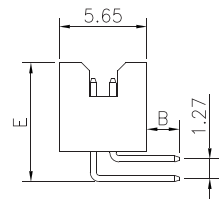
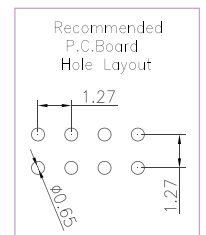
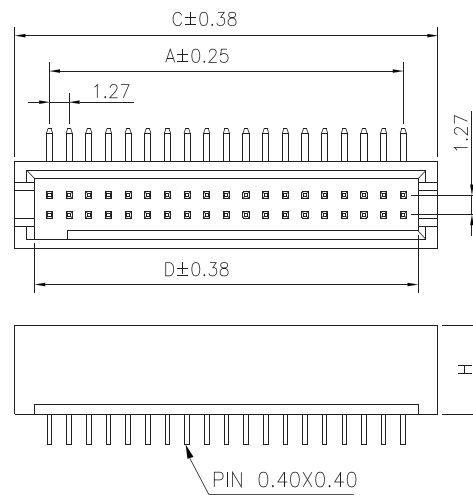
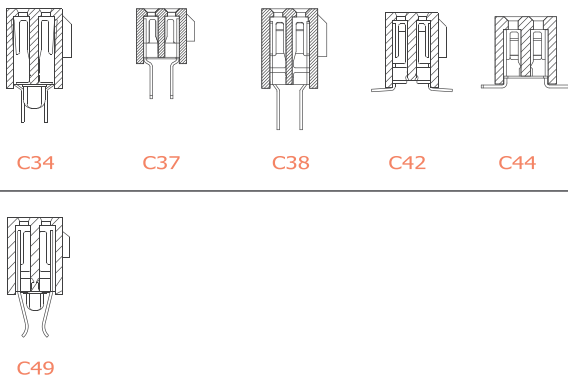
Current Rating : 1.0 Ampere
 Insulation Resistance : 1000 MΩ Min
 Dielectric Withstanding : 300V AC
 Contact Resistance : 20 mΩ Max
 Operating Temperature : -40°C to +105°C

Materials

Contact Material : Brass
 Insulation Material : High Temperature Thermoplastic, 94V-0 Nylon



Mating with



* For Coded Dimension Not Inside The Table, Please Refer To "Ordering Information"

No. of Pins/Row	Dimension Information			No. of Pins/Row	Dimension Information			No. of Pins/Row	Dimension Information			No. of Pins/Row	Dimension Information		
	A	C	D		A	C	D		A	C	D		A	C	D
03	2.51	7.01	5.69	14	16.51	20.98	19.66	27	33.02	37.49	36.17	40	49.53	54.00	52.68
04	3.78	5.28	6.96	15	17.78	22.25	20.93	28	34.29	38.76	37.44	41	50.80	55.27	53.95
05	5.08	9.55	8.23	16	19.05	23.52	22.20	29	35.56	40.03	38.71	42	52.07	56.54	55.22
06	6.35	10.82	9.50	17	20.32	24.79	23.47	30	36.83	41.30	39.98	43	53.34	57.81	56.49
07	7.62	12.09	10.77	18	21.59	26.06	24.74	31	38.10	42.57	41.25	44	54.61	59.08	57.76
08	8.89	13.36	12.04	19	22.86	27.33	26.01	32	39.37	43.84	42.52	45	55.88	60.35	59.03
09	10.16	14.63	13.31	20	24.13	28.60	27.28	33	40.64	45.11	43.79	46	57.15	61.62	60.30
10	11.43	15.90	14.58	21	25.40	29.87	28.55	34	41.91	46.38	45.06	47	57.42	62.89	61.57
11	12.70	17.17	15.85	22	26.67	31.14	29.82	35	43.18	47.65	46.33	48	59.69	64.16	62.84
12	13.97	18.44	17.12	23	27.94	32.41	31.09	36	44.45	48.92	47.60	49	60.96	65.43	64.11
13	15.24	19.71	18.39	24	29.21	33.68	32.36	37	45.72	50.19	48.87	50	62.23	66.70	65.38
				25	30.48	34.95	33.63	38	46.99	51.46	50.14				
				26	31.75	36.22	34.90	39	48.26	52.73	51.41				

Ordering Information

RGPEB2	<input checked="" type="checkbox"/> <input checked="" type="checkbox"/>	-	<input checked="" type="checkbox"/> <input checked="" type="checkbox"/>	<input checked="" type="checkbox"/> <input checked="" type="checkbox"/>	<input checked="" type="checkbox"/> <input checked="" type="checkbox"/>	<input checked="" type="checkbox"/> <input checked="" type="checkbox"/>	<input checked="" type="checkbox"/> <input checked="" type="checkbox"/>	R1BC
	Height Option (H)		No. of Pins per Row	Standard Plating		Pin Length (B / E)		
	<input type="checkbox"/> 41 : H=5.70		<input type="checkbox"/> 03	<input type="checkbox"/> 02 : Gold Flash	RGPEB241...A	<input type="checkbox"/> 002 : B=2.75 / E=7.67		
	<input type="checkbox"/> 42 : H=7.30		<input type="checkbox"/> ?		RGPEB242...A	<input type="checkbox"/> 001 : B=2.75 / E=9.27		
			<input type="checkbox"/> 50	Selective Plating				
				<input type="checkbox"/> 01 : Tin				
				<input type="checkbox"/> 05 : Gold Flash / Tin				

Standard Packaging : Tube

For special length requirement
Please contact our sales personnel

Due to technical progress, all designs, specifications and components are subject to change without notice.

Box header ▶

1.27mm pitch (0.05") | R/A | Polarization

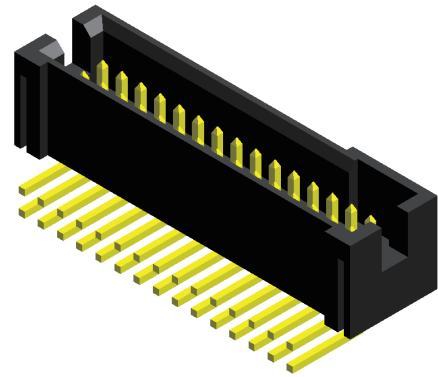
RGPEB252 Series

Specifications

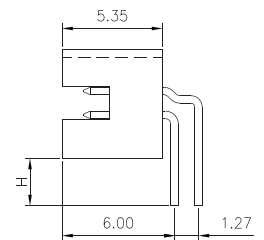
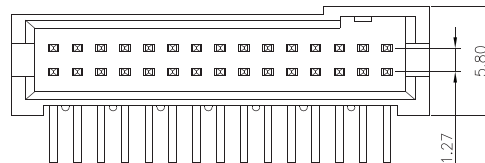
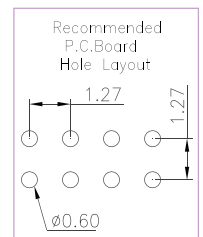
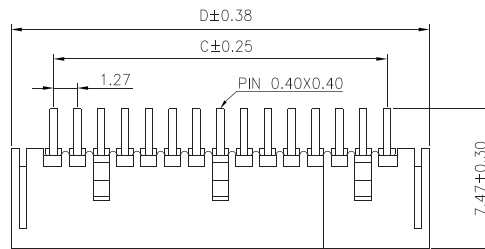
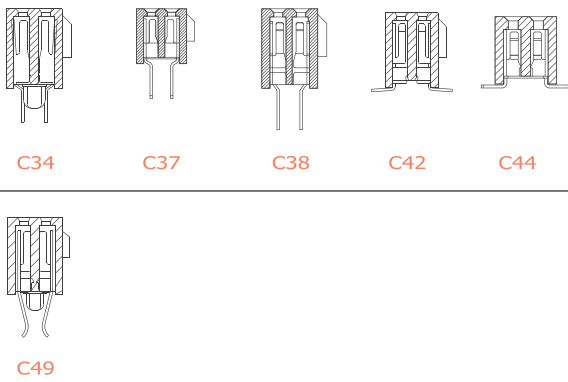
Current Rating : 1.0 Ampere
 Insulation Resistance : 1000 MΩ Min
 Dielectric Withstanding : 300V AC
 Contact Resistance : 20 mΩ Max
 Operating Temperature : -40°C to +105°C

Materials

Contact Material : Phosphor Bronze
 Insulation Material : High Temperature Thermoplastic, 94V-0 LCP



Mating with



* For Coded Dimension Not Inside The Table, Please Refer To "Ordering Information"

No. of Pins/Row	Dimension Information			No. of Pins/Row	Dimension Information			No. of Pins/Row	Dimension Information		
	C	D			C	D			C	D	
								22	26.67	31.19	
05	5.08	9.60		15	17.78	22.30		25	30.48	35.00	
06	6.35	10.87									
08	8.89	13.41									
10	11.43	15.95		20	24.13	28.65		30	36.83	41.35	

Ordering Information

RGPEB2 - C1AC

Height Option (H) No. of Pins per Row Standard Plating : Tin : Gold Flash Selective Plating : Gold Flash / Tin

Pin Length (H) : H=1.75

For special length requirement Please contact our sales personnel

Due to technical progress, all designs, specifications and components are subject to change without notice.

Box header ▶

1.27mm pitch (0.05") | S.M.T. | Locating peg | Polarization

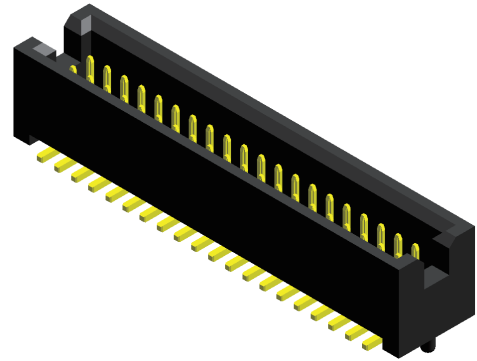
RGPEC241 Series

Specifications

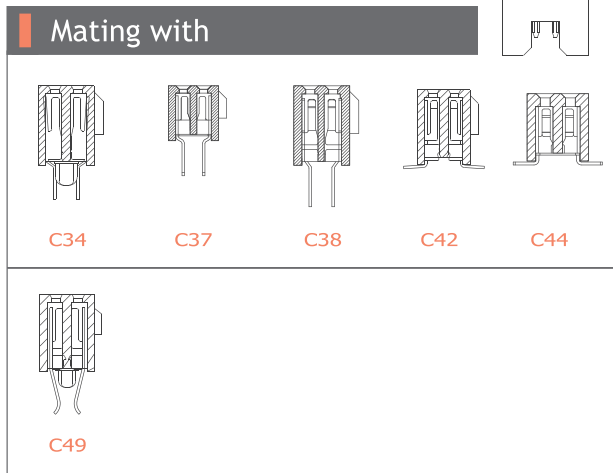
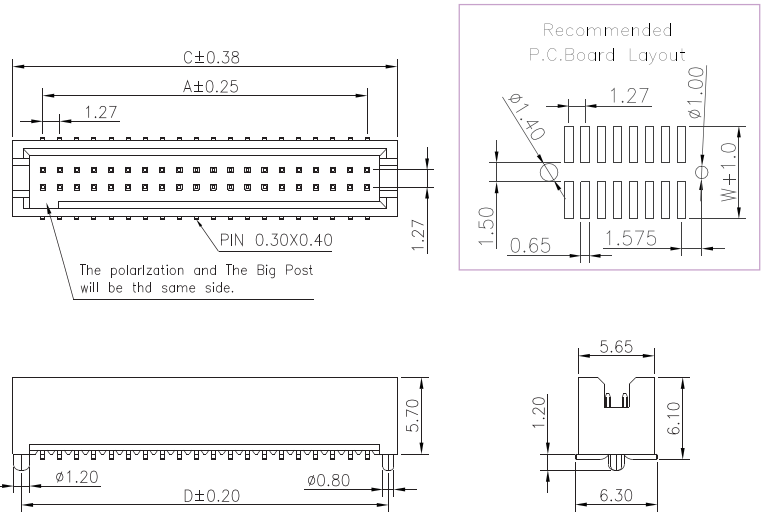
Current Rating : 1.0 Ampere
 Insulation Resistance : 1000 MΩ Min
 Dielectric Withstanding : 300V AC
 Contact Resistance : 20 mΩ Max
 Operating Temperature : -40°C to +105°C

Materials

Contact Material : Phosphor Bronze
 Insulation Material : High Temperature Thermoplastic, 94V-0 LCP



Mating with

No. of Pins/Row	Dimension Information			No. of Pins/Row	Dimension Information			No. of Pins/Row	Dimension Information			No. of Pins/Row	Dimension Information		
	A	C	D		A	C	D		A	C	D		A	C	D
03	2.51	7.01	5.69	14	16.51	20.98	19.66	27	33.02	37.49	36.17	40	49.53	54.00	52.68
04	3.78	5.28	6.96	15	17.78	22.25	20.93	28	34.29	38.76	37.44	41	50.80	55.27	53.95
05	5.08	9.55	8.23	16	19.05	23.52	22.20	29	35.56	40.03	38.71	42	52.07	56.54	55.22
06	6.35	10.82	9.50	17	20.32	24.79	23.47	30	36.83	41.30	39.98	43	53.34	57.81	56.49
07	7.62	12.09	10.77	18	21.59	26.06	24.74	31	38.10	42.57	41.25	44	54.61	59.08	57.76
08	8.89	13.36	12.04	19	22.86	27.33	26.01	32	39.37	43.84	42.52	45	55.88	60.35	59.03
09	10.16	14.63	13.31	20	24.13	28.60	27.28	33	40.64	45.11	43.79	46	57.15	61.62	60.30
10	11.43	15.90	14.58	21	25.40	29.87	28.55	34	41.91	46.38	45.06	47	57.42	62.89	61.57
11	12.70	17.17	15.85	22	26.67	31.14	29.82	35	43.18	47.65	46.33	48	59.69	64.16	62.84
12	13.97	18.44	17.12	23	27.94	32.41	31.09	36	44.45	48.92	47.60	49	60.96	65.43	64.11
13	15.24	19.71	18.39	24	29.21	33.68	32.36	37	45.72	50.19	48.87	50	62.23	66.70	65.38
				25	30.48	34.95	33.63	38	46.99	51.46	50.14				
				26	31.75	36.22	34.90	39	48.26	52.73	51.41				

Ordering Information

RGPEC2 - B001R1AC

Height Option (H)

No. of Pins per Row ?

Standard Plating : Gold Flash

Selective Plating : Tin : Gold Flash / Tin

Standard Packaging : Tube

Due to technical progress, all designs, specifications and components are subject to change without notice.

Box header ▶

1.27mm pitch (0.05") | S.M.T. | Locating peg | Polarization

RGPEC243

?

RGPEC251

RGPEC253

RGPEC254

RGPEC255

RGPEC258

RGPEC259

RGPEC262

RGPEC264

?

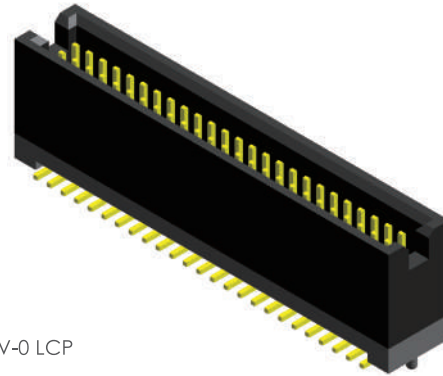
RGPEC268 Series

Specifications

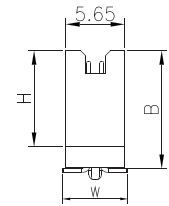
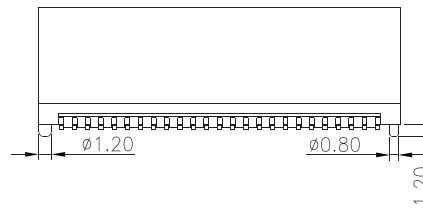
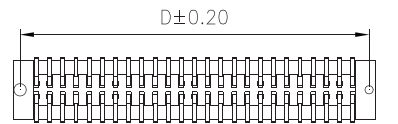
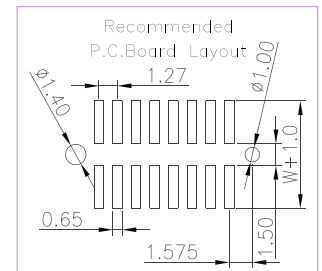
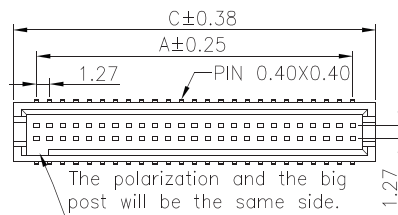
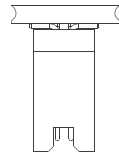
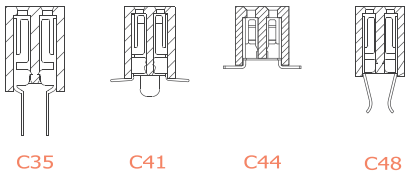
Current Rating :	1.0 Ampere
Insulation Resistance :	1000 MΩ Min
Dielectric Withstanding :	300V AC
Contact Resistance :	20 mΩ Max
Operating Temperature :	-40°C to +105°C

Materials

Contact Material :	Phosphor Bronze
Insulation Material :	High Temperature Thermoplastic, 94V-0 LCP



Mating with



* For Coded Dimension Not Inside The Table, Please Refer To "Ordering Information"

No. of Pins/Row	Dimension Information			No. of Pins/Row	Dimension Information			No. of Pins/Row	Dimension Information			No. of Pins/Row	Dimension Information		
	A	C	D		A	C	D		A	C	D		A	C	D
05	5.08	9.55	8.23	11	12.70	17.17	15.85	21	25.40	29.87	28.55	31	38.10	42.57	41.25
06	6.35	10.82	9.50	12	13.97	18.44	17.12	22	26.67	31.14	29.82	32	39.37	43.84	42.52
07	7.62	12.09	10.77	13	15.24	19.71	18.39	23	27.94	32.41	31.09	33	40.64	45.11	43.79
08	8.89	13.36	12.04	14	16.51	20.98	19.66	24	29.21	33.68	32.36	34	41.91	46.38	45.06
09	10.16	14.63	13.31	15	17.78	22.25	20.93	25	30.48	34.95	33.63	35	43.18	47.65	46.33
10	11.43	15.90	14.58	16	19.05	23.52	22.20	26	31.75	36.22	34.90	36	44.45	48.92	47.60
				17	20.32	24.79	23.47	27	33.02	37.49	36.17	37	45.72	50.19	48.87
				18	21.59	26.06	24.74	28	34.29	38.76	37.44	38	46.99	51.46	50.14
				19	22.86	27.33	26.01	29	35.56	40.03	38.71	39	48.26	52.73	51.41
				20	24.13	28.60	27.28	30	36.83	41.30	39.98	40	49.53	54.00	52.68

Ordering Information

RGPEC2	<input type="checkbox"/> <input type="checkbox"/>	-	<input type="checkbox"/> <input type="checkbox"/>	<input type="checkbox"/> <input type="checkbox"/>	<input type="checkbox"/> <input type="checkbox"/> <input type="checkbox"/>	<input type="checkbox"/> <input type="checkbox"/> <input type="checkbox"/> <input type="checkbox"/>	C1AC
	Height Option (H) Standard		No. of Pins per Row	Standard Plating	<input type="checkbox"/> B	Pin Length (B / W)	
	<input type="checkbox"/> 43 : H= 9.20 <input type="checkbox"/> 44 : H= 7.00		<input type="checkbox"/> 05	<input type="checkbox"/> 01 : Tin RGPEC243...B		<input type="checkbox"/> 001 : B=11.2 / W=6.30	
	Height Option (H) Selective		?	<input type="checkbox"/> 02 : Gold Flsh RGPEC244...B		<input type="checkbox"/> 002 : B=9.00 / W=6.30	
	<input type="checkbox"/> 45 : H= 8.70 <input type="checkbox"/> 55 : H= 9.00		<input type="checkbox"/> 40	Selective Plating		For special length requirement	
	<input type="checkbox"/> 46 : H=13.60 <input type="checkbox"/> 58 : H=12.20			<input type="checkbox"/> 05 : Gold Flash / Tin		Please contact our sales personnel	
	<input type="checkbox"/> 47 : H=13.20 <input type="checkbox"/> 59 : H=16.90						
	<input type="checkbox"/> 48 : H=12.10 <input type="checkbox"/> 62 : H= 8.40						
	<input type="checkbox"/> 49 : H= 7.40 <input type="checkbox"/> 64 : H= 8.20						
	<input type="checkbox"/> 50 : H=10.20 <input type="checkbox"/> 65 : H=15.30						
	<input type="checkbox"/> 51 : H= 7.60 <input type="checkbox"/> 66 : H=11.50						
	<input type="checkbox"/> 53 : H= 8.30 <input type="checkbox"/> 67 : H=15.60						
	<input type="checkbox"/> 54 : H= 9.50 <input type="checkbox"/> 68 : H=16.60						

Due to technical progress, all designs, specifications and components are subject to change without notice.

